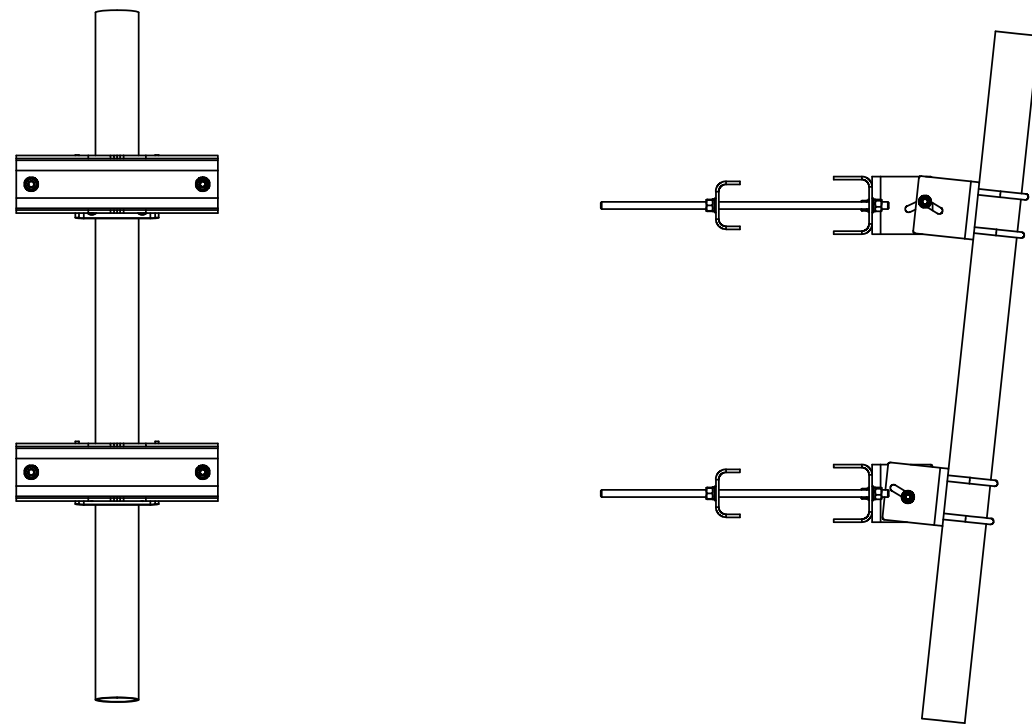
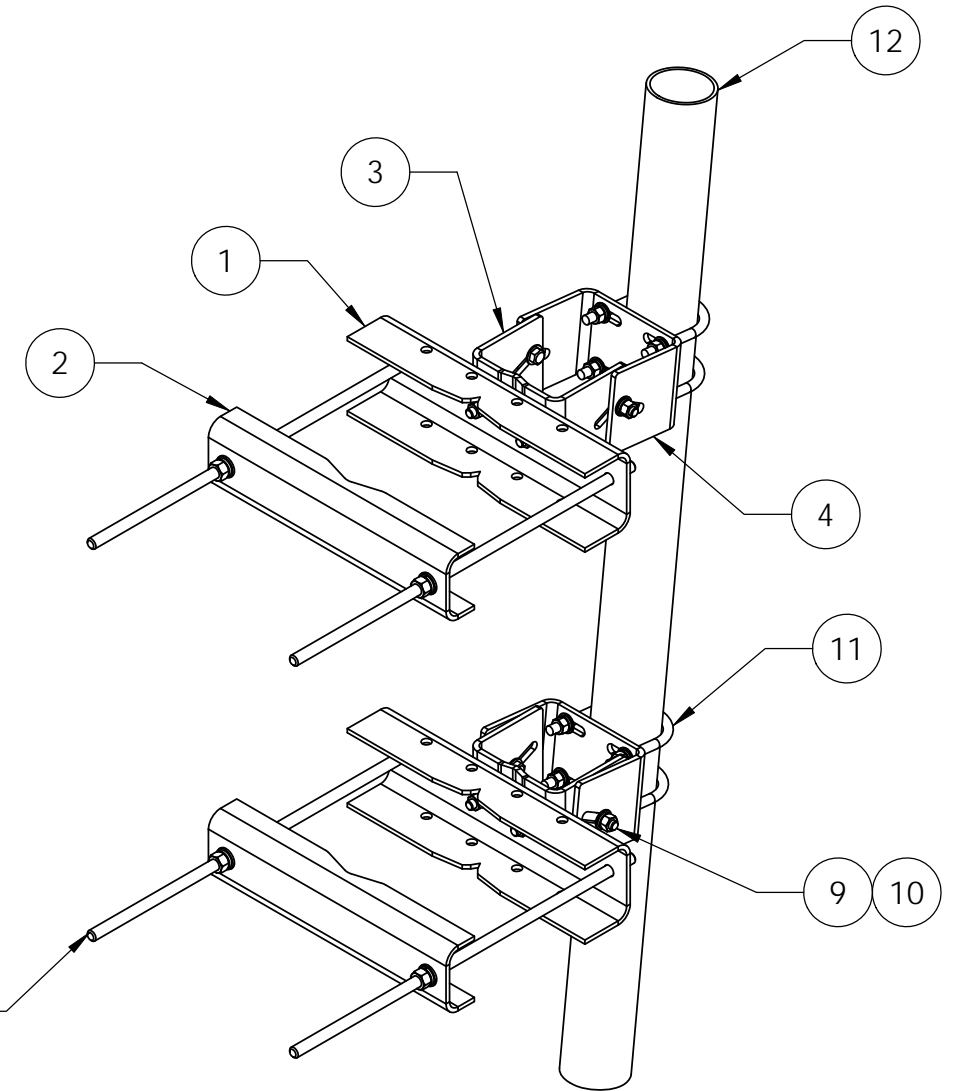


ITEM	PART NO.	DESCRIPTION	QTY.	WEIGHT
1	SMU201601	Large Saddle Mount, 16" Tower Leg	2	22.42 LBS
2	SMU201602	CLAMP PLATE	2	15.48 LBS
3	MTC9851.01	INNER CHANNEL	2	11.41 LBS
4	MTC9851.02	OUTER CHANNEL	2	11.78 LBS
5	MT38430B7	3/4" X 30" GALV Threaded Rod, Grade B7	4	3.76 LBS
6	GWF-06	3/4" GALV FLAT WASHER	8	0.04 LBS
7	GWL-06	3/4" GALV LOCK WASHER	8	0.01 LBS
8	GN-06	3/4" GALV HEX NUT	8	0.02 LBS
9	GB-0520A	5/8" X 2" GALV BOLT KIT (A325)	8	0.13 LBS
10	GWF-05	5/8" GALV FLAT WASHER	16	0.02 LBS
11	GUB-5XXX	5/8" GALV U-BOLT(SEE TABLE)	4	-
12	MT-654	Ø 4.5" O.D. X 72" SCH 40 PIPE	1	-

REVISIONS				
REV.	ZONE	DESCRIPTION	BY	DATE
A		INITIAL RELEASE	MSM	07/23/10


PML-SC SERIES TABLE

PART NUMBER	PLAIN END PIPE	PIPE DESCRIPTION	U-BOLT	U-BOLT DESCRIPTION	TOTAL WEIGHT
PML-SC2-B	N/A	N/A	GUB-52440	5/8" X 2-1/2" X 4" GALV U-BOLT	147.19 LBS
PML-SC2-72	MT-651	PLAIN END PIPE 2-3/8" OD X 72"	GUB-52440	5/8" X 2-1/2" X 4" GALV U-BOLT	168.99 LBS
PML-SC2-96	MT-651-96	PLAIN END PIPE 2-3/8" OD X 96"	GUB-52440	5/8" X 2-1/2" X 4" GALV U-BOLT	176.52 LBS
PML-SC4-B	N/A	N/A	GUB-5456	5/8" X 4-5/8" X 6-1/2" GALV U-BOLT	149.30 LBS
PML-SC4-63	MT-653-63	PLAIN END PIPE 4-1/2" OD X 63"	GUB-5456	5/8" X 4-5/8" X 6-1/2" GALV U-BOLT	214.28 LBS
PML-SC4-96	MT-654-96	PLAIN END PIPE 4-1/2" OD X 96"	GUB-5456	5/8" X 4-5/8" X 6-1/2" GALV U-BOLT	235.94 LBS



NOTES:

1. ALL METRIC DIMENSIONS ARE IN BRACKETS.
2. FITS TOWER LEGS UPTO 16" ROUND OR 60° ANGLE, 12" 90° ANGLE.

<small>These drawings and specifications are the proprietary property of ANDREW CORPORATION and may be used only for the specific purpose authorized in writing by Andrew Corporation.</small> ALL DIMENSIONS ARE IN INCHES U.O.S. TOLERANCES UNLESS OTHERWISE SPECIFIED: .X = ± .12 ANGLES ±2° .XX = ± .06 FRACTIONS ±1/32 .XXX = ± .03 REMOVE BURRS AND BREAK EDGES .005 DO NOT SCALE THIS PRINT	DRAWN BY: MSM	SHEET: 1 of 1	PART NUMBER: PML-SC Series
	CHECKED BY: TP	SCALE: NTS	DESCRIPTION: Universal Pipe Mount Large
	DATE: 07/12/10	MATERIAL: A36, A53	DRAWING TYPE: ASSEMBLY DRAWING
	REVISION: A	FINISH: GALV A123	 WESTCHESTER, IL. 60154 U.S.A.