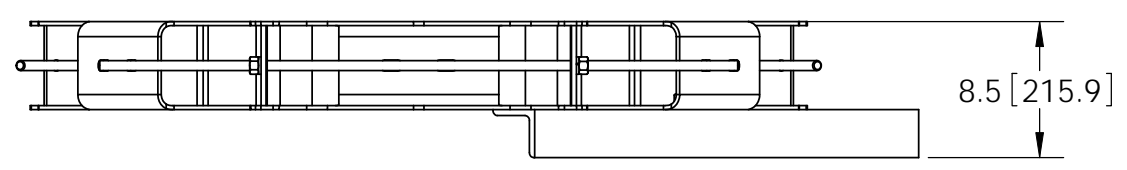
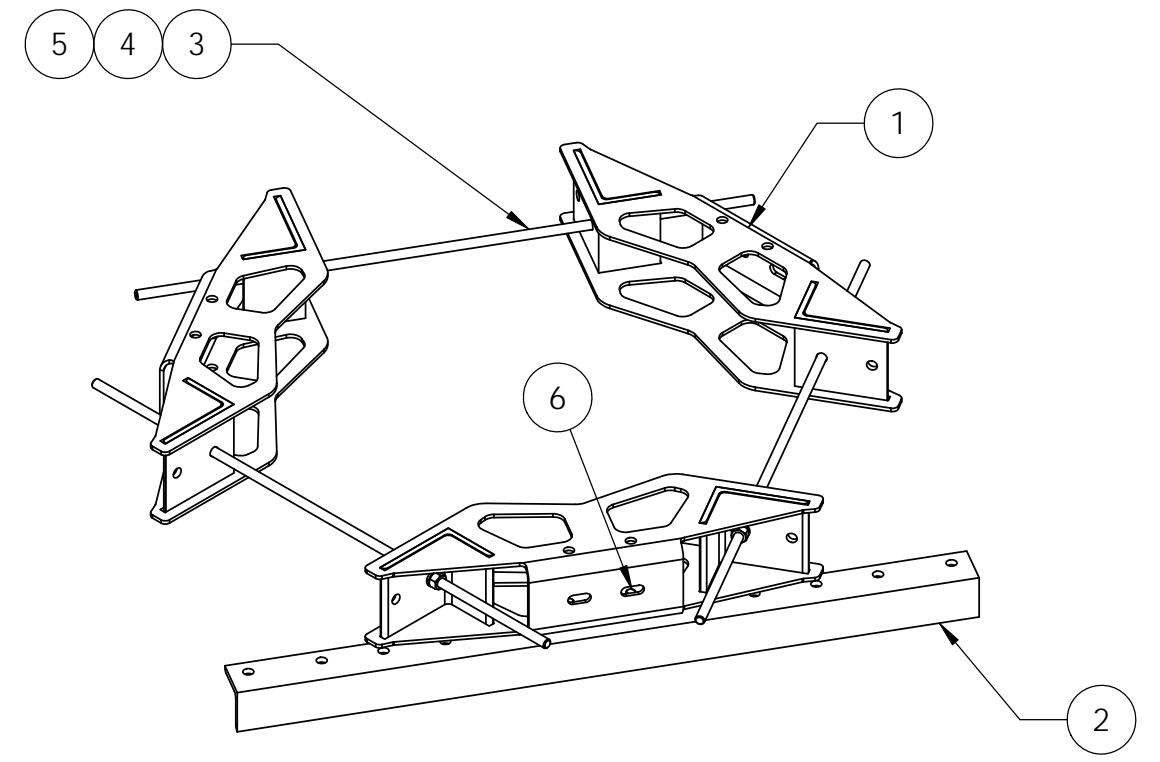
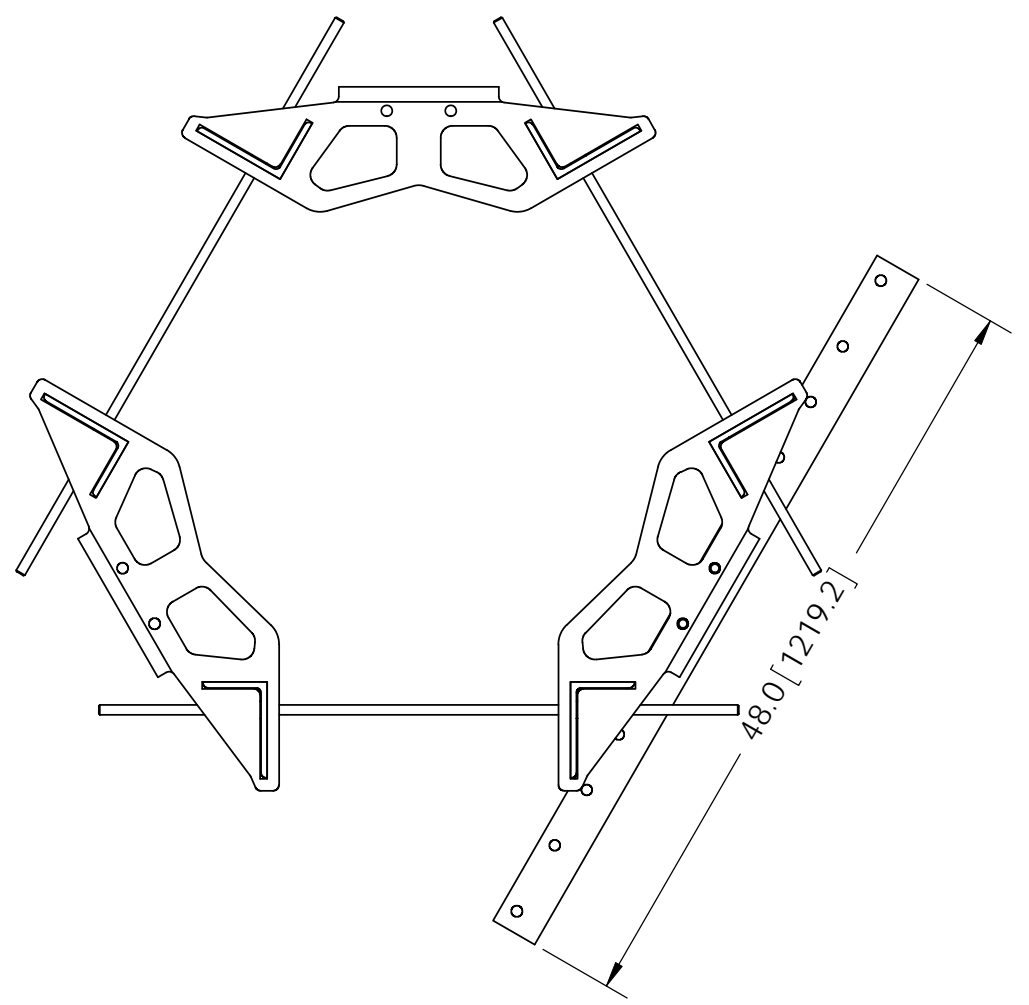


ITEM	PART NO.	DESCRIPTION	QTY.	WEIGHT
1	RMSSM03	15-50 Tieback Ringmount Weldment	3	29.47 LBS
2	RMSS01	RM-SS Tieback Angle	1	27.78 LBS
3	MT38240	5/8" X 40" GALV THREADED ROD	3	3.46 LBS
4	GWL-05	5/8" GALV LOCK WASHER	6	0.00 LBS
5	GN-05	5/8" GALV HEX NUT	6	0.04 LBS
6	GB-0520A	5/8" X 2" GALV BOLT KIT (A325)	2	0.27 LBS

REVISIONS				
REV.	ZONE	DESCRIPTION	BY	DATE
A		INITIAL RELEASE	MSM	10/22/12



- NOTES:
1. ALL METRIC DIMENSIONS ARE IN BRACKETS.
  2. FITS MONOPOLES 15"-50".
  3. FIELD CUT ALL-THREAD AS NEEDED.

<p>These drawings and specifications are the proprietary property of CommScope Inc. and may be used only for the specific purpose authorized in writing by CommScope Inc.</p> <p>ALL DIMENSIONS ARE IN INCHES U.O.S. TOLERANCES UNLESS OTHERWISE SPECIFIED: .X = ± .12      ANGLES ±2° .XX = ± .06      FRACTIONS ±1/32 .XXX = ± .03</p> <p>REMOVE BURRS AND BREAK EDGES .005</p> <p>DO NOT SCALE THIS PRINT</p>	DRAWN BY: MSM	SHEET: 1 of 1	PART NUMBER: RM-SS-M
	CHECKED BY: TP	SCALE: NTS	DESCRIPTION: 15-50 RM-SS TieBack
	DATE: 10/22/12	MATERIAL: A36, A529	DRAWING TYPE: ASSEMBLY DRAWING
	REVISION: A	FINISH: GALV A123	 Hickory, NC 28602 U.S.A.
WEIGHT: 138.96 LBS			