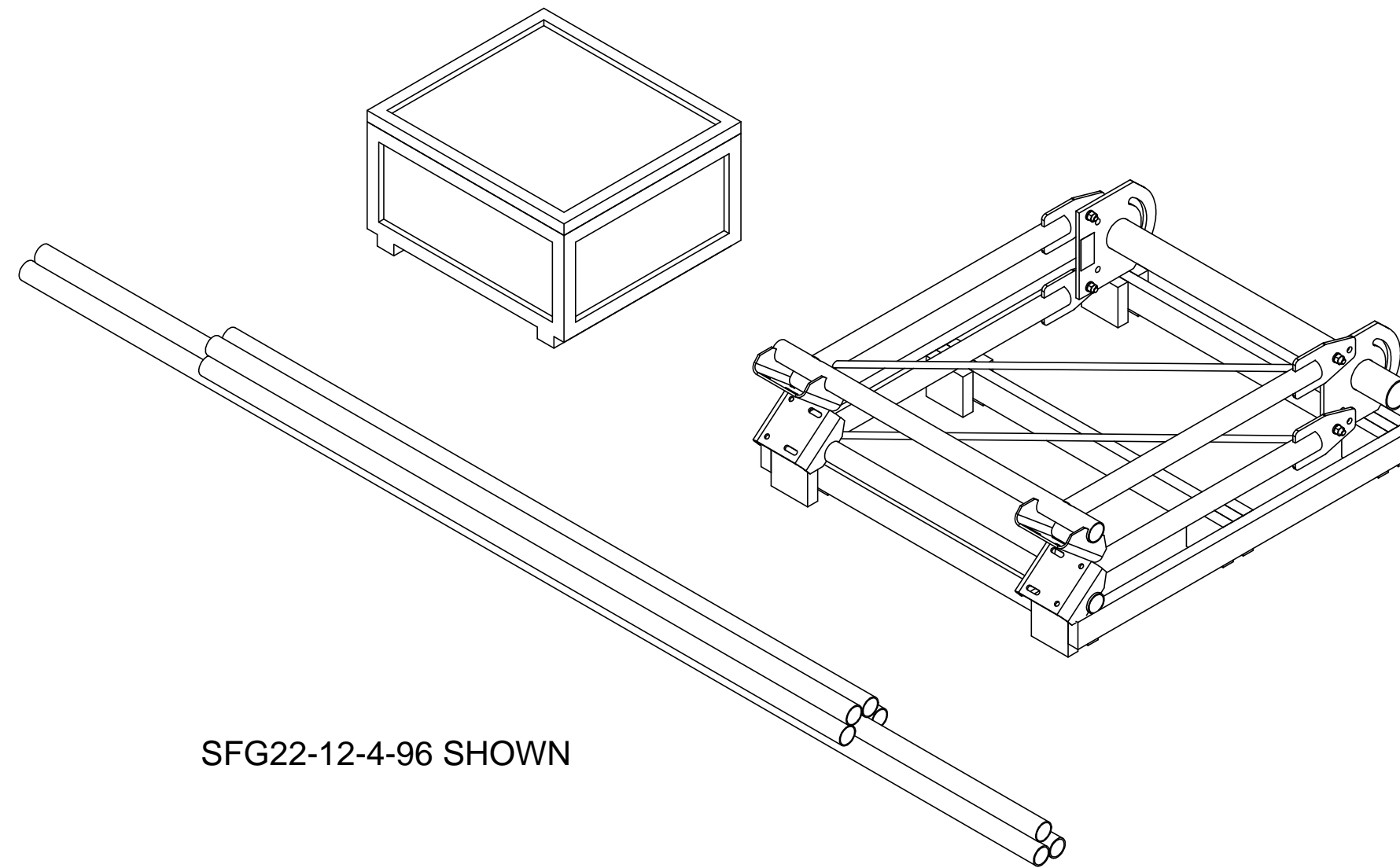


MOUNT MUST BE INSTALLED WITH DIAGONALS AS SHOWN



SFG22-12-4-96 SHOWN

REVISIONS				
REV.	ECN	DESCRIPTION	BY	DATE
B	8000015561	INITIAL RELEASE	DRR	08/08/16
C	8000016892	ADDED DIAGONAL MOUNTING NOTE	RJC	10/25/2016
D	8000018195	CORRECTED TYPOS ON PAGE 4 AND 5	DRR	12/08/16
E	8000024230	CHANGED HARDWARE KITS ON -B KITS	DRR	06/21/17
F	8000029411	SFG2303, SFG2304, SFG2305 WAS SFG230325, SFG230425, SFG230525	RJC	4/13/2018

PART NO.	DESCRIPTION	FRAME KIT	HARDWARE KIT	PIPE BUNDLE	TOTAL WEIGHT
SFG22-10-B	SFG22 SECTOR FRAME KIT, 10' 8" FACE, UNIVERSAL TOWER MOUNT, NO ANTENNA PIPES	SFG22PK	SFG22HK4	SFG2310SB	375.4 lbs
SFG22-10-3-96	SFG22 SECTOR FRAME KIT, 10' 8" FACE, UNIVERSAL TOWER MOUNT, (3) 96" ANTENNA PIPES	SFG22PK	SFG22HK3	SFG2310396SB	469.1 lbs
SFG22-10-3-126	SFG22 SECTOR FRAME KIT, 10' 8" FACE, UNIVERSAL TOWER MOUNT, (3) 126" ANTENNA PIPES	SFG22PK	SFG22HK3	SFG23103126SB	491.5 lbs
SFG22-10-4-96	SFG22 SECTOR FRAME KIT, 10' 8" FACE, UNIVERSAL TOWER MOUNT, (4) 96" ANTENNA PIPES	SFG22PK	SFG22HK4	SFG2310496SB	500.4 lbs
SFG22-10-4-126	SFG22 SECTOR FRAME KIT, 10' 8" FACE, UNIVERSAL TOWER MOUNT, (4) 126" ANTENNA PIPES	SFG22PK	SFG22HK4	SFG23104126SB	530.2 lbs
SFG22-12-B	SFG22 SECTOR FRAME KIT, 12' 8" FACE, UNIVERSAL TOWER MOUNT, NO ANTENNA PIPES	SFG22PK	SFG22HK4	SFG2312SB	389.9 lbs
SFG22-12-3-96	SFG22 SECTOR FRAME KIT, 12' 8" FACE, UNIVERSAL TOWER MOUNT, (3) 96" ANTENNA PIPES	SFG22PK	SFG22HK3	SFG2312396SB	483.6 lbs
SFG22-12-3-126	SFG22 SECTOR FRAME KIT, 12' 8" FACE, UNIVERSAL TOWER MOUNT, (3) 126" ANTENNA PIPES	SFG22PK	SFG22HK3	SFG23123126SB	506.0 lbs
SFG22-12-4-96	SFG22 SECTOR FRAME KIT, 12' 8" FACE, UNIVERSAL TOWER MOUNT, (4) 96" ANTENNA PIPES	SFG22PK	SFG22HK4	SFG2312496SB	514.9 lbs
SFG22-12-4-126	SFG22 SECTOR FRAME KIT, 12' 8" FACE, UNIVERSAL TOWER MOUNT, (4) 126" ANTENNA PIPES	SFG22PK	SFG22HK4	SFG23124126SB	544.7 lbs
SFG22-14-B	SFG22 SECTOR FRAME KIT, 14' 8" FACE, UNIVERSAL TOWER MOUNT, NO ANTENNA PIPES	SFG22PK	SFG22HK4	SFG2314SB	404.5 lbs
SFG22-14-3-96	SFG22 SECTOR FRAME KIT, 14' 8" FACE, UNIVERSAL TOWER MOUNT, (3) 96" ANTENNA PIPES	SFG22PK	SFG22HK3	SFG2314396SB	498.2 lbs
SFG22-14-3-126	SFG22 SECTOR FRAME KIT, 14' 8" FACE, UNIVERSAL TOWER MOUNT, (3) 126" ANTENNA PIPES	SFG22PK	SFG22HK3	SFG23143126SB	520.5 lbs
SFG22-14-4-96	SFG22 SECTOR FRAME KIT, 14' 8" FACE, UNIVERSAL TOWER MOUNT, (4) 96" ANTENNA PIPES	SFG22PK	SFG22HK4	SFG2314496SB	529.4 lbs
SFG22-14-4-126	SFG22 SECTOR FRAME KIT, 14' 8" FACE, UNIVERSAL TOWER MOUNT, (4) 126" ANTENNA PIPES	SFG22PK	SFG22HK4	SFG23144126SB	559.2 lbs

COMMSCOPE, INC. OF NORTH CAROLINA

TOLERANCES		SAP MATERIAL MASTER	
0 PLACE X ± .25	2 PLACE .XX ± .06	SFG22 SERIES	
1 PLACE .X ± .12	ANGLES ± 2°		

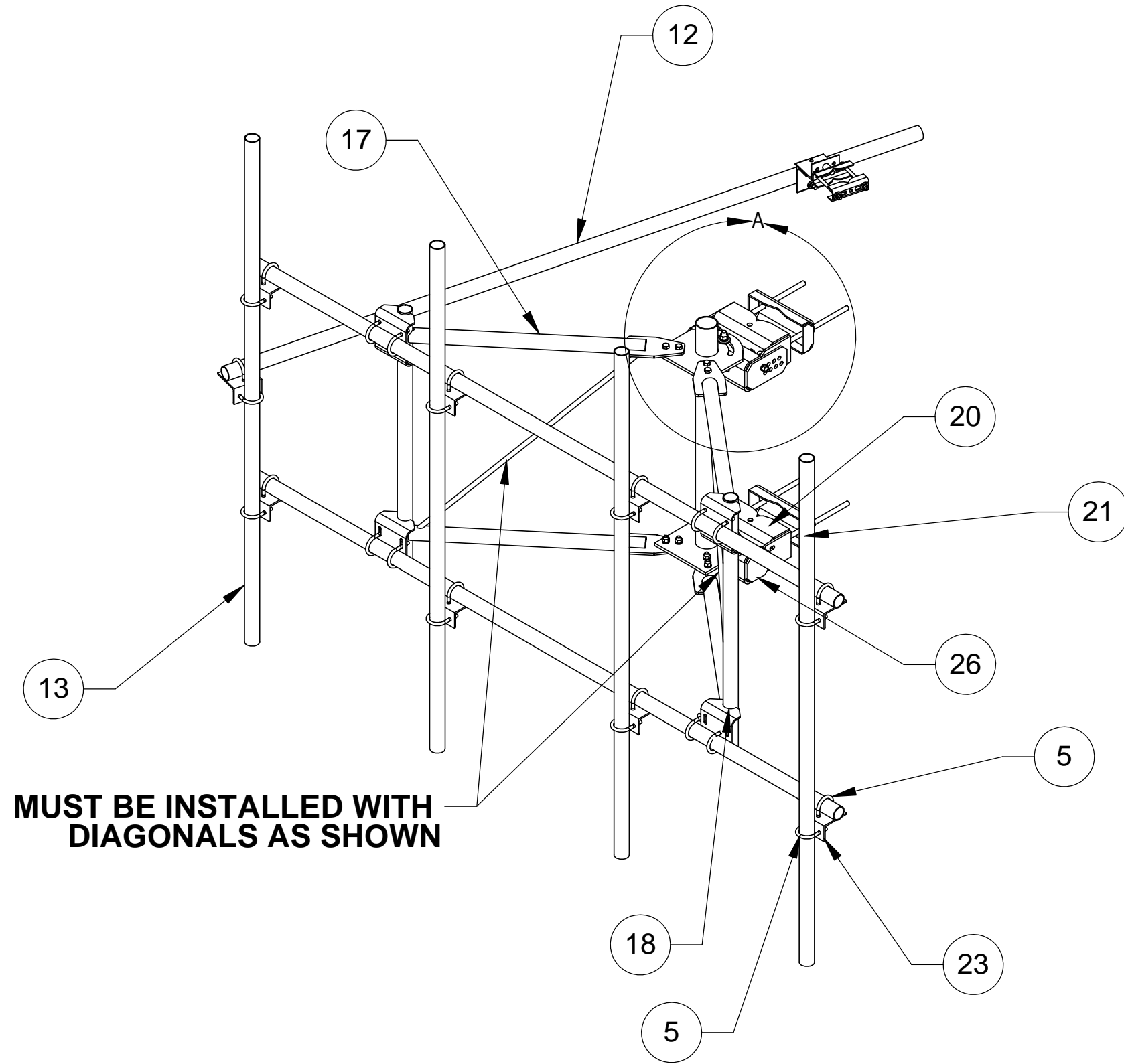
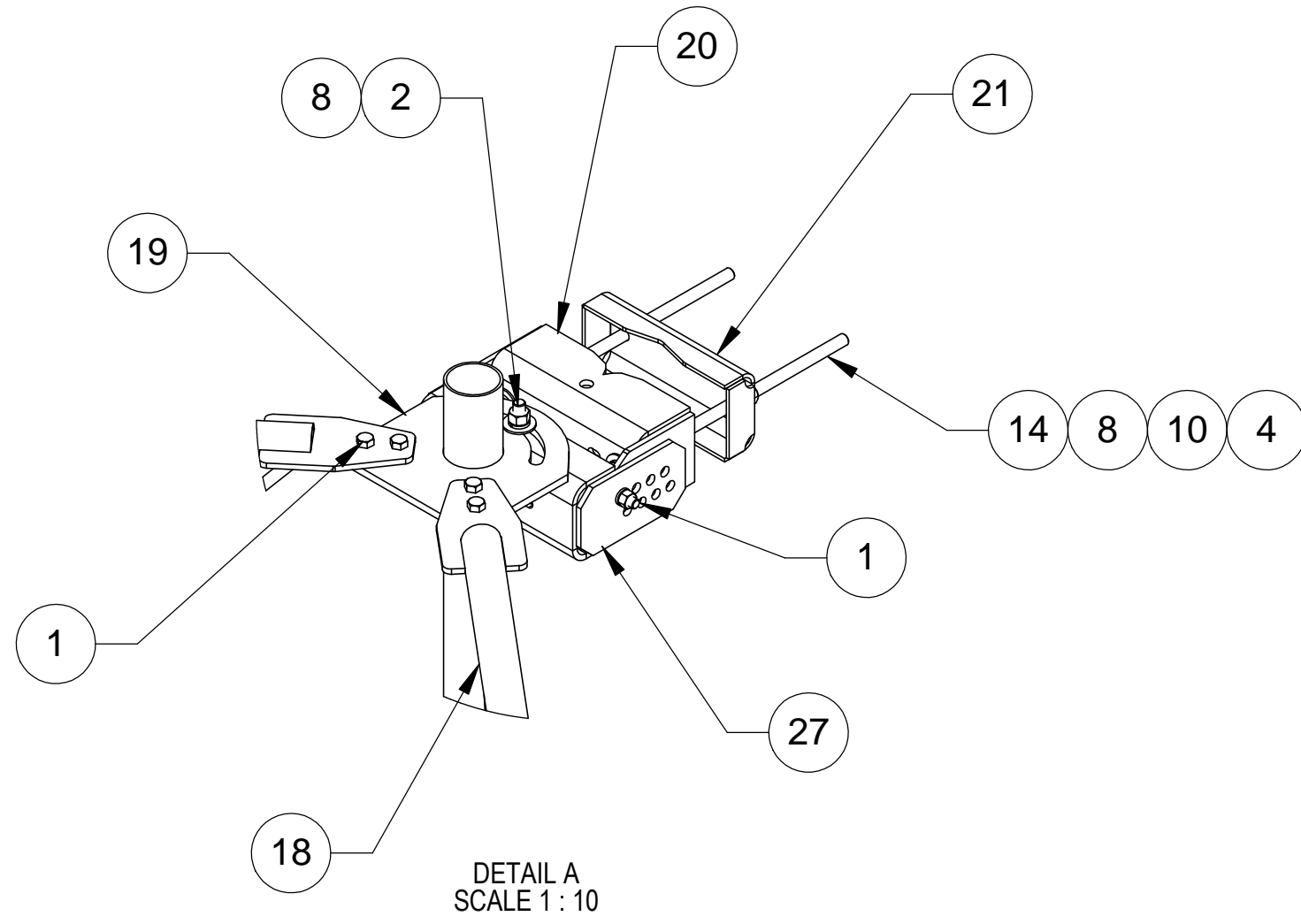
FINISH	MATERIAL
GALV A123	A-36, A-500

UNLESS OTHERWISE SPECIFIED DIMENSIONS ARE IN MILLIMETERS INTERPRET PER ISO STANDARDS HANDBOOK TECHNICAL DRAWINGS VOLUMES 1 & 2, THIRD EDITION (2002)	NAME	DATE	TITLE
	CE DRR	08/08/16	SFG22 SERIES DRAWING
	RW		
	RV		
	AD		
RE TP	08/08/16	SCALE	DOCUMENT NO.
ECN 8000015561	1:16	SFG22 SERIES	
SIZE	WORK AREA	MODEL	DRAWING
C		VERSION	STATUS
		REVISION	VERSION
		REVISION	STATUS
		REVISION	REVISION
			F
			SHEET
			1 OF 6

- 1.0 ALL METRIC DIMENSIONS ARE IN BRACKETS.
- 2.0 FITS TOWER LEGS UP TO 8" OD, 8" ANGLE 60°, AND 6" ANGLE 90°.
- 3.0 UP TO 7° TAPER AVAILABLE.

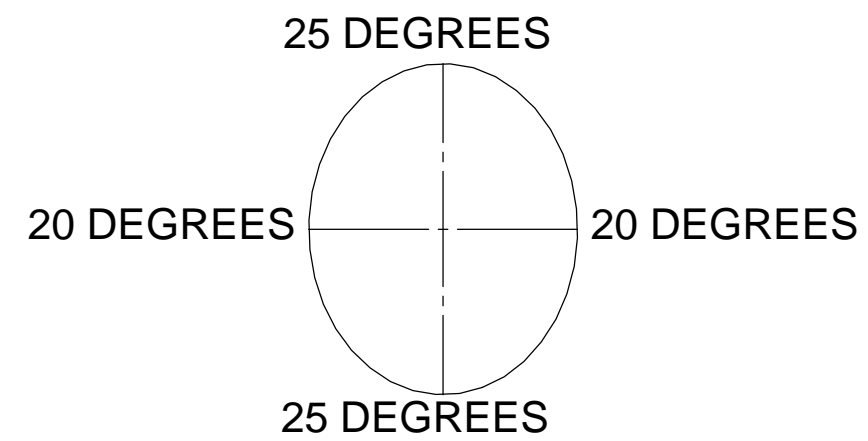
DENSITY	0	lbs/in ³
MASS	221	lbs
VOLUME		in ³
SURFACE AREA		in ²
HEIGHT		
LENGTH		
WIDTH		

NOTES:



MUST BE INSTALLED WITH DIAGONALS AS SHOWN

RECOMMENDED TIEBACK ANGLE
 ±25 DEGREES VERTICAL
 ±20 DEGREES HORIZONTAL



ITEM	PART NO.	DESCRIPTION	QTY.	WEIGHT	NOTE NO.
1	GB-0520A	5/8" X 2" GALV BOLT KIT (A325)	12	0.26 LBS	
2	GB-0624A	3/4" X 2-1/2" GALV BOLT KIT (A325)	2	0.47 LBS	
3	GN-04	1/2" GALV HEX NUT	4	0.04 LBS	
4	GN-06	3/4" GALV HEX NUT	12	0.15 LBS	
5	GUB-4240	1/2" X 2-1/2" X 4" GALV U-BOLT	27	0.56 LBS	
6	GUB-53560	5/8" X 3-5/8" X 6" GALV U-BOLT	2	1.28 LBS	
7	GWF-04	1/2" GALV FLAT WASHER	4	0.03 LBS	
8	GWF-06	3/4" GALV FLAT WASHER	10	0.10 LBS	
9	GWL-04	1/2" GALV LOCK WASHER	4	0.01 LBS	
10	GWL-06	3/4" GALV LOCK WASHER	8	0.04 LBS	
11	MT-379-8	1/2" X 8" GALV THREADED ROD	2	0.44 LBS	
12	MT-537	Ø 2.375" OD x 126" PIPE	1	30.52 LBS	
13	MT-651-96	Ø 2.375" OD X 96" PIPE	4	23.05 LBS	
14	MT38420	3/4" X 20" GALV THREADED ROD	4	2.49 LBS	
15	OS15034	3/4" X 1-1/2" OFFSET COLLAR	1	0.14 LBS	
16	SAB01	FORMED CLAMP	2	1.35 LBS	
17	SFG2201	SECTOR FRAME ARM WLDMNT	1	52.42 LBS	
18	SFG2202	SECTOR FRAME ARM WLDMNT	1	52.42 LBS	
19	SFG2203	BACK VERTICAL ARM MOUNT	1	50.92 LBS	
20	SFG2305	TOWER SADDLE FRONT CLAMP	2	22.85 LBS	
21	SFG230625	BACK TOWER LEG CLAMP	2	8.71 LBS	
22	SFG23126	128" SCH 40 PIPE 2-3/8" OD	2	38.76 LBS	
23	XA2020.01	ANTENNA MOUNT ANGLE	11	2.65 LBS	
24	GB-04125	1/2" X 1-1/4" GALV BOLT KIT	1	0.12 LBS	
25	GB-04265	1/2" X 2-3/4" GALV BOLT KIT	1	0.20 LBS	
26	SFG2304	LOWER TAPER BRACKET	1	19.17 LBS	
27	SFG2303	TOP TAPER BRACKET	1	22.61 LBS	



COMMSCOPE, INC. OF NORTH CAROLINA			
TITLE SFG22 SERIES DRAWING			
SIZE C	SCALE 1:20	DOCUMENT NO. SFG22 SERIES	
DRAWING		VERSION	REVISION
			F
			SHEET 2 OF 6

4

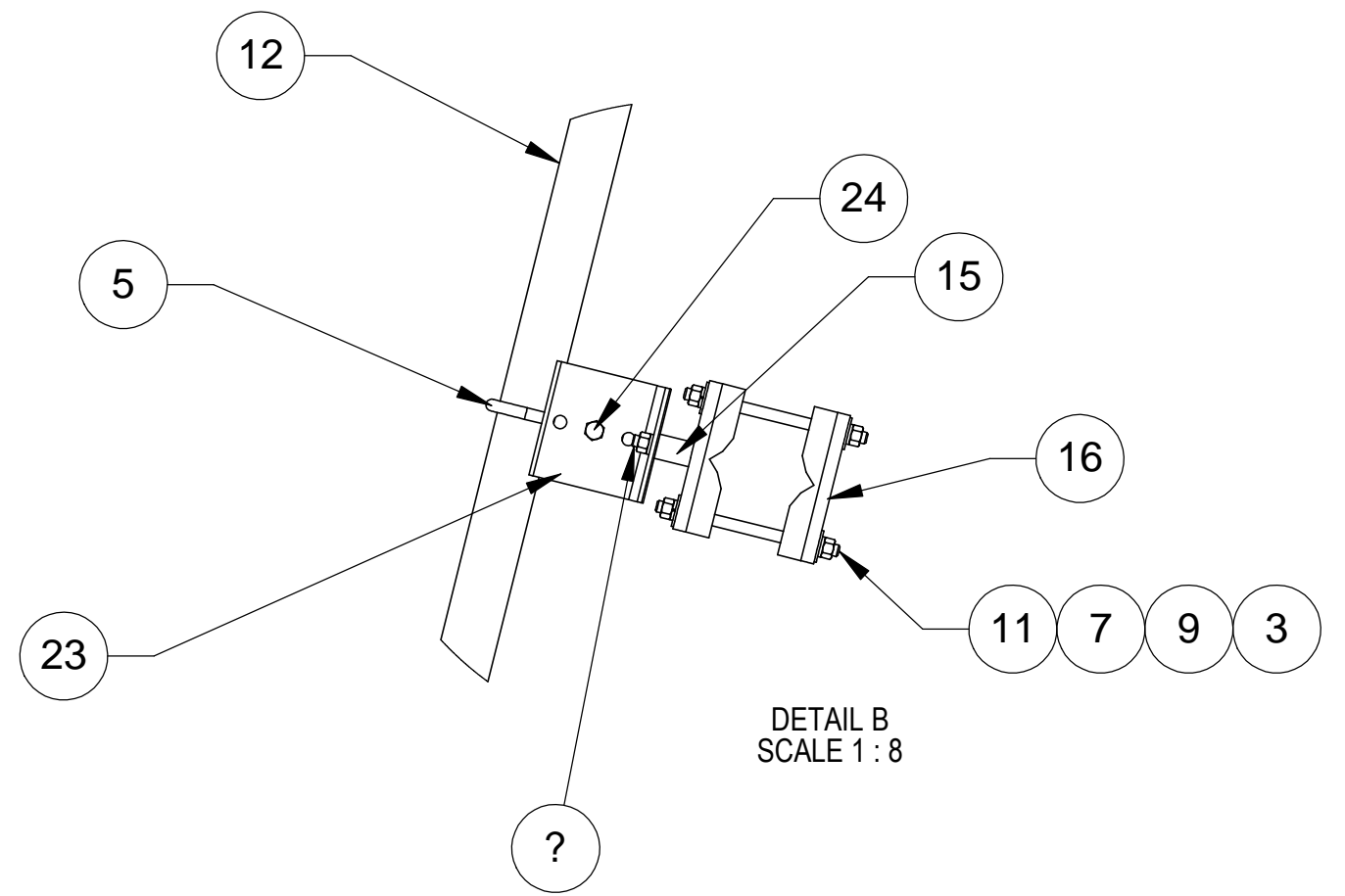
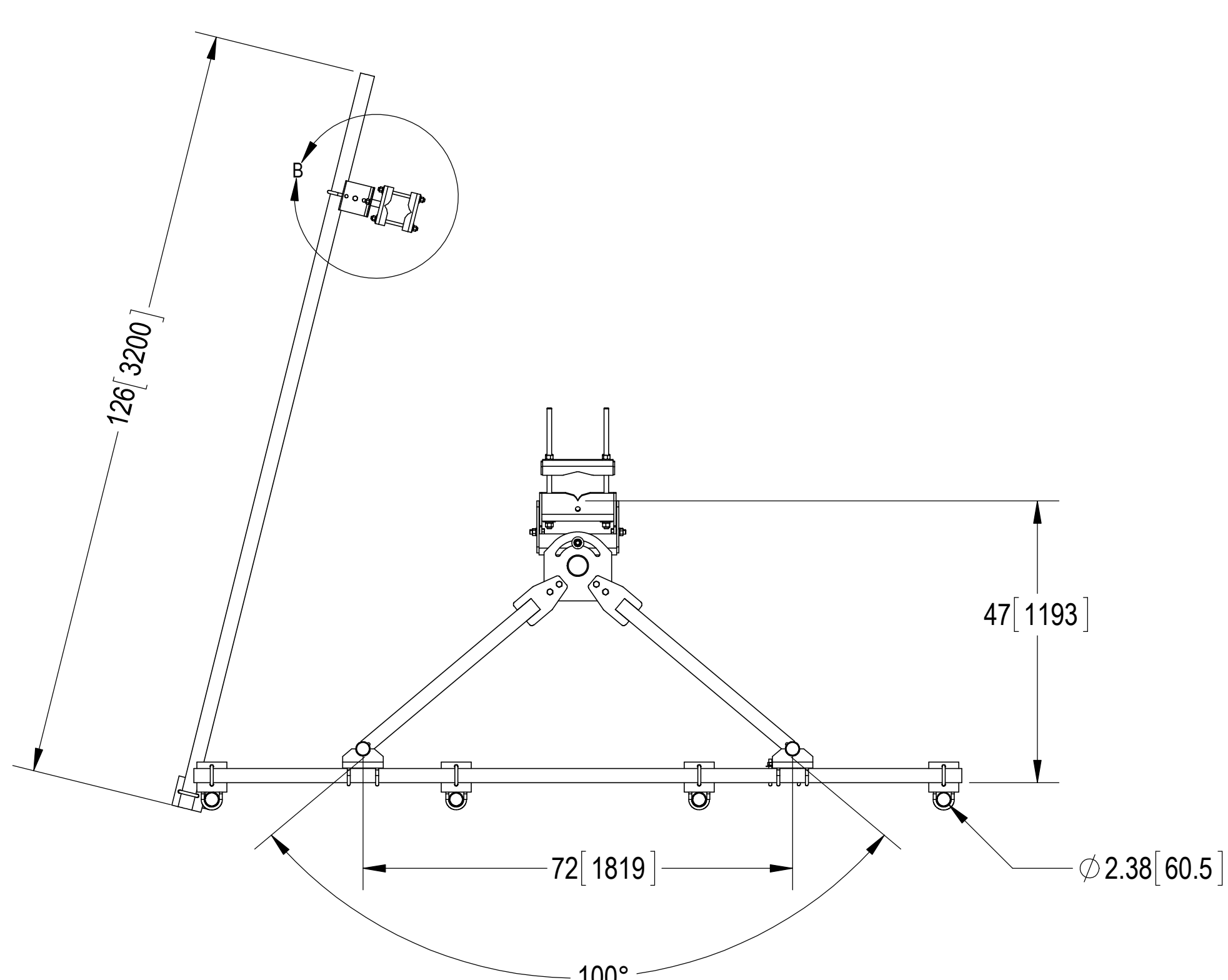
3

2

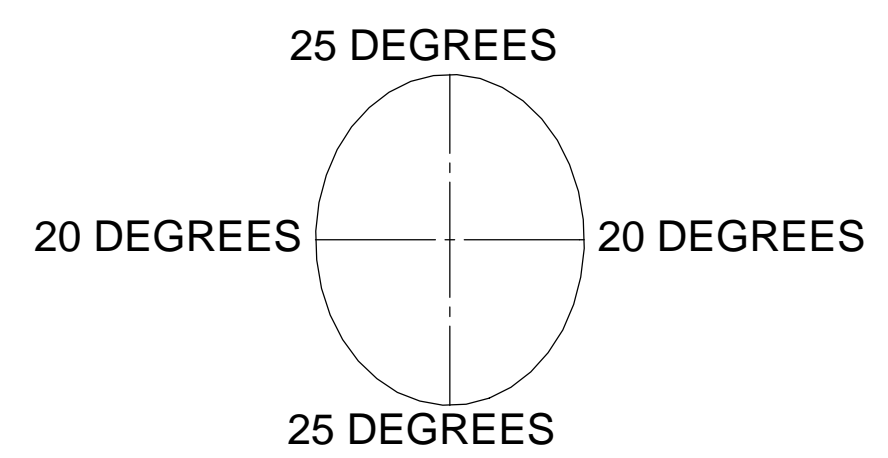
1

NOTES:

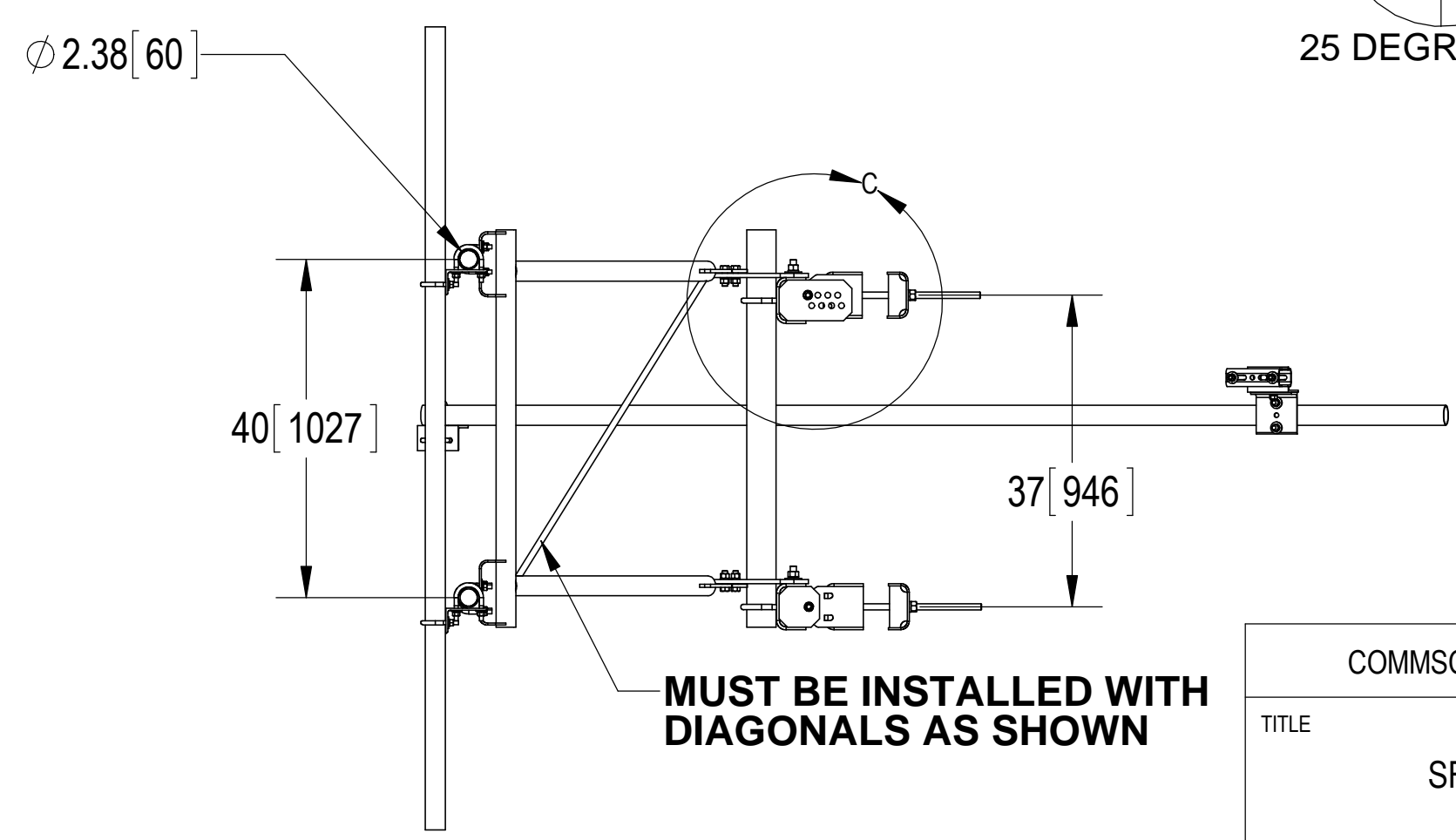
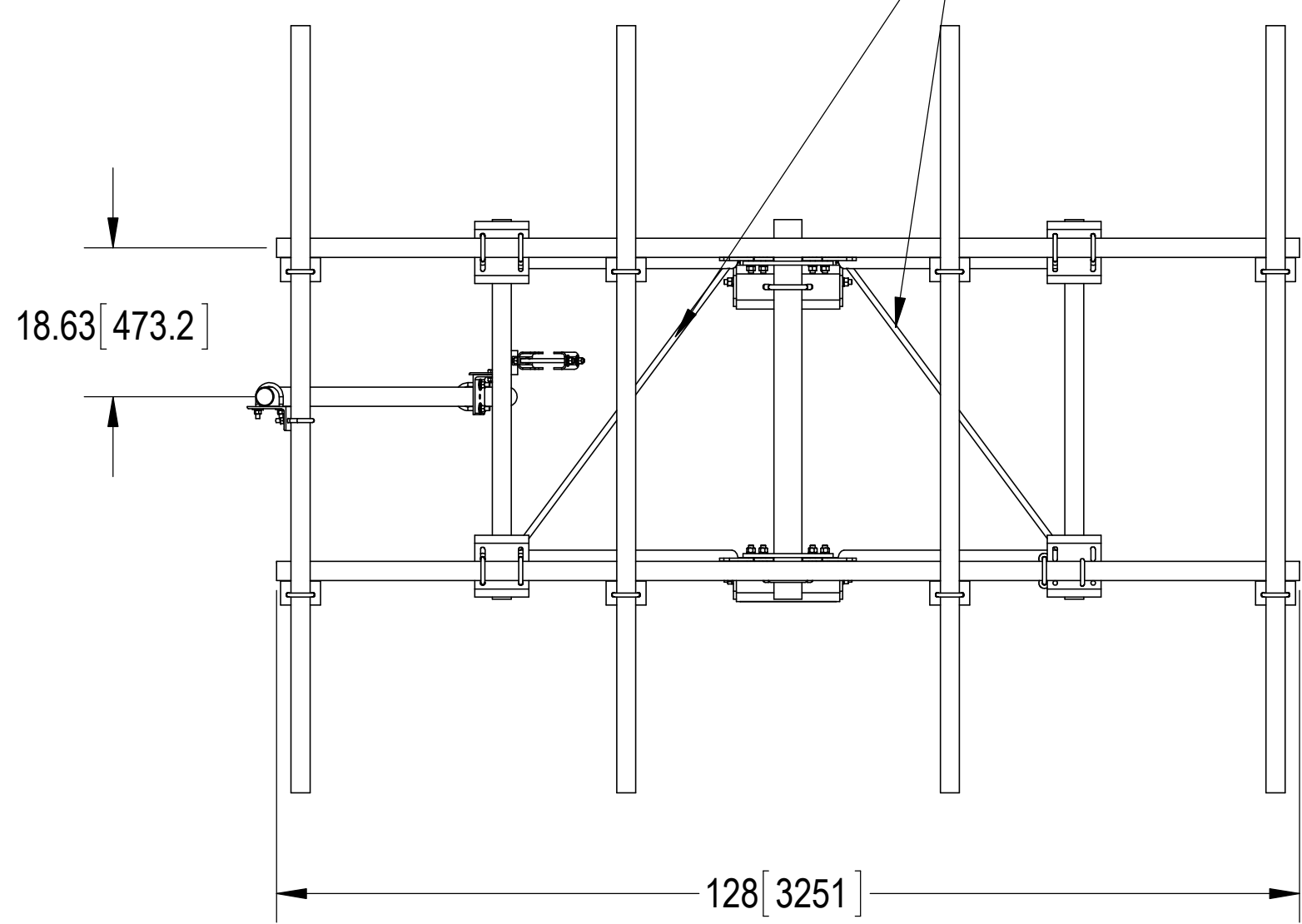
1.0 ALL METRIC DIMENSIONS ARE IN BRACKETS.



RECOMMENDED TIEBACK ANGLE
 ±25 DEGREES VERTICAL
 ±20 DEGREES HORIZONTAL



**MUST BE INSTALLED WITH
 DIAGONALS AS SHOWN**



**MUST BE INSTALLED WITH
 DIAGONALS AS SHOWN**

COMMSCOPE, INC. OF NORTH CAROLINA			
TITLE SFG22 SERIES DRAWING			
SIZE C	SCALE 1:20	DOCUMENT NO. SFG22 SERIES	
DRAWING		VERSION	REVISION
			F
			SHEET 3 OF 6

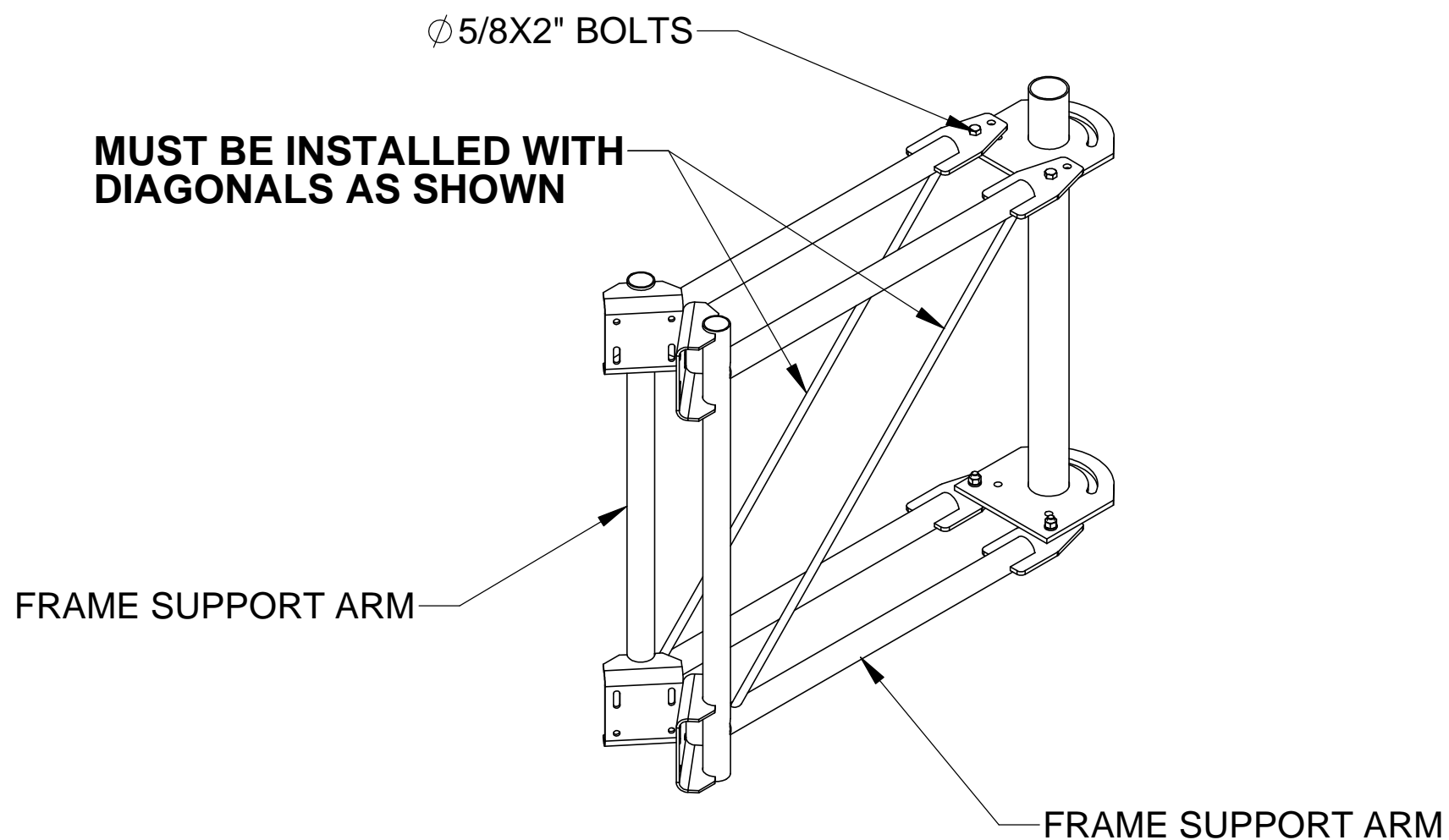
4

3

2

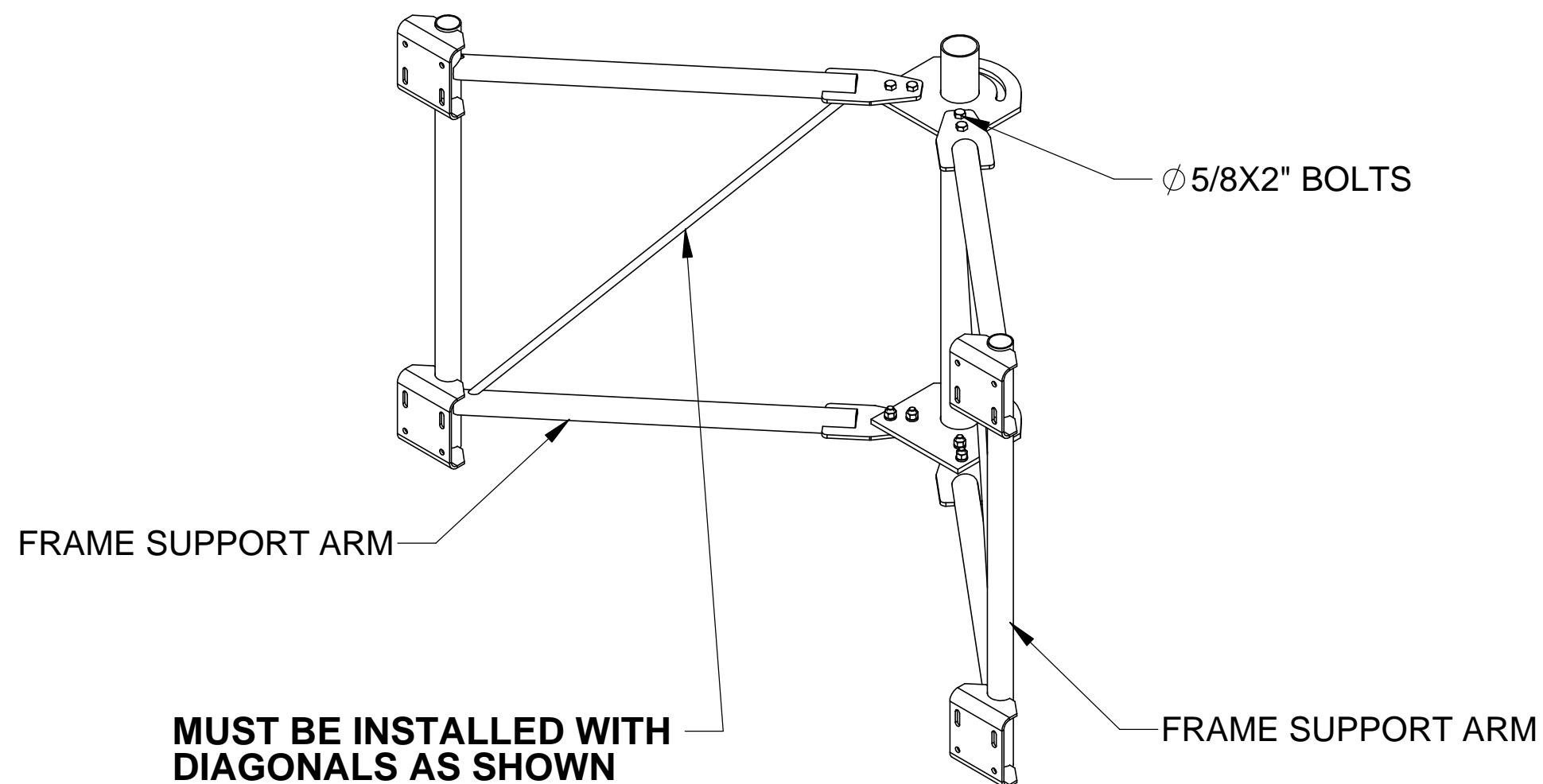
1

STEP 1: LOOSEN ϕ 5/8 HARDWARE TO OPEN FRAME SUPPORT ARMS.



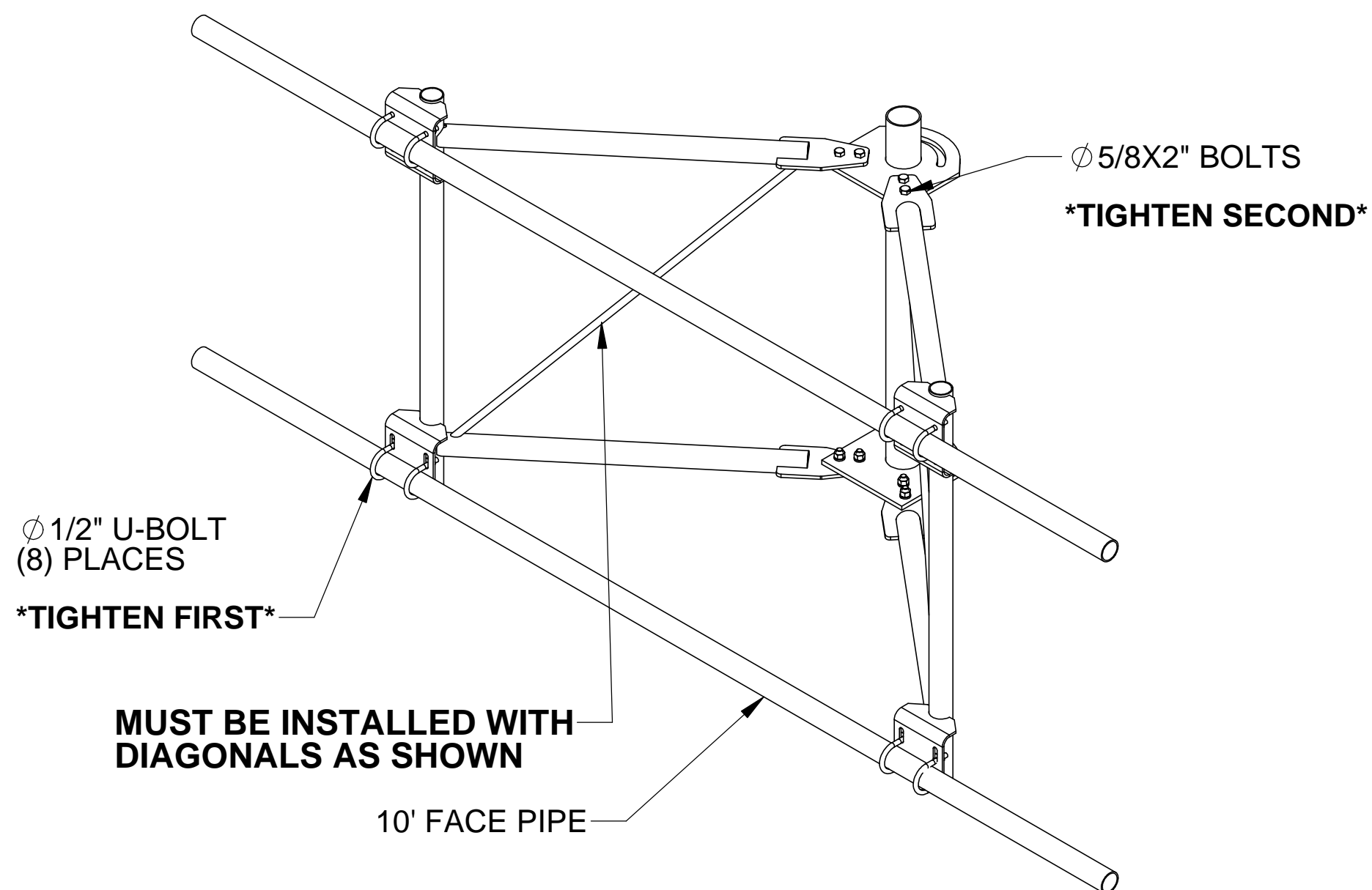
STEP 2: OPEN FRAME SUPPORT ARMS AND INSTALL (4) ϕ 5/8 X 2" BOLTS.

***DO NOT TIGHTEN ϕ 5/8" BOLTS AT THIS TIME.**

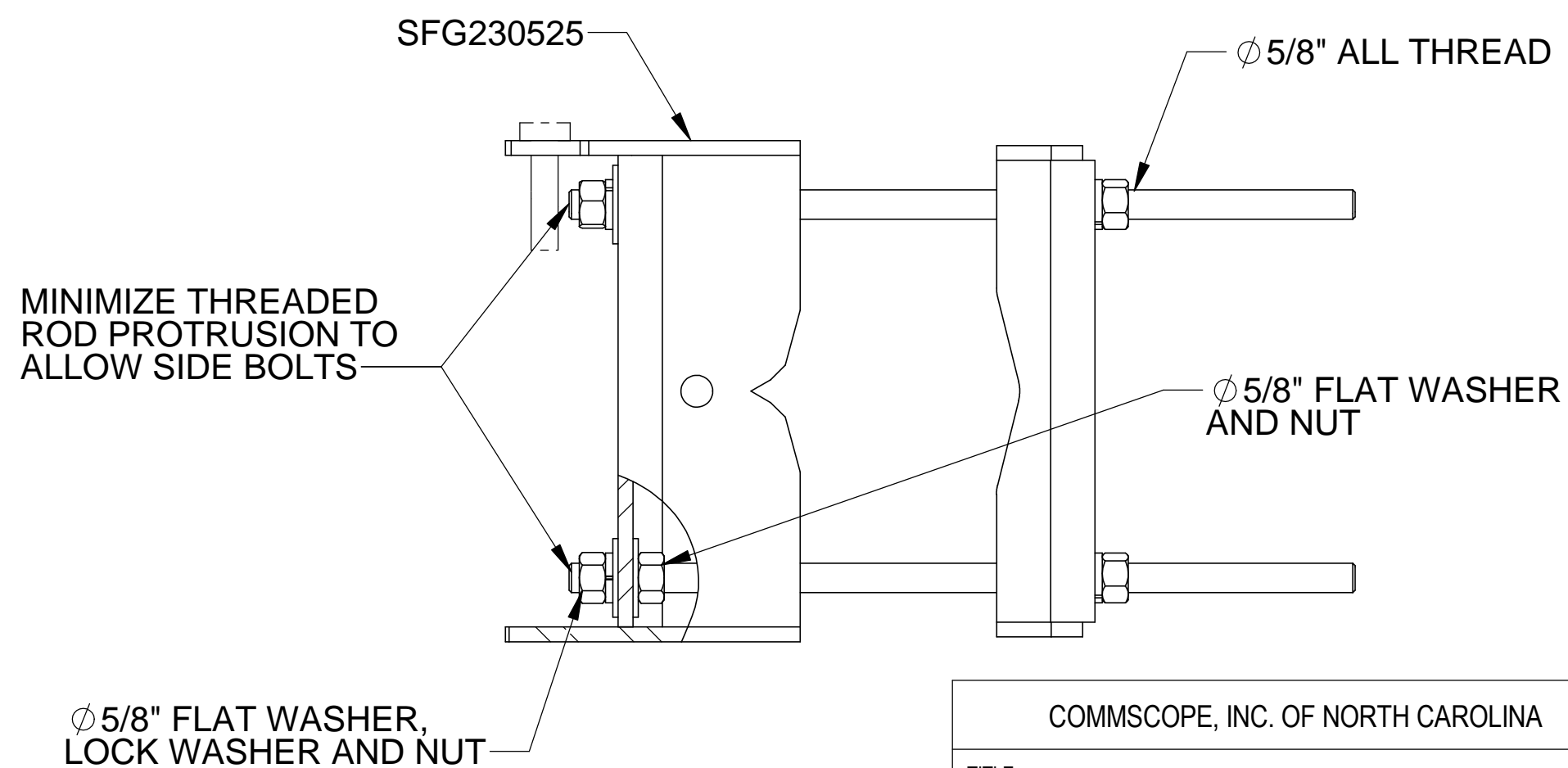


STEP 3: INSTALL FACE PIPES AND ϕ 1/2" U-BOLTS

TIGHTEN U-BOLTS FIRST AND ϕ 5/8" BOLTS SECOND



STEP 4: ASSEMBLE TOWER CLAMPS (2X)



COMMSCOPE, INC. OF NORTH CAROLINA				
TITLE SFG22 SERIES DRAWING				
SIZE C	SCALE 1:14	DOCUMENT NO. SFG22 SERIES		
DRAWING		VERSION	STATUS	REVISION
				F
				SHEET 4 OF 6

4

3

2

1

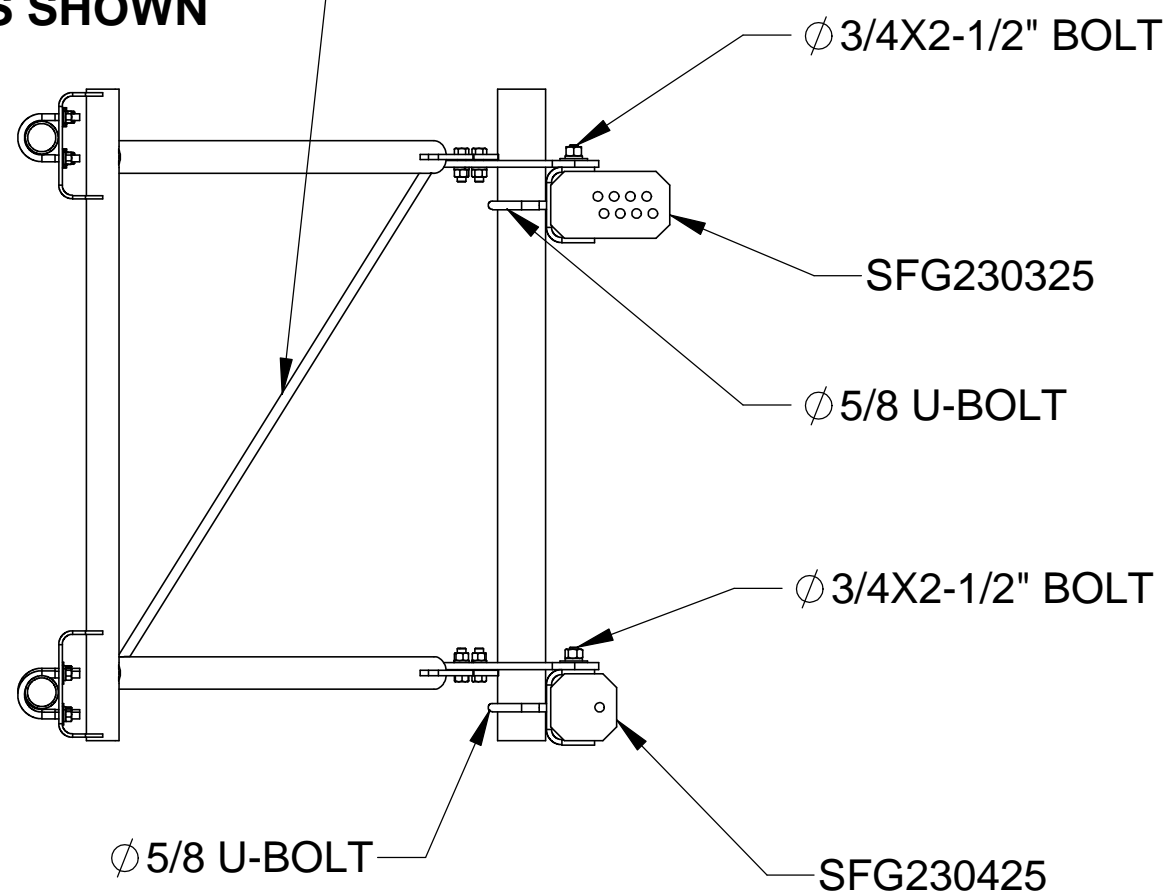
TAPER SETUP (SELF SUPPORT TOWER)

STEP 5

NON-TAPER SETUP (GUYED TOWER)

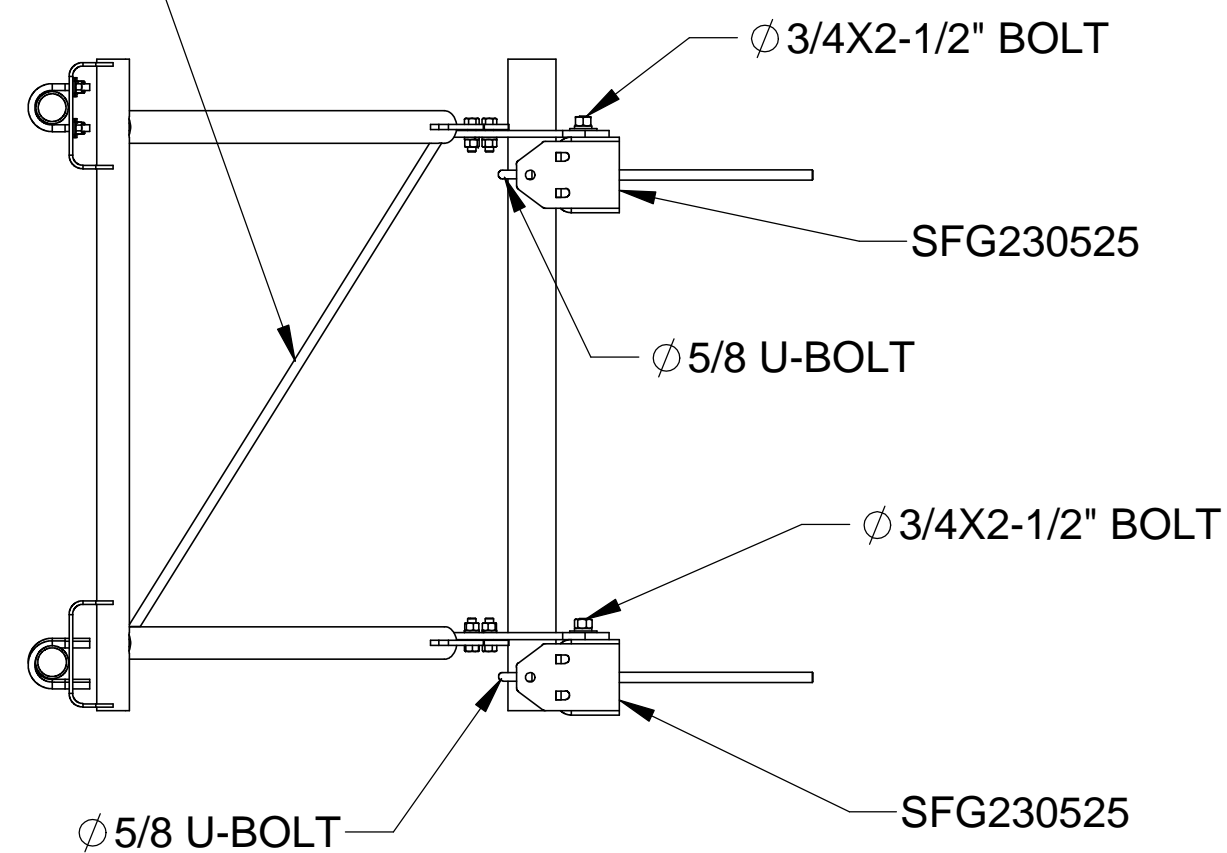
WITH TAPER: INSTALL TAPER BRACKETS (SFG233725 AND SFG232875) WITH HARDWARE

MUST BE INSTALLED WITH DIAGONALS AS SHOWN

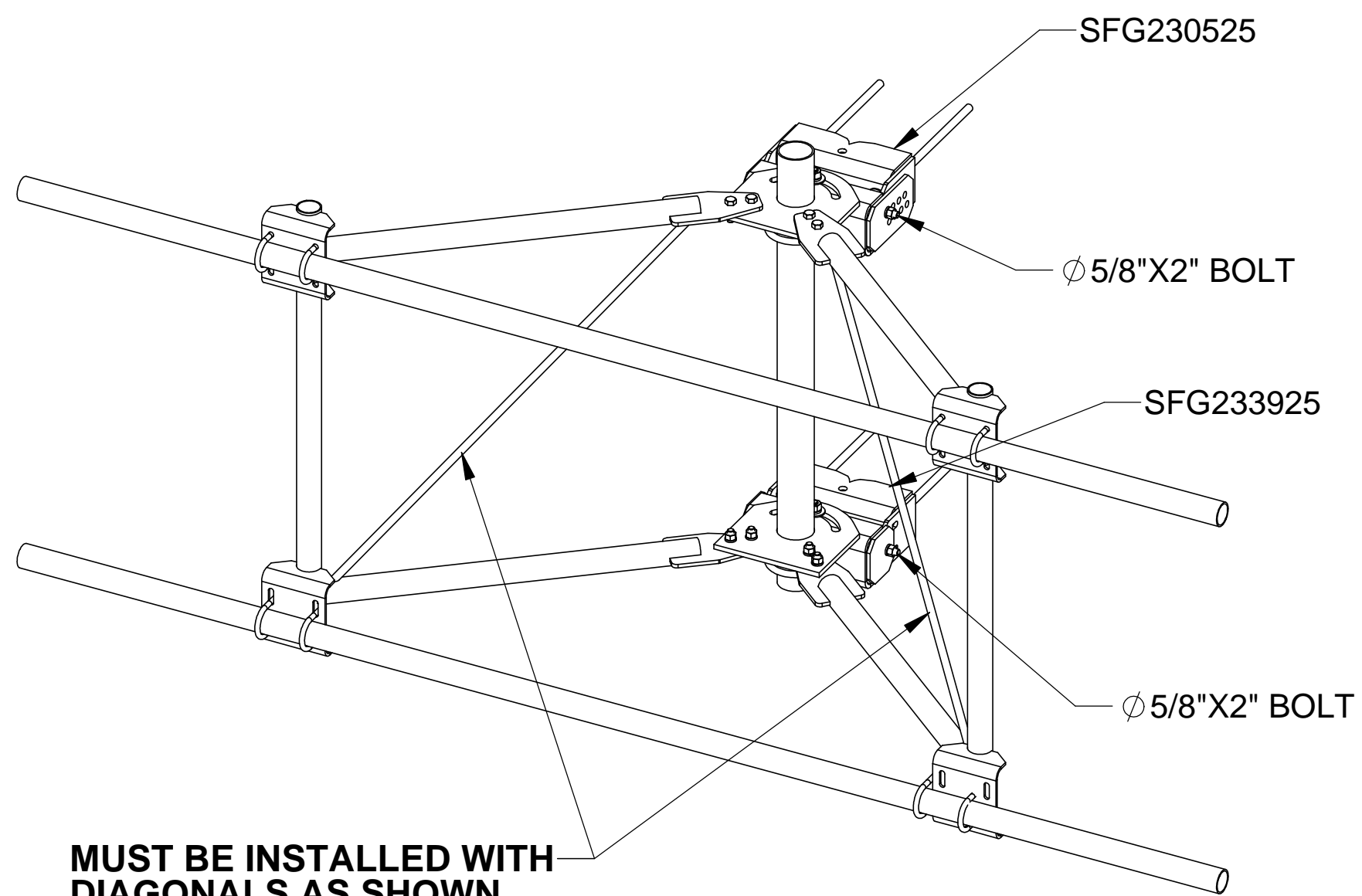


WITHOUT TAPER: INSTALL MOUNT BRACKETS (2X SFG234025) WITH HARDWARE

MUST BE INSTALLED WITH DIAGONALS AS SHOWN



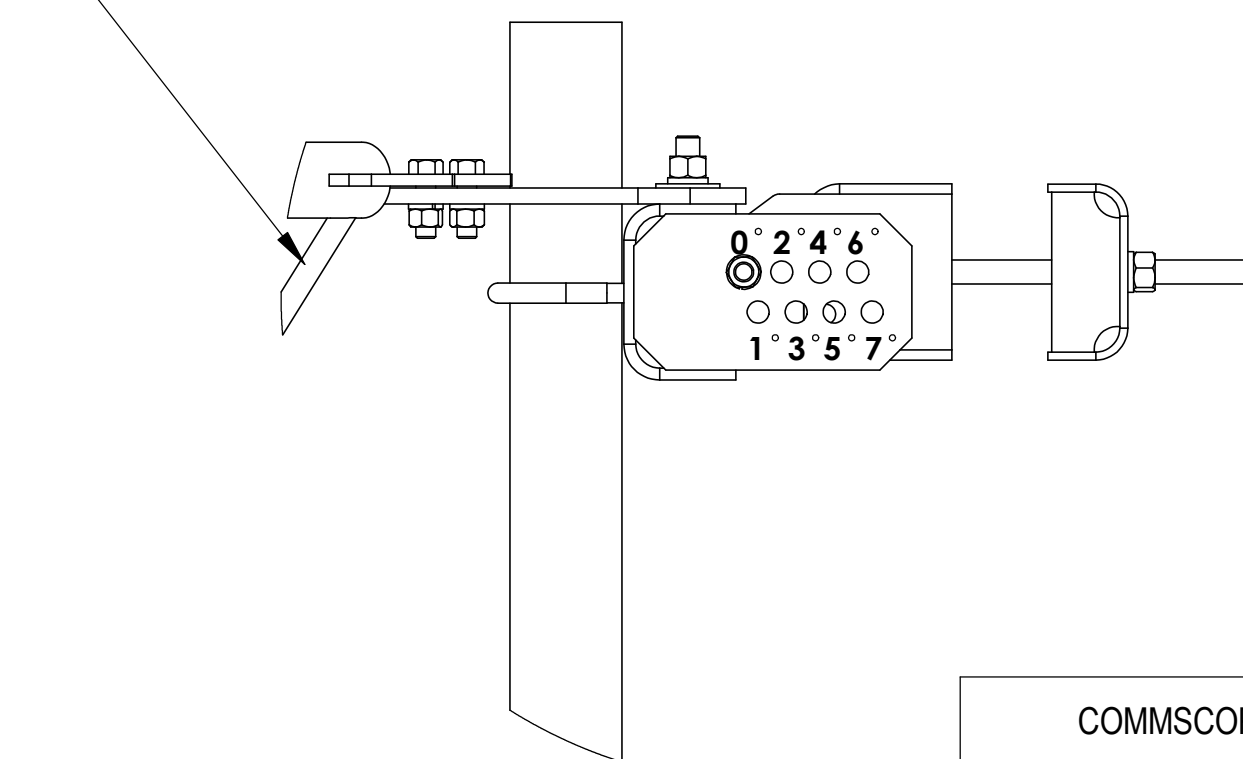
WITH TAPER: INSTALL MOUNT BRACKETS (2X SFG234025) WITH HARDWARE



MUST BE INSTALLED WITH DIAGONALS AS SHOWN

TAPER GUIDE

MUST BE INSTALLED WITH DIAGONALS AS SHOWN



DETAIL C
SCALE 1:6

© 2015 CommScope, Inc. Confidential

COMMSCOPE, INC. OF NORTH CAROLINA				
TITLE SFG22 SERIES DRAWING				
SIZE C	SCALE 1:14	DOCUMENT NO. SFG22 SERIES		
DRAWING		VERSION	STATUS	REVISION
				F
				SHEET 5 OF 6

4

3

2

1

4

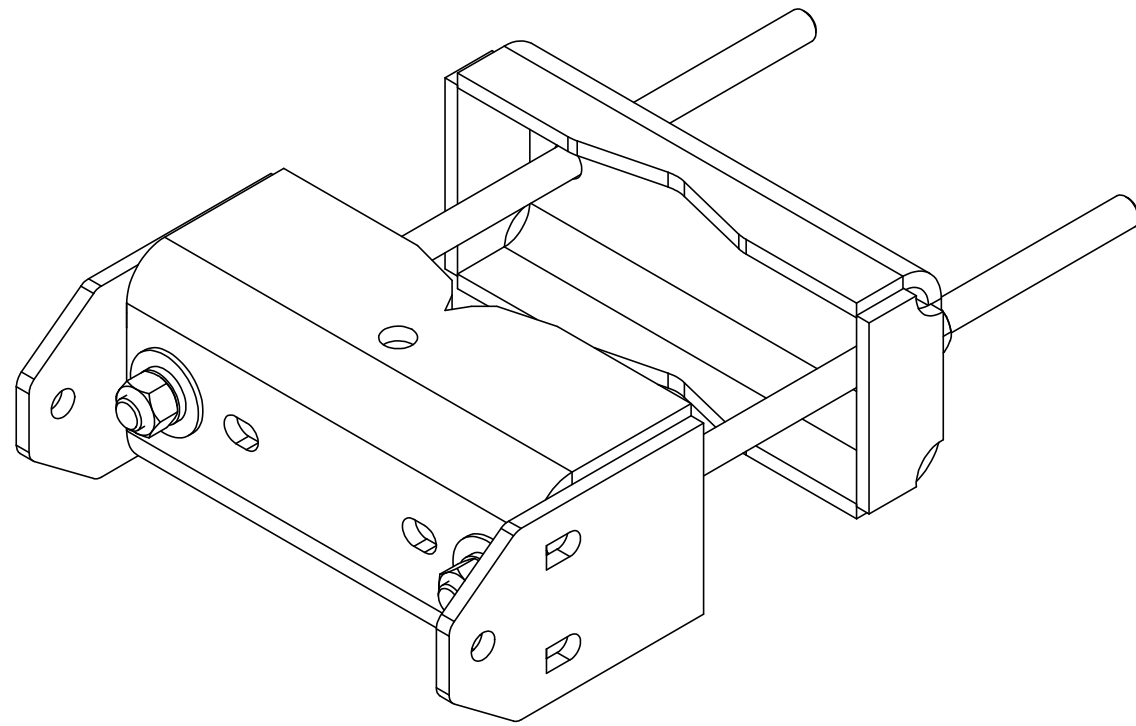
3

2

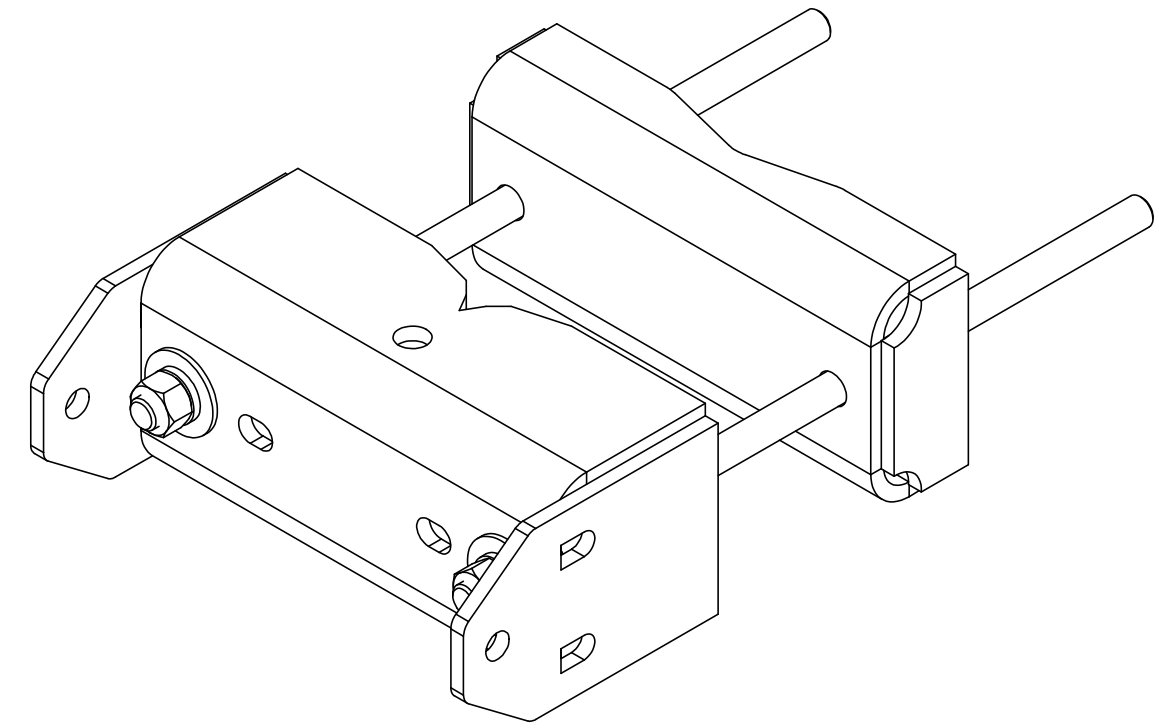
1

NOTES:

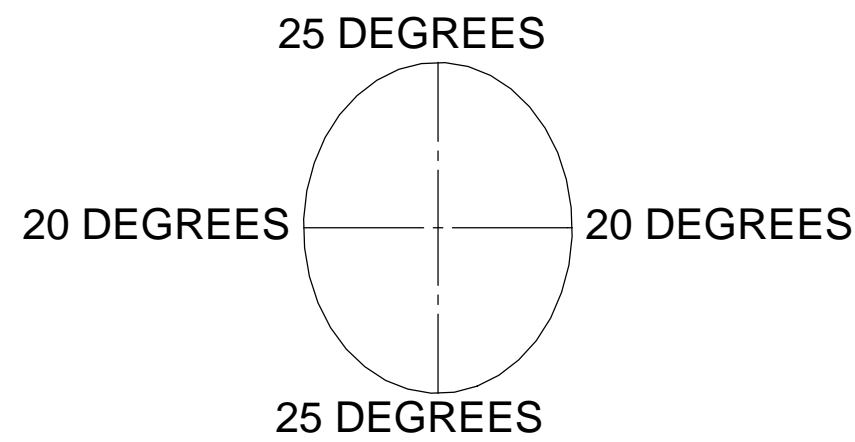
ROUND PIPE SETUP (BACK CLAMP CAPTURES PIPE)



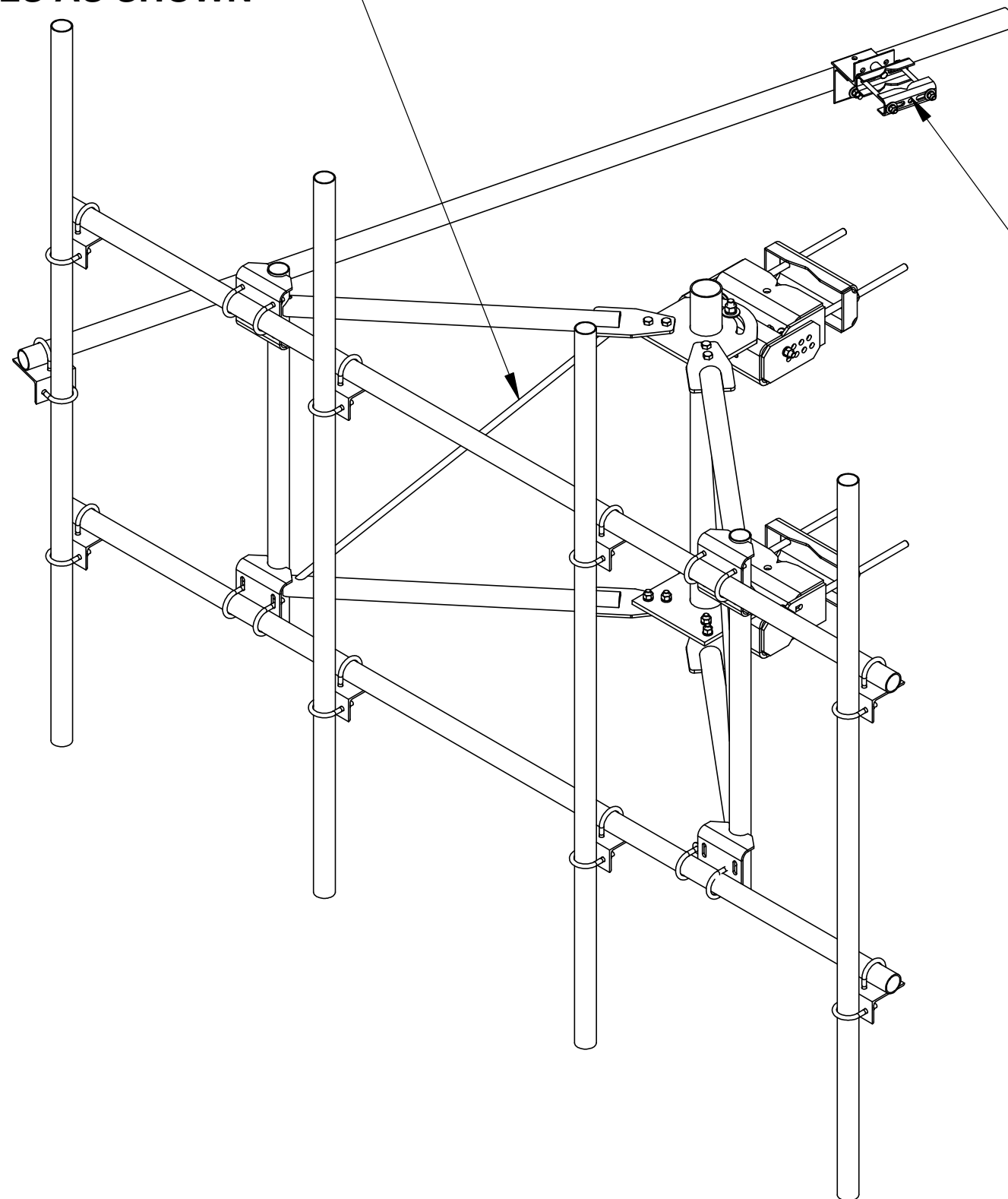
ROUND PIPE SETUP (BACK CLAMP FLAT AGAINST ANGLE)



RECOMMENDED TIEBACK ANGLE ±25 DEGREES VERTICAL ±20 DEGREES HORIZONTAL



**MUST BE INSTALLED WITH
DIAGONALS AS SHOWN**



TIEBACK MUST BE CONNECTED TO A RIGID MEMBER THAT PROVIDES ADEQUATE SUPPORT WITHIN THE LIMITS NOTED IN THE TIEBACK ANGLE RANGE DETAIL, UNLESS APPROVED BY THE ENGINEER OF RECORD.

COMMSCOPE, INC. OF NORTH CAROLINA				
TITLE SFG22 SERIES DRAWING				
SIZE C	SCALE 1:14	DOCUMENT NO. SFG22 SERIES		
DRAWING		VERSION	STATUS	REVISION
				F
				SHEET 6 OF 6

4

3

2

1