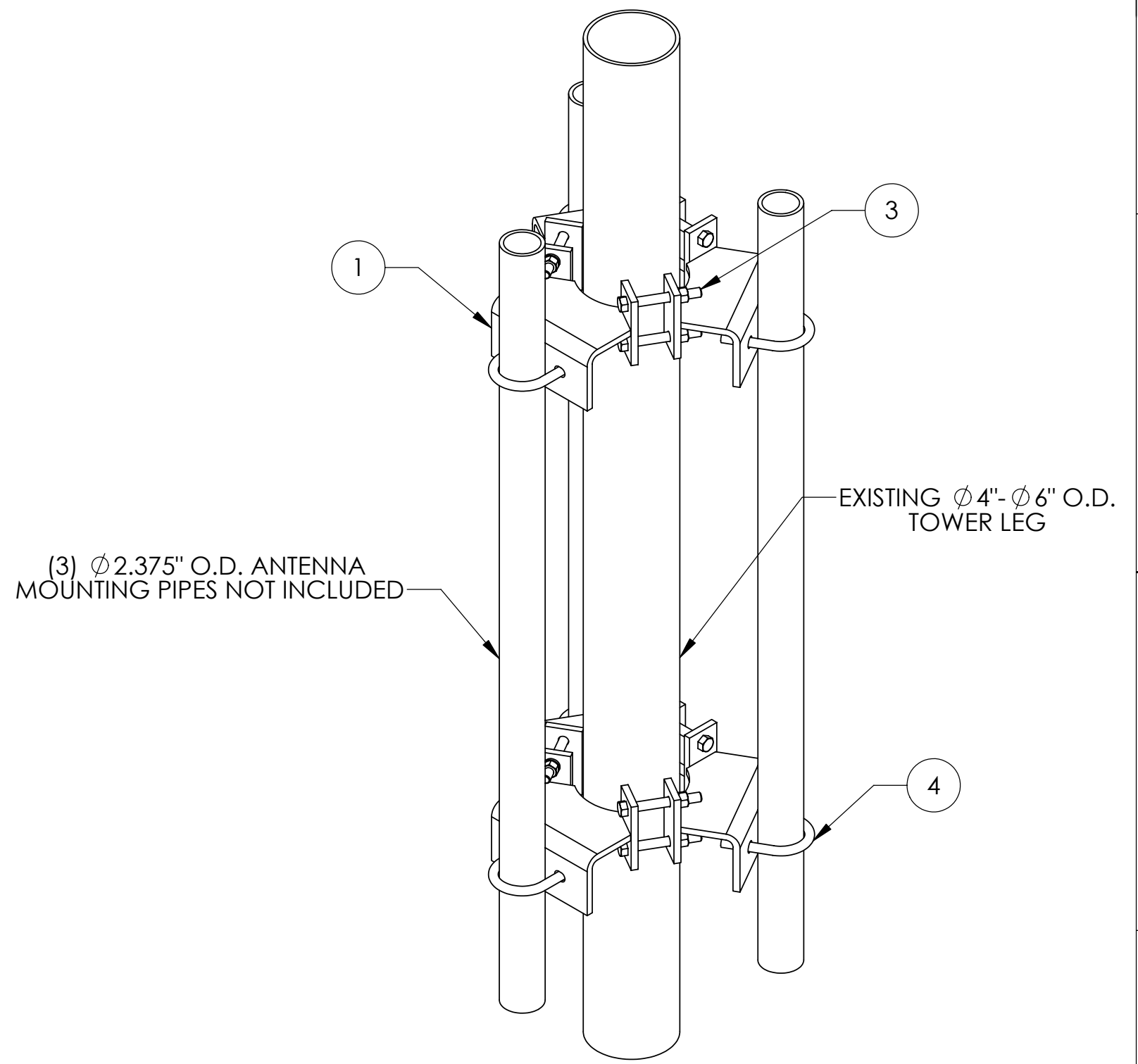
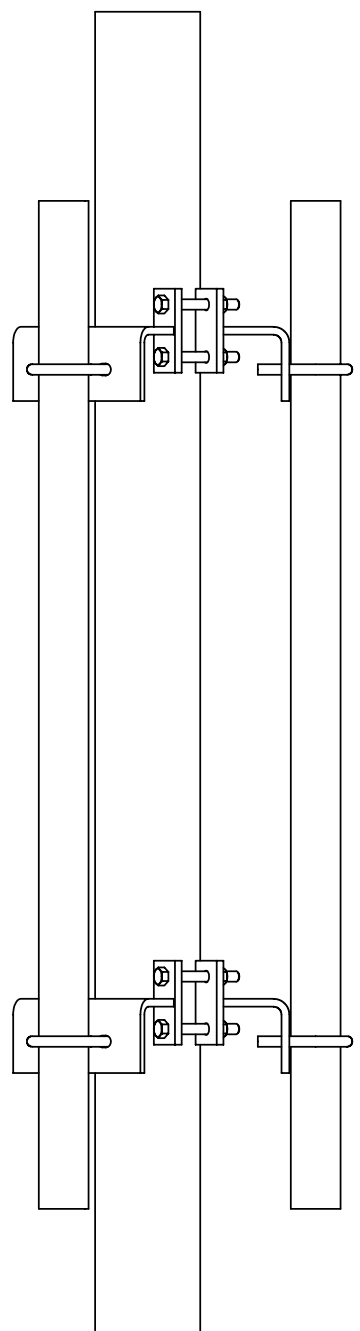
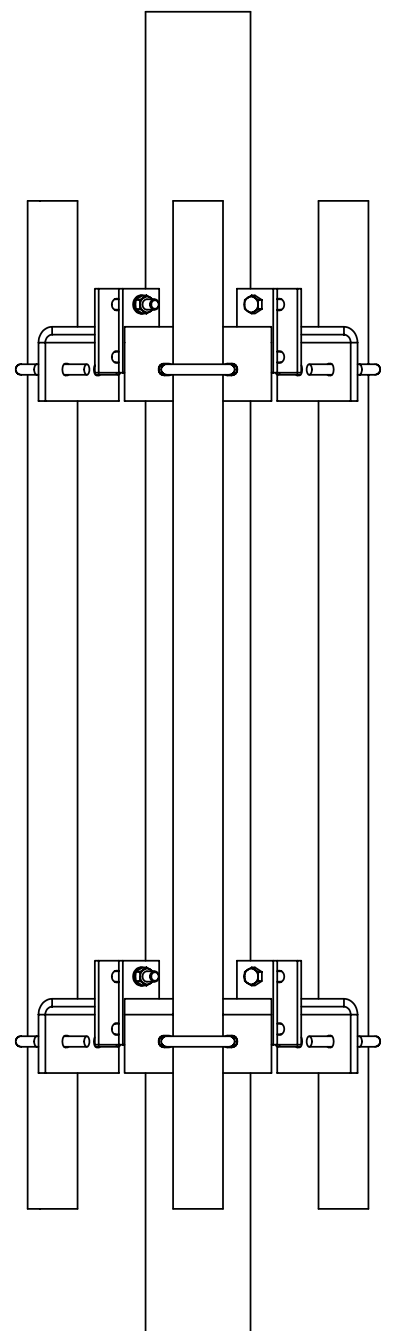
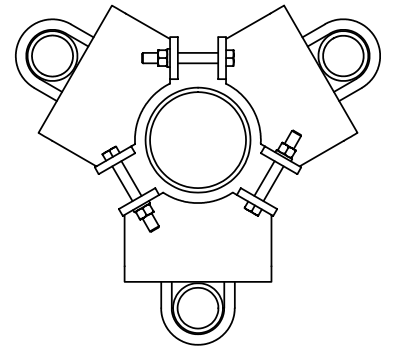



ITEM	PART NUMBER	DESCRIPTION	QTY	WEIGHT
1	TPMSC.01	4" - 6" ANTENNA PIPE MOUNTING BRACKET	6	6.49 LBS
2	GB-04245	1/2" X 2-1/2" GALV BOLT KIT (FOR 4-5" O.D.)	12	0.15 LBS
3	GB-04405	1/2" X 4" GALV BOLT KIT (FOR 5-6" O.D.)	12	0.20 LBS
4	GUB-4240	1/2" X 2-1/2" X 4" GALV U-BOLT	6	0.59 LBS

REVISIONS				
REV.	ZONE	DESCRIPTION	BY	DATE
A		INITIAL RELEASE	CAM	01/22/02
B		REDRAWN IN SOLIDWORKS	AW	07/18/06



These drawings and specifications are the proprietary property of ANDREW CORPORATION and may be used only for the specific purpose authorized in writing by Andrew Corporation.  ALL DIMENSIONS ARE IN INCHES U.O.S. TOLERANCES UNLESS OTHERWISE SPECIFIED: .X = ± .06      ANGLES ± 2' .XX = ± .03      FRACTIONS ± 1/32 .XXX = ± .010  REMOVE BURRS AND BREAK EDGES .005  DO NOT SCALE THIS PRINT	DRAWN BY: AW	SHEET: 1 of 1	PART NUMBER: TP-MSC
	CHECKED BY: TP	SCALE: NTS	DESCRIPTION: MULTI-SECTOR CLUSTER MOUNT
	DATE: 07/18/06	MATERIAL: A36	DRAWING TYPE: SHOP DRAWING
	REVISION: <b>B</b>	FINISH: GALV A123	 ORLAND PARK, IL. 60462 U.S.A.
	WEIGHT: 46.30 LBS		