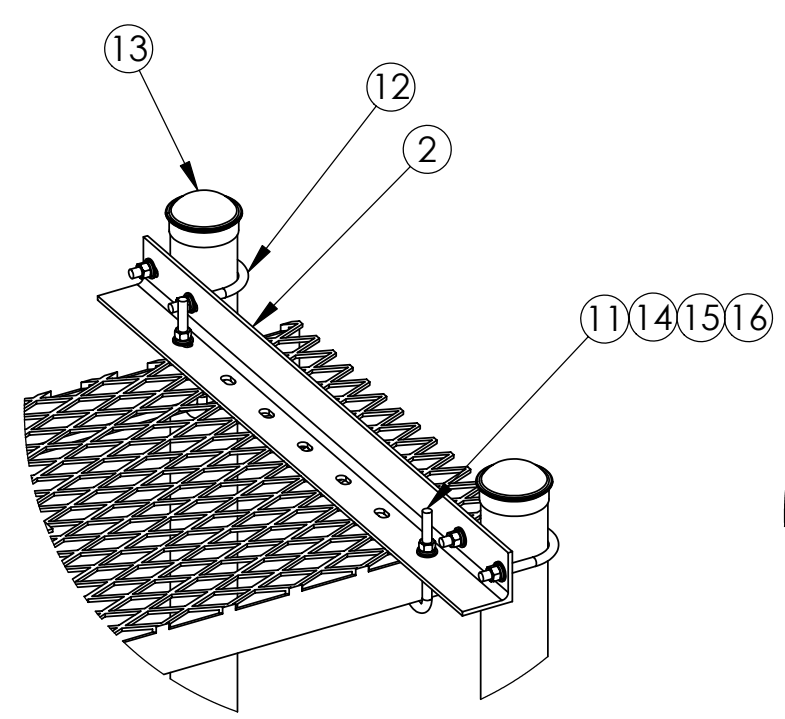
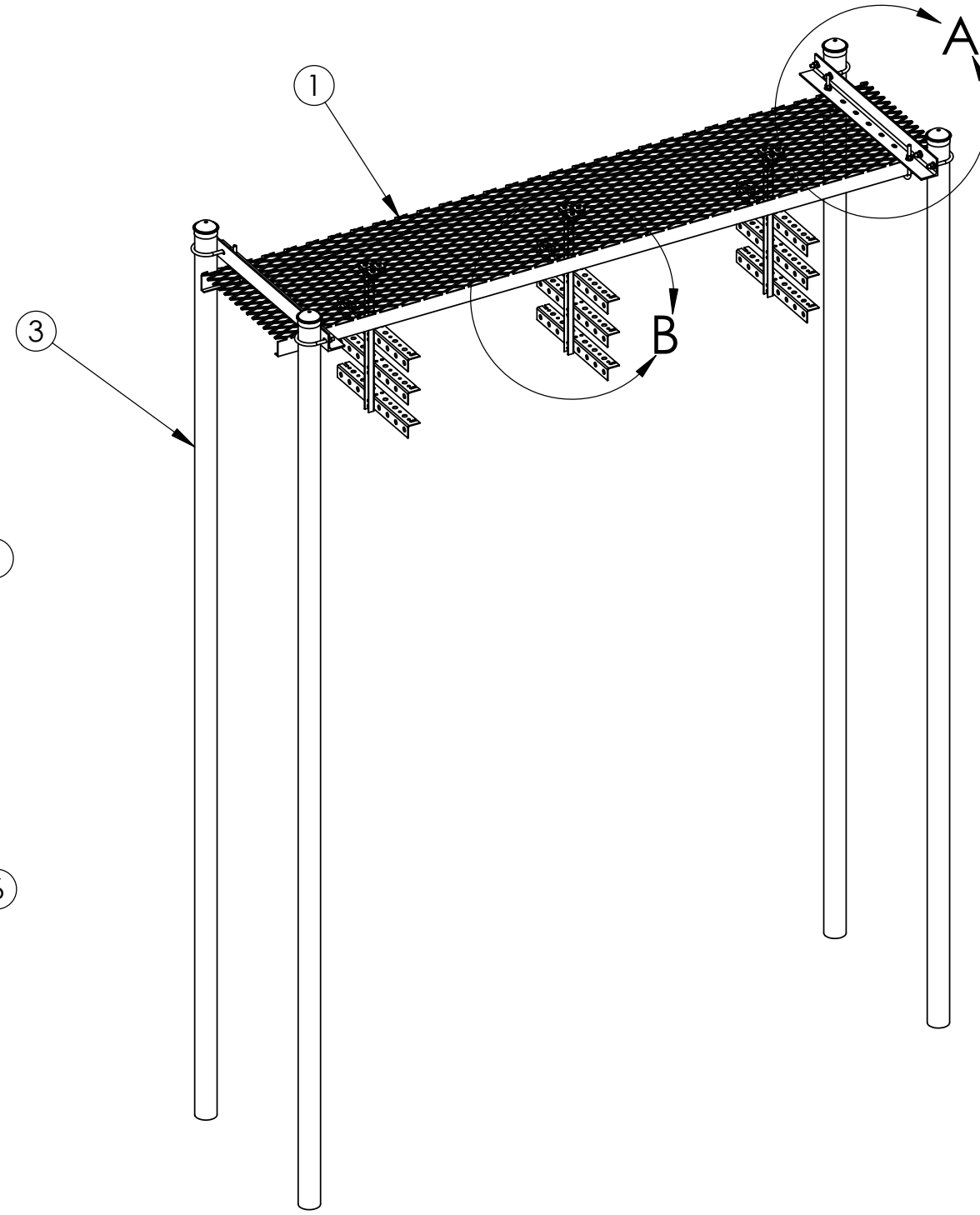
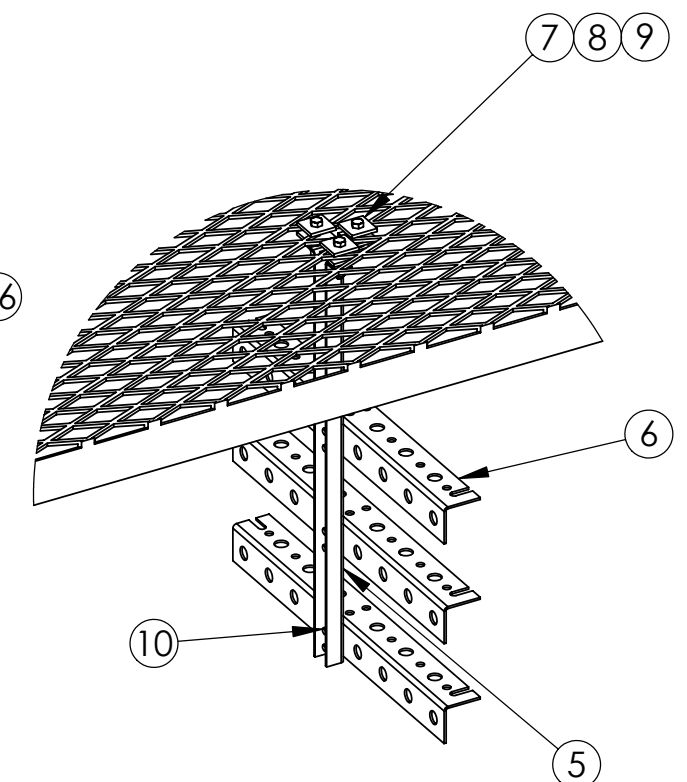


ITEM	PART NO.	DESCRIPTION	QTY.	WEIGHT
1	WB-CY210	SAFETY GRATING 24" X 10' X 12 GAUGE	1	80.01 LBS
2	WB-CS24-3.01	24" WAVEGUIDE BRIDGE SUPPORT BRACKET	2	15.40 LBS
3	MF-130	DIRECT BURIAL PIPE COLUMN, 13' 4"	4	100.91 LBS
4	WBK410BH	HARDWARE KIT ITEM#5-16	1	
5	WBT243.01	VERTICAL TRAPEZE SECTION	3	2.55 LBS
6	WBT243.02	HORIZONTAL TRAPEZE SECTION	9	2.81 LBS
7	MT-387	SQUARE WASHER, 1½" X 1½" W/ 7/16" HOLE	18	0.11 LBS
8	GB-03205	3/8" X 2" GALV BOLT KIT	9	0.20 LBS
9	GWF-03	3/8" GALV FLAT WASHER	9	0.02 LBS
10	GB-03105	3/8" X 1" GALV BOLT KIT	18	0.20 LBS
11	WB-JB-6	1/2" J-BOLT	4	0.49 LBS
12	GUB-4355	1/2" X 3-5/8" X 5" GALV U-BOLT KIT	4	0.71 LBS
13	PC-034	PIPE CAP 3-1/2"	4	0.94 LBS
14	GWF-04	1/2" GALV FLAT WASHER	12	0.02 LBS
15	GWL-04	1/2" GALV LOCK WASHER	4	0.01 LBS
16	GN-04	1/2" GALV HEX NUT	4	0.04 LBS

REVISIONS				
REV.	ZONE	DESCRIPTION	BY	DATE
E		REDRAWN IN SOLIDWORKS	AW	06/10/05



DETAIL A



DETAIL B

<p>These drawings and specifications are the proprietary property of ANDREW CORPORATION and may be used only for the specific purpose authorized in writing by Andrew Corporation.</p> <p>ALL DIMENSIONS ARE IN INCHES U.O.S. TOLERANCES UNLESS OTHERWISE SPECIFIED:</p> <p>.X = ± .06 ANGLES ± 2° .XX = ± .03 FRACTIONS ± 1/32 .XXX = ± .010</p> <p>REMOVE BURRS AND BREAK EDGES .005</p> <p>DO NOT SCALE THIS PRINT</p>	<p>DRAWN BY: AW</p> <p>CHECKED BY: TP</p> <p>DATE: 06/10/05</p> <p>REVISION: E</p>	<p>SHEET: 1 of 1</p> <p>SCALE: NTS</p> <p>MATERIAL: A36</p> <p>FINISH: GALV A123</p> <p>WEIGHT: 561.31 LBS</p>	<p>PART NUMBER: WB-K410-B</p> <p>DESCRIPTION: 24" WAVEGUIDE BRIDGE KIT</p> <p>DRAWING TYPE: ASSEMBLY DRAWING</p> <p>ANDREW®</p> <p>ORLAND PARK, IL. 60462 U.S.A.</p>
---	--	--	---