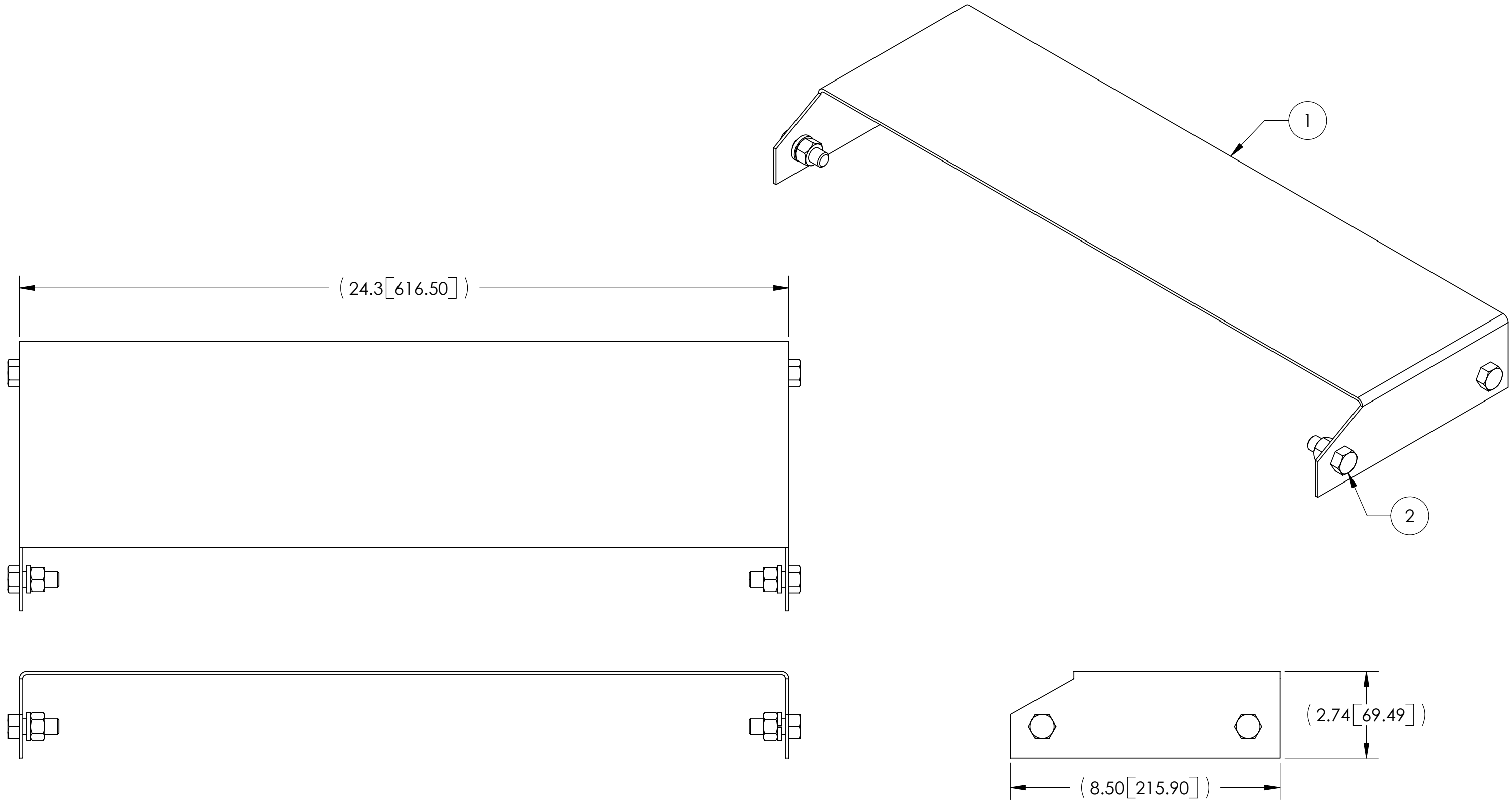



ITEM	PART NO.	DESCRIPTION	QTY.	WEIGHT
1	WBSP.01	CHANNEL SPLICE	1	5.83 LBS
2	GB-04125	1/2" X 1-1/4" GALV BOLT KIT	4	0.11 LBS

REVISIONS				
REV.	ZONE	DESCRIPTION	BY	DATE
A		INITIAL RELEASE	ACG	02/21/03
B		ADDED PLAN VIEWS	ACG	05/11/06



NOTES:  
 1. ALL METRIC DIMENSIONS ARE IN BRACKETS.

<small>These drawings and specifications are the proprietary property of ANDREW CORPORATION and may be used only for the specific purpose authorized in writing by Andrew Corporation.</small> <small>ALL DIMENSIONS ARE IN INCHES U.O.S.</small> <small>TOLERANCES UNLESS OTHERWISE SPECIFIED:</small> .X = ± .06      ANGLES      ±2° .XX = ± .03      FRACTIONS      ±1/32 .XXX = ± .010 <small>REMOVE BURRS AND BREAK EDGES .005</small> <b>DO NOT SCALE THIS PRINT</b>	<small>DRAWN BY:</small> <b>ACG</b>	<small>SHEET:</small> 1 of 1	<small>PART NUMBER:</small> <b>WB-SP</b>
	<small>CHECKED BY:</small> <b>TP</b>	<small>SCALE:</small> NTS	<small>DESCRIPTION:</small> <b>24" BRIDGE SPLICE</b>
	<small>DATE:</small> 05/11/06	<small>MATERIAL:</small> A568	<small>DRAWING TYPE:</small> ASSEMBLY DRAWING
	<small>REVISION:</small> <b>B</b>	<small>FINISH:</small> GALV A123	 ORLAND PARK, IL. 60462 U.S.A.
	<small>WEIGHT:</small> 6.53 LBS		