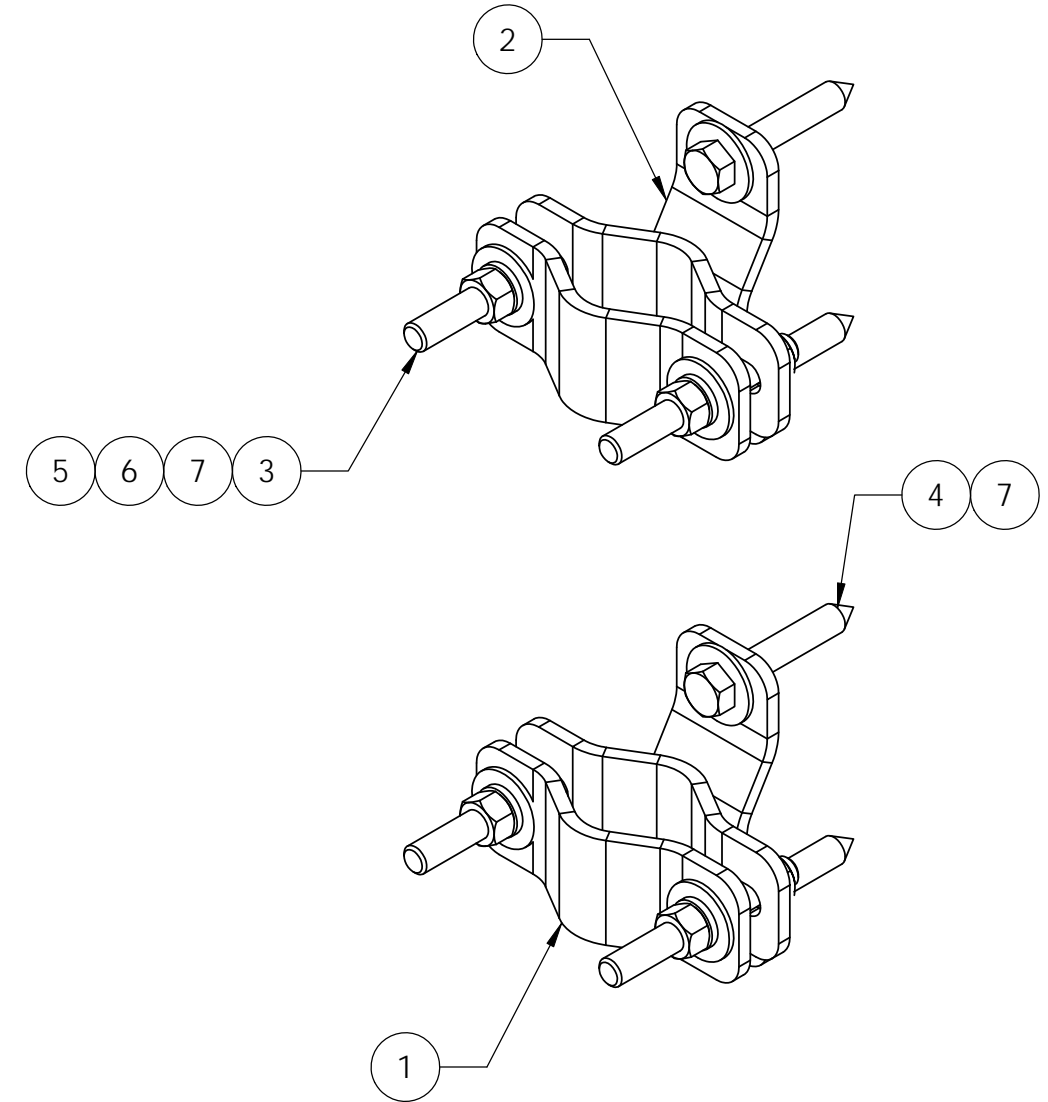
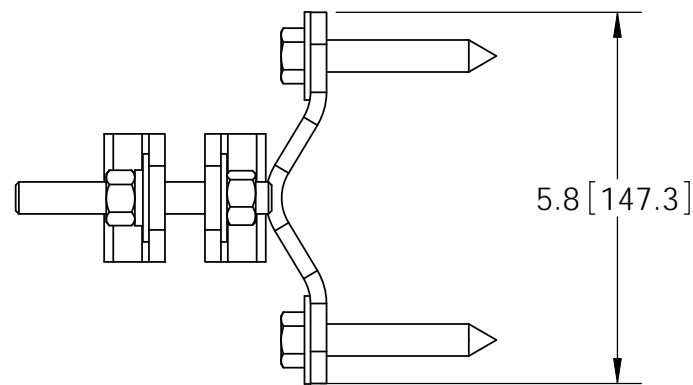
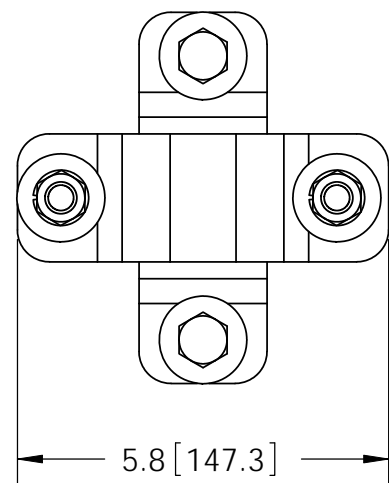
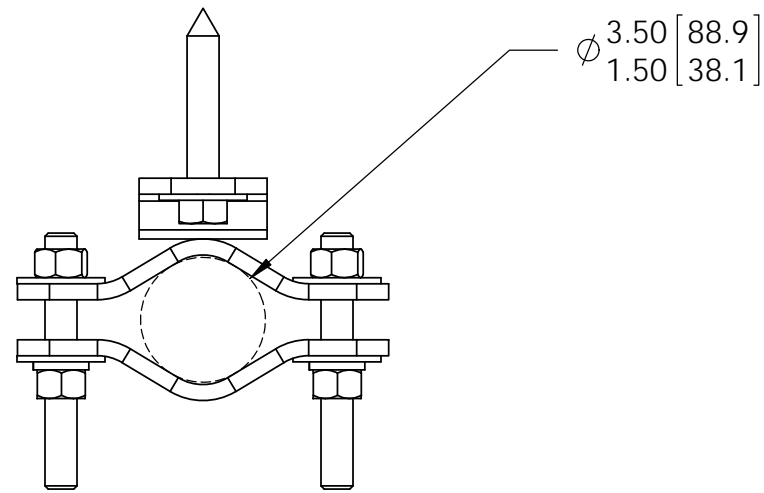


ITEM	PART NO.	DESCRIPTION	QTY.	WEIGHT
1	MTC9893WP01	Clamp Half 1-1/2"-3" OD Pipe	2	0.80 LBS
2	MTC9893WP02	Cross Wood Pole	2	1.60 LBS
3	MT-379-4	1/2" X 4" GALV THREADED ROD	4	0.22 LBS
4	GLS-0430	1/2" X 3" GALV LAG SCREW	4	0.20 LBS
5	GN-04	1/2" GALV HEX NUT	8	0.04 LBS
6	GWL-04	1/2" GALV LOCK WASHER	4	0.09 LBS
7	GWF-04	1/2" GALV FLAT WASHER	12	0.06 LBS

REVISIONS				
REV.	ZONE	DESCRIPTION	BY	DATE
A		INITIAL RELEASE	DRR	05/14/12



NOTES:
1. ALL METRIC DIMENSIONS ARE IN BRACKETS.

These drawings and specifications are the proprietary property of CommScope Inc. and may be used only for the specific purpose authorized in writing by CommScope Inc. ALL DIMENSIONS ARE IN INCHES U.O.S. TOLERANCES UNLESS OTHERWISE SPECIFIED: .X = ± .12 ANGLES ±2° .XX = ± .06 FRACTIONS ±1/32 .XXX = ± .03 REMOVE BURRS AND BREAK EDGES .005 DO NOT SCALE THIS PRINT	DRAWN BY: DRR	SHEET: 1 of 1	PART NUMBER: WP-CL
	CHECKED BY: TP	SCALE: NTS	DESCRIPTION: WOODPOLE PIPE MOUNT
	DATE: 05/14/12	MATERIAL: A36	DRAWING TYPE: ASSEMBLY DRAWING
	REVISION: A	FINISH: GALV A123	WEIGHT: 3.65 LBS