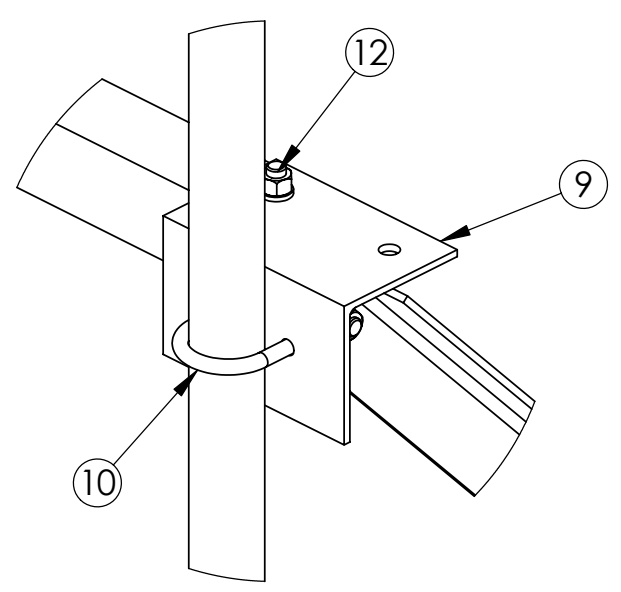
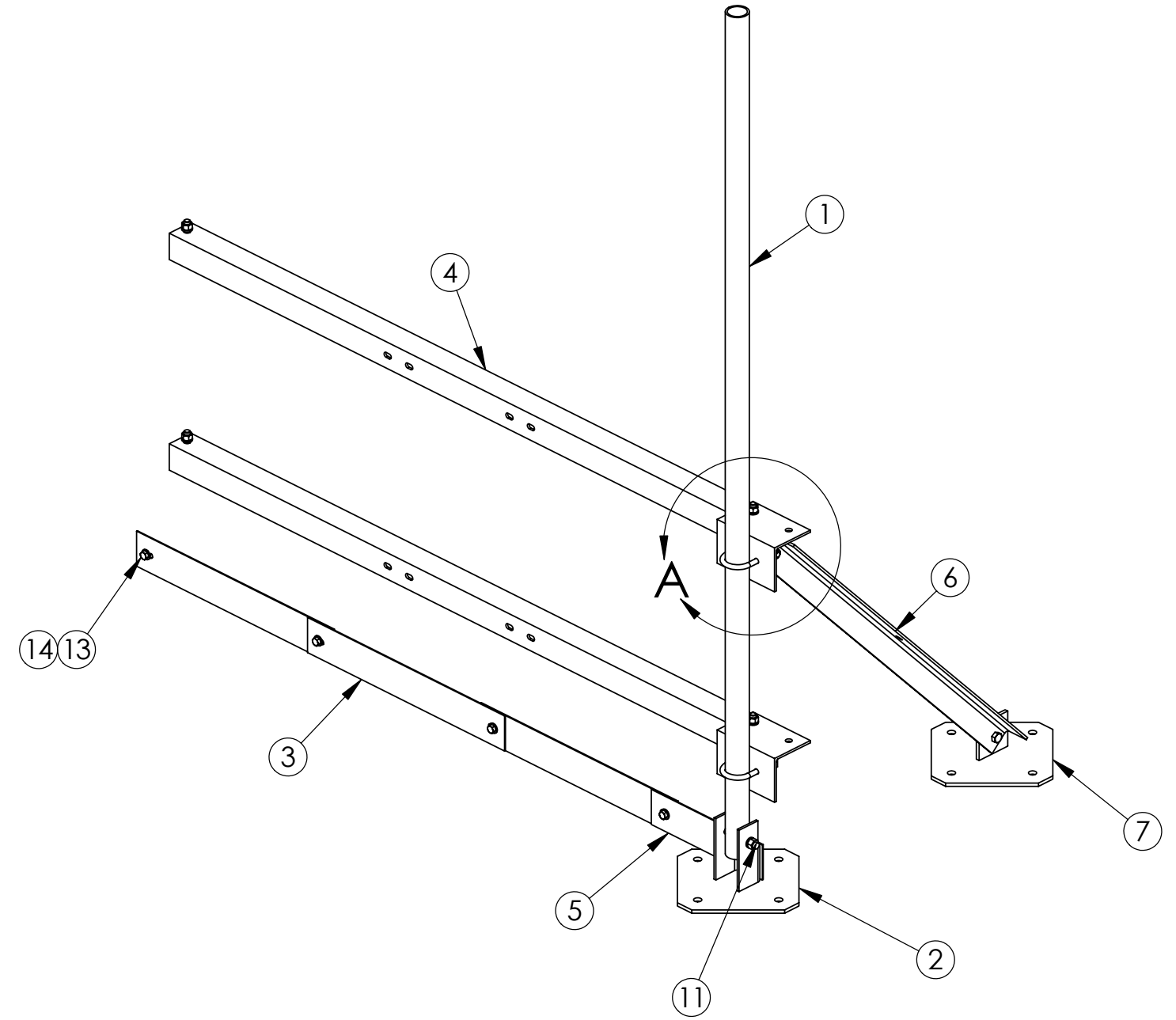



ITEM	PART NO.	DESCRIPTION	QTY.	WEIGHT
1	WRTA.32	PIPE	1	37.10 LBS
2	WRTA.19	WELDED FOOT	1	18.23 LBS
3	WRTA.27	LONG TOE BOARD SECTION	3	3.80 LBS
4	WRTA.30	ANGLE, 7'	2	32.76 LBS
5	WRTA.31	SHORT TOE BOARD SECTION	1	2.16 LBS
6	WRTA.25	KICKER ANGLE	1	19.85 LBS
7	WRTA.20	REAR FOOT	1	16.30 LBS
8	WTEH	HARDWARE KIT ITEM#9-14	1	
9	WRTA.21	WELDED BRACKET	2	7.11 LBS
10	GUB-4240	1/2" X 2-1/2" X 4" GALV U-BOLT KIT	2	0.56 LBS
11	GB-05445	5/8" X 4-1/2" GALV BOLT KIT	1	0.48 LBS
12	GB-05145	5/8" X 1-1/2" GALV BOLT KIT	6	0.22 LBS
13	GB-04145	1/2" X 1-1/2" GALV BOLT KIT	5	0.22 LBS
14	GWF-04	1/2" GALV FLAT WASHER	10	0.02 LBS

REVISIONS				
REV.	ZONE	DESCRIPTION	BY	DATE
C		NEW DESIGN	AW	4/04/05



DETAIL A



These drawings and specifications are the proprietary property of ANDREW CORPORATION and may be used only for the specific purpose authorized in writing by Andrew Corporation. ALL DIMENSIONS ARE IN INCHES U.O.S. TOLERANCES UNLESS OTHERWISE SPECIFIED: .X = ± .06 ANGLES ± 2° .XX = ± .03 FRACTIONS ± 1/32 .XXX = ± .010 REMOVE BURRS AND BREAK EDGES .005 DO NOT SCALE THIS PRINT	DRAWN BY: AW	SHEET: 1 of 1	PART NUMBER: WT-RTA7-96E
	CHECKED BY: TP	SCALE: NTS	DESCRIPTION: 7' WATER TOWER ROOF TOP SECTOR FRAME EXTENSION
	DATE: 04/04/05	MATERIAL: A36	DRAWING TYPE: ASSEMBLY DRAWING
	REVISION: C	FINISH: GALV A123	 ORLAND PARK, IL. 60462 U.S.A.
	WEIGHT: 188.90 LBS		