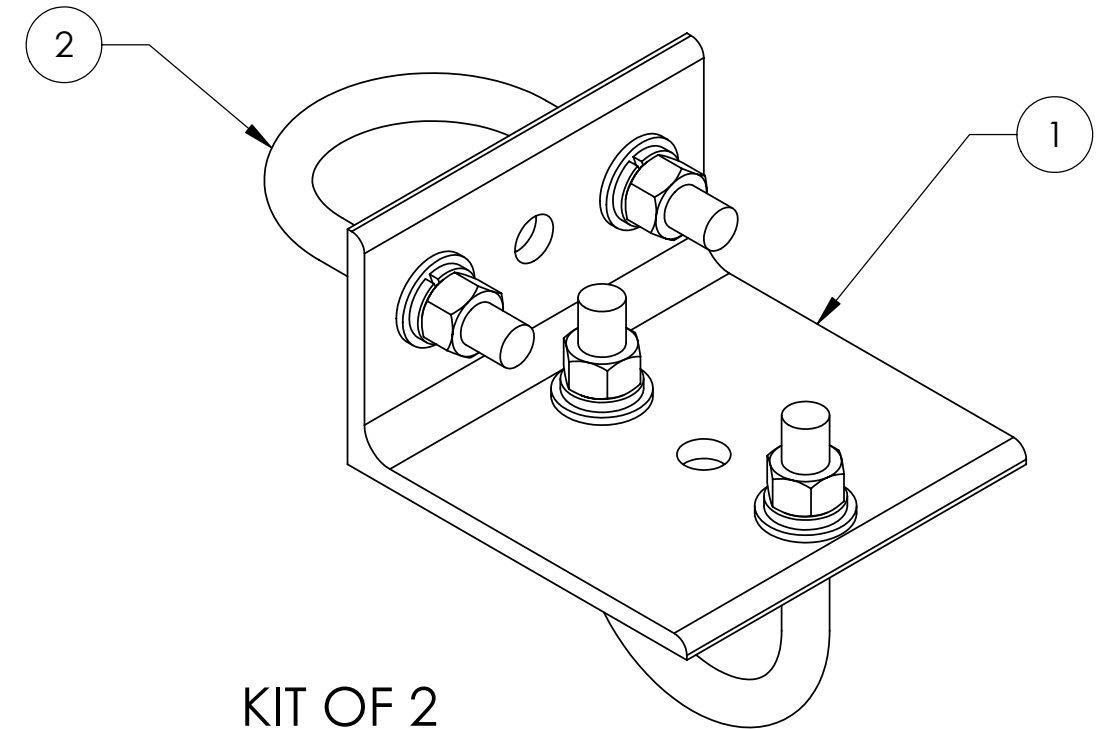
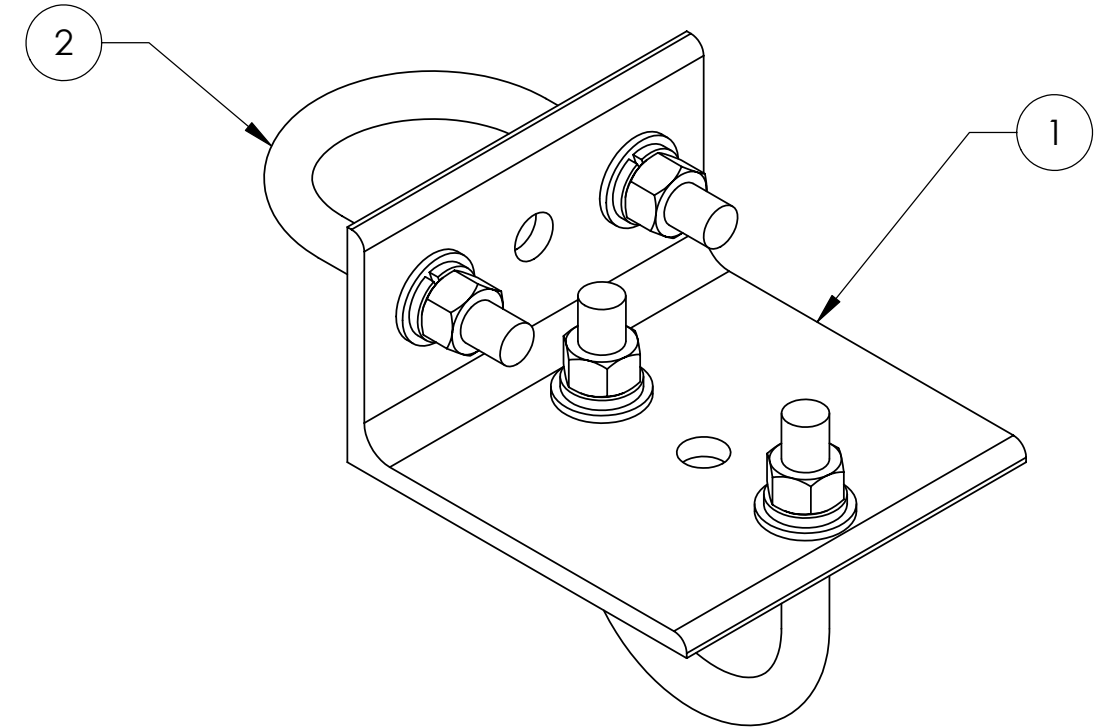
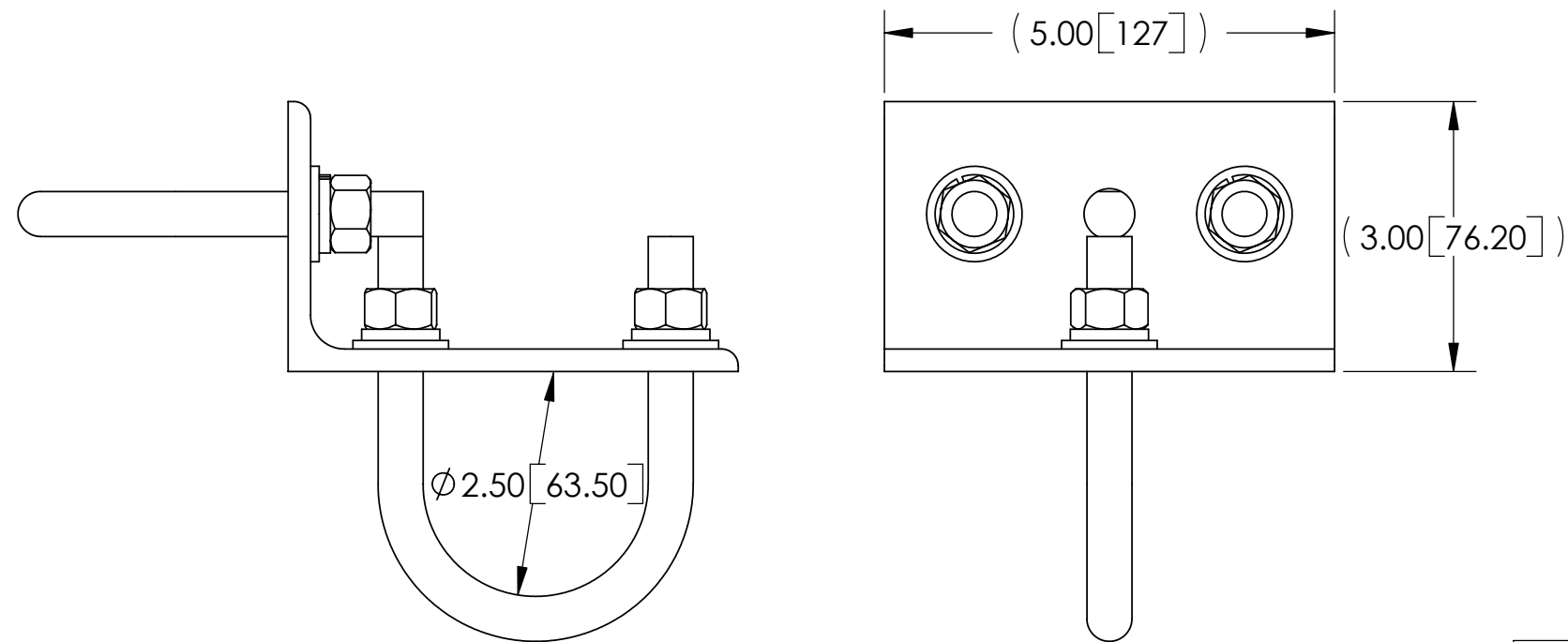
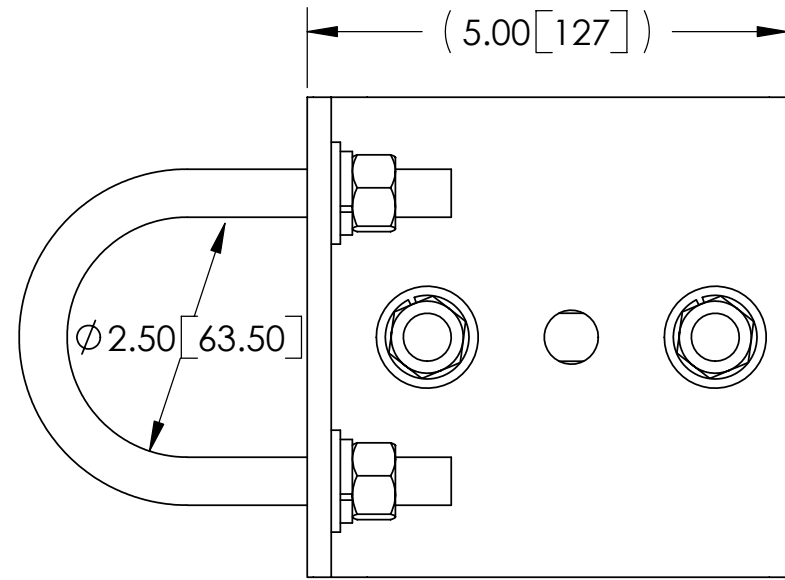



ITEM	PART NO.	DESCRIPTION	QTY.	WEIGHT
1	XA2020.01	CROSS OVER ANGLE	2	2.66 LBS
2	GUB-4240	1/2" X 2-1/2" X 4" GALV U-BOLT	4	0.56 LBS

REVISIONS				
REV.	ZONE	DESCRIPTION	BY	DATE
A		INITIAL RELEASE	AW	07/16/04
B		UPDATE VIEWS	ACG	03/30/06



KIT OF 2

NOTES:  
1. ALL METRIC DIMENSIONS ARE IN BRACKETS.

<small>These drawings and specifications are the proprietary property of ANDREW CORPORATION and may be used only for the specific purpose authorized in writing by Andrew Corporation.</small> ALL DIMENSIONS ARE IN INCHES U.O.S. TOLERANCES UNLESS OTHERWISE SPECIFIED: .X = .06      ANGLES      2° .XX = .03      FRACTIONS      1/32 .XXX = .010 REMOVE BURRS AND BREAK EDGES .005 DO NOT SCALE THIS PRINT	DRAWN BY: AW	SHEET: 1 of 1	PART NUMBER: XA-2020
	CHECKED BY: TP	SCALE: NTS	DESCRIPTION: CROSS OVER ANGLE
	DATE: 07/16/04	MATERIAL: A36	DRAWING TYPE: ASSEMBLY DRAWING
	REVISION: B	FINISH: GALV, A123 WEIGHT: 4.08 LBS	 ORLAND PARK, IL. 60462 U.S.A.