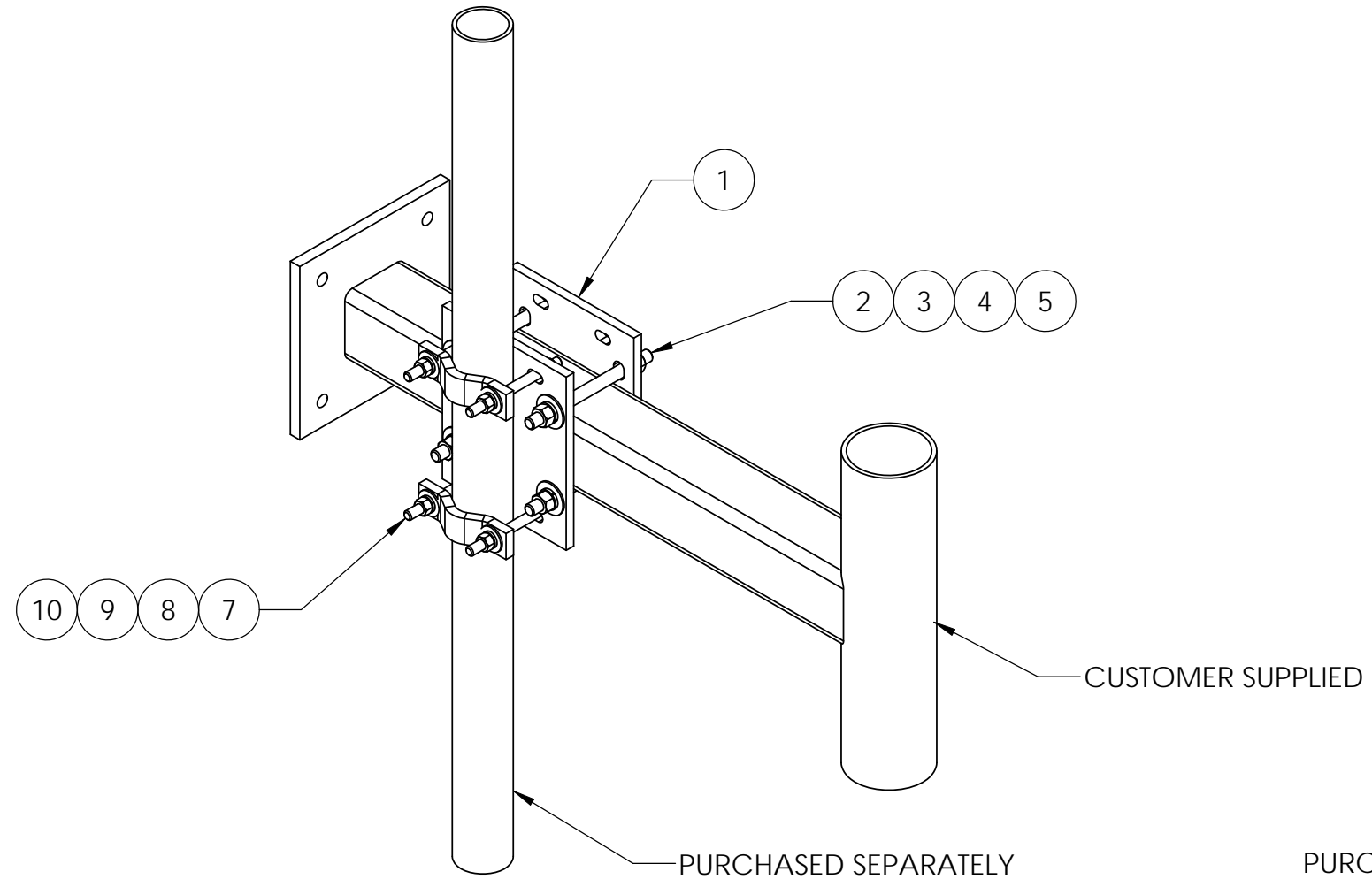
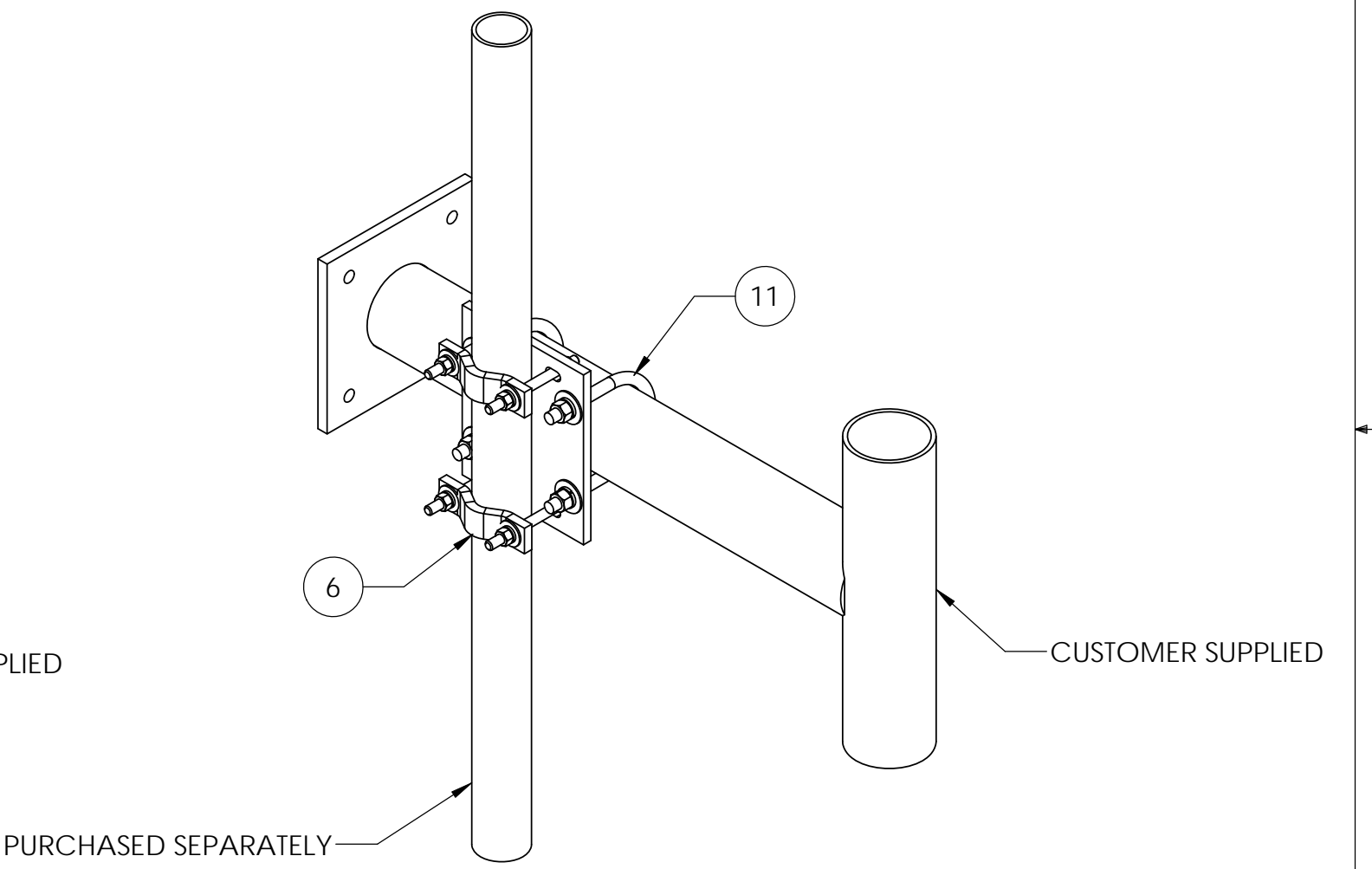


ITEM	PART NO.	DESCRIPTION	QTY.	WEIGHT
1	XP3040.01	CROSSOVER PLATE ϕ 3.5" O.D. TO ϕ 4.5" O.D.	2	11.01 LBS
2	MT-381-8	5/8" X 8" GALV THREADED ROD	4	0.69 LBS
3	GWF-05	5/8" GALV FLAT WASHER	8	0.06 LBS
4	GWL-05	5/8" GALV LOCK WASHER	8	0.09 LBS
5	GN-05	5/8" GALV HEX NUT	8	0.04 LBS
6	SCP10	SMALL DISH CLAMP HALF	2	1.20 LBS
7	MT-379-6	1/2" X 6" GALV THREADED ROD	4	0.33 LBS
8	GWF-04	1/2" GALV FLAT WASHER	8	0.06 LBS
9	GWL-04	1/2" GALV LOCK WASHER	8	0.09 LBS
10	GN-04	1/2" GALV HEX NUT	8	0.04 LBS
11	GUB-5456	5/8" X 4-5/8" X 6 1/2" GALV U-BOLT	2	1.44 LBS

REVISIONS				
REV.	ZONE	DESCRIPTION	BY	DATE
A		INITIAL RELEASE	MSM	02/02/12




SQUARE TUBE SET-UP



ROUND TUBE SET-UP

NOTES:
 1. ALL METRIC DIMENSIONS ARE IN BRACKETS.

<small>These drawings and specifications are the proprietary property of ANDREW CORPORATION and may be used only for the specific purpose authorized in writing by Andrew Corporation.</small> ALL DIMENSIONS ARE IN INCHES U.O.S. TOLERANCES UNLESS OTHERWISE SPECIFIED: .X = \pm .12 ANGLES \pm 2° .XX = \pm .06 FRACTIONS \pm 1/32 .XXX = \pm .03 REMOVE BURRS AND BREAK EDGES .005 DO NOT SCALE THIS PRINT	DRAWN BY: MSM	SHEET: 1 of 1	PART NUMBER: XP-197-US
	CHECKED BY: TP	SCALE: NTS	DESCRIPTION: RRH Standoff Mount Universal Single
	DATE: 02/02/12	MATERIAL: A36, A500	DRAWING TYPE: ASSEMBLY DRAWING
	REVISION: A	FINISH: GALV A123	
	WEIGHT: 33.41 LBS	WESTCHESTER, IL. 60154 U.S.A.	