

Optical Passives (ISP)

OP34M8C, OP34M10C

8- and 10-channel CWDM Multiplexers with Integrated 1310 nm Combiner/Splitter, -20 dB Line Monitoring Tap and LC/APC Connectors

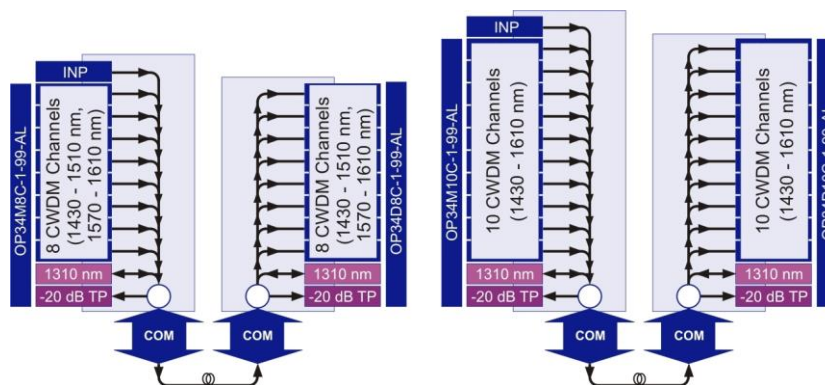
FEATURES

- Flat and wide operating passband on CWDM ITU grid (20 nm spacing)
- Low polarization dependent loss (PDL)
- Telcordia GR-1209 and GR-1221 qualified, providing excellent environmental and mechanical stability
- Integrated 1310 nm combiner/splitter
- Line monitoring tap
- Occupies one half-depth slot
- 1310 nm can act as cascade port



PRODUCT OVERVIEW

The ARRIS OP34M8C and OP34M10C series 8- and 10-channel CWDM multiplexers are designed to multiplex several CWDM ITU-grid optical wavelengths onto one fiber output, with individual wavelengths ranging from 1430 to 1610 nm (with 20 nm spacing between channels) in the model OP34M10C, and 8 of the same 10 wavelengths (excepting 1530 and 1550 nm) in the model OP34M8C.



SPECIFICATIONS

Characteristics	Specification
Physical	
Dimensions	6.5" D x 4.3" H x 1.0" W (3RU) (16.5 cm x 11 cm x 2.5 cm)
Weight	1.5 lbs (0.7 kg)
Environmental	
Operating temperature range	-20° to +65°C (-4° to +149°F)
Storage temperature range	-40° to +85°C (-40° to +185°F)
Humidity	5% to 95% non-condensing
Optical (all models)	
Passband @ 0.15 dB	
CWDM Ch. xxxx to COM	± 6.5 nm
INP to COM	1264.5-1617.5 nm except for add/drop xxxx
Return loss, min	45 dB
CWDM directivity, min	55 dB
1310 directivity, min	65 dB
1310-COM isolation, min:	60 dB
Polarization dependent loss, max	0.15 dB (< 0.1 dB typ)
Ripple within passband	0.5 dB
COM to -20 dB Tap Ratio (including connectors), max	20.4 dB
Channel spacing	20 nm
Power handling, max (any input port)	21.8 dBm
Optical Interface	
Optical connectors	LC/APC
Model OP34M8C-1-99-AL	<ul style="list-style-type: none"> COM (output to fiber network; I/O to/from fiber network for 1310) INP (cascade channel input) 1310 (input/output to/from fiber network for 1310) Ch. xxxx INP (8 channels added for xxxx = 1430, 1450, 1470, 1490, 1510, 1570, 1590 and 1610 nm) TP -20 dB (1% tap, test point from COM)
Model OP34M10C-1-99-AL	<ul style="list-style-type: none"> COM (output to fiber network; I/O to/from fiber network for 1310) INP (cascade channel input) 1310 (input/output to/from fiber network for 1310) Ch. xxxx INP (10 channels added for xxxx = 1430, 1450, 1470, 1490, 1510, 1530, 1550, 1570, 1590 and 1610 nm) TP -20 dB (1% tap, test point from COM)

TABLE 1

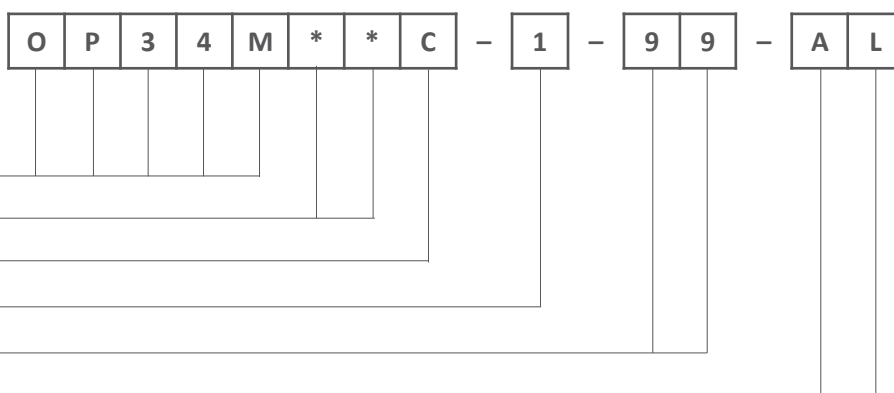
	Model Number	
	OP34M8C-1-99-AL	OP34M10C-1-99-AL
Insertion losses, max ¹ (dB)		
Ch. xxxx INP to COM	3.4	3.9
INP to COM	2.9	3.4
1310 to COM	1.6	1.6
Paired insertion loss ²	5.0	5.5

NOTES:

¹Including connectors;

²(Paired insertion loss when combined with 8- or 10-wavelength demux module from Ch. xxxx INP to Ch. xxxx OUT)

ORDERING INFORMATION



- CWDMM Multiplexer
- ** = number of channels (8 or 10)
- Reserved field
- 1310 nm I/O Port present
- 20 dB Test Port present
- AL = LC/APC Connector

RELATED PRODUCTS

DT4250N-50-00	OP34D8C
DT6250N-50-00	OP94M8C
	OP94D8C
	OP34D10C

Customer Care

Contact Customer Care for product information and sales:

- United States: 866-36-ARRIS
- International: +1-678-473-5656

Note: Specifications are subject to change without notice.

Copyright Statement: ©ARRIS Enterprises, LLC, 2016. All rights reserved. No part of this publication may be reproduced in any form or by any means or used to make any derivative work (such as translation, transformation, or adaptation) without written permission from ARRIS Enterprises, LLC ("ARRIS"). ARRIS reserves the right to revise this publication and to make changes in content from time to time without obligation on the part of ARRIS to provide notification of such revision or change. ARRIS and the ARRIS logo are registered trademarks of ARRIS Enterprises, LLC. Other trademarks and trade names may be used in this document to refer to either the entities claiming the marks or the names of their products. ARRIS disclaims proprietary interest in the marks and names of others. The capabilities, system requirements and/or compatibility with third-party products described herein are subject to change without notice.