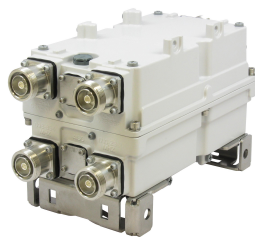


CDX723AT-DS | E15V95P46



Twin Diplexer, 698–894 MHz/1710–2360 MHz, dc sense

- Automatic dc switching with dc sense
- dc redundancy with dummy current sink
- Convertible mounting brackets
- Stackable to single unit with included hardware
- Stackable in multiples with included hardware
- BTS-to-feeder and feeder-to-antenna application

OBSOLETE

This product was discontinued on: June 1, 2020

Replaced By:

CBC426T-DS-43
E14F05P31

Twin Diplexer, 380–960 MHz/1695–2690 MHz,dc Sense,4.3-10

Product Classification

Product Type Diplexer

General Specifications

Product Family CDX723A

Color Gray

Common Port Label Common

Modularity 2-Twin

Mounting Frame | Pole | Rack | Rod | Wall

Mounting Pipe Hardware Band clamps (2)

RF Connector Interface 7-16 DIN Female

RF Connector Interface Body Style Medium neck

Dimensions

Height 225 mm | 8.858 in

Width 125 mm | 4.921 in

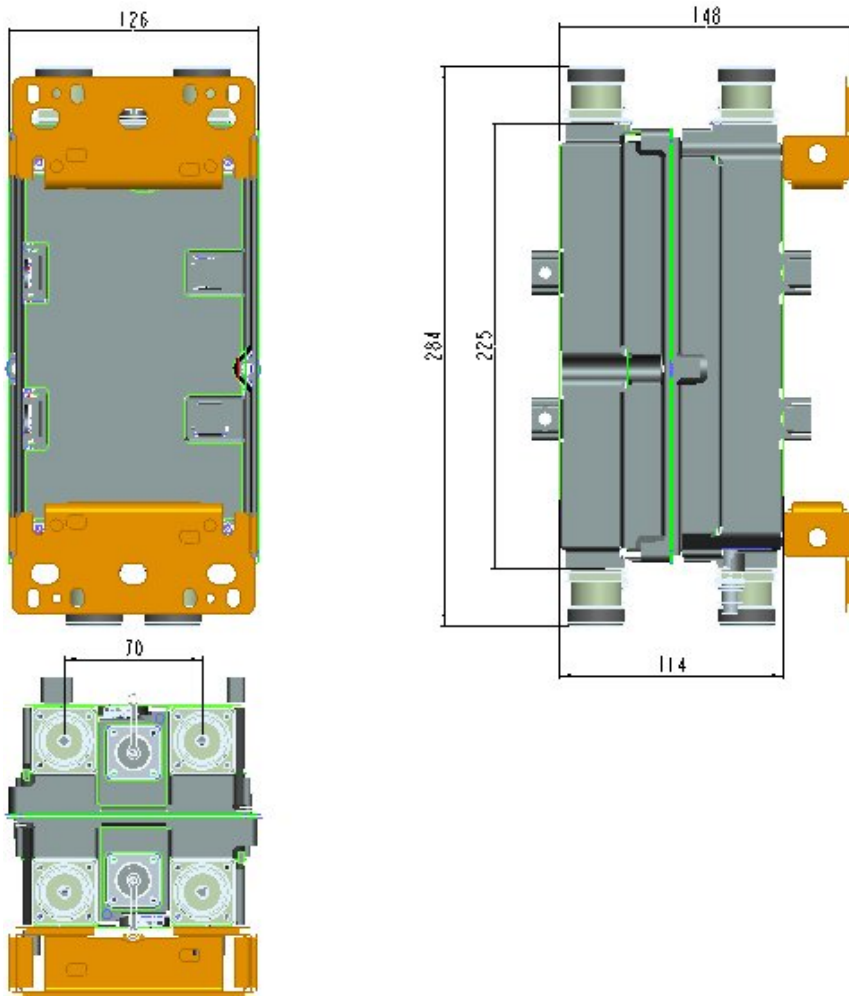
Depth 115 mm | 4.528 in

Ground Screw Diameter 8 mm | 0.315 in

Mounting Pipe Diameter Range 40–160 mm

CDX723AT-DS | E15V95P46

Outline Drawing



Electrical Specifications

Impedance	50 ohm
License Band, Band Pass	APT 700 AWS 1700 CEL 850 DCS 1800 EDD 800 IMT 2100 LMR 750 LMR 800 PCS 1900 USA 700 USA 750 WCS 2300

Electrical Specifications, dc Power/Alarm

dc/AISG Pass-through, combiner	dc Sensing
dc/AISG Pass-through, demultiplexer	Branch 2
Lightning Surge Current	10 kA
Lightning Surge Current Waveform	8/20 waveform
Operating Current at Voltage	14 mA @ 12 V 18 mA @ 24 V

CDX723AT-DS | E15V95P46

Voltage 7–30 Vdc

Electrical Specifications, AISG

AISG Carrier 2176 KHz ± 100 ppm
Insertion Loss, maximum 0.5 dB
Return Loss, minimum 15 dB

Electrical Specifications

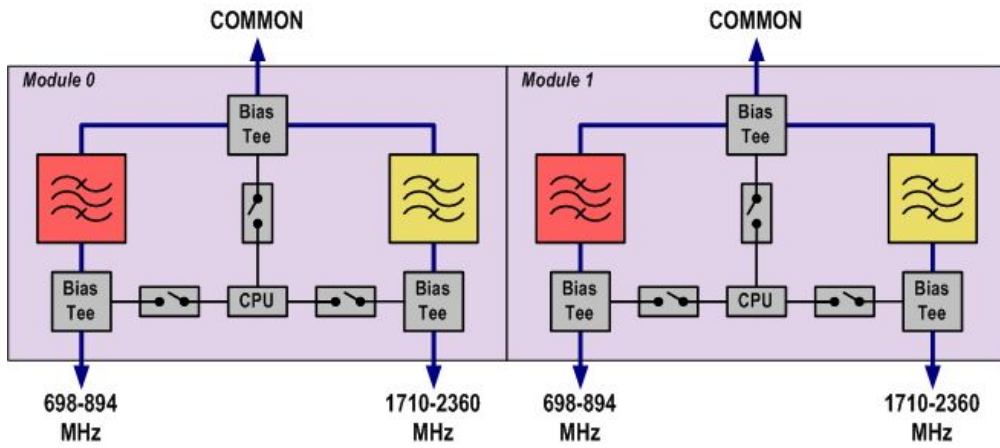
Sub-module	1 2	1 2
Branch	1	2
Port Designation	698–894	1710–2360
License Band	APT 700, Band Pass CEL 850, Band Pass EDD 800, Band Pass LMR 750, Band Pass LMR 800, Band Pass USA 700, Band Pass USA 750, Band Pass	AWS 1700, Band Pass DCS 1800, Band Pass IMT 2100, Band Pass PCS 1900, Band Pass WCS 2300, Band Pass

Electrical Specifications, Band Pass

	698–894	1710–2360
Frequency Range, MHz		
Insertion Loss, maximum, dB	0.15	0.15
Insertion Loss, typical, dB	0.1	0.1
Total Group Delay, maximum, ns	10	10
Return Loss, minimum, dB	22	22
Return Loss, typical, dB	25	25
Isolation, minimum, dB	60	60
Input Power, RMS, maximum, W	500	500
Input Power, PEP, maximum, W	5000	5000
3rd Order PIM, typical, dBc	-155	-155
3rd Order PIM Test Method	2 x 20 W CW tones	2 x 20 W CW tones

Block Diagram

CDX723AT-DS | E15V95P46



Logic Table

Combining Mode Operation (Ground Based)			
698–894 MHz	1710–2360 MHz	COMMON	DC/AISG Path Selection
Any voltage	>19 V	<7	698–894 MHz "OFF" 1710–2360 MHz to COMMON "ON"
$7 \leq V \leq 30$	<7 V	<7	698–894 MHz "ON" 1710–2360 MHz "OFF"
<7 V	$7 \leq V \leq 30$	<7	698–894 MHz "OFF" 1710–2360 MHz to COMMON "ON"
$V < 7$ or $V > 30$	$V < 7$ or $V > 30$	<7	ALL ports OFF

Splitting Mode Operation (Tower top)			
RF Ports Input Voltage			
698–894 MHz	1710–2360 MHz	COMMON	DC/AISG Path Selection
<7 V	<7 V	>7 V	698–894 MHz "OFF" 1710–2360 MHz to COMMON "ON"
$7 \leq V \leq 30$	<7 V	>7 V	ALL ports OFF
<7 V	$7 \leq V \leq 30$	>7 V	ALL ports OFF

Environmental Specifications

Operating Temperature	-40 °C to +65 °C (-40 °F to +149 °F)
Relative Humidity	5%–100%
Corrosion Test Method	IEC 60068-2-11, 30 days
Ingress Protection Test Method	IEC 60529:2001, IP67

Packaging and Weights

Included	Mounting hardware
Mounting Hardware Weight	0.2 kg 0.441 lb
Volume	3.2 L
Weight, net	4.6 kg 10.141 lb
Weight, without mounting hardware	3.2 kg 7.055 lb

Regulatory Compliance/Certifications

Agency	Classification
ISO 9001:2015	Designed, manufactured and/or distributed under this quality management system

