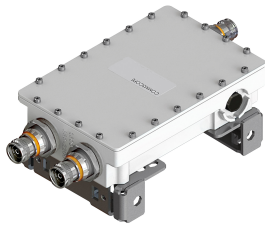


CBC4W26-DP-43 | E14F05P20



Diplexer, 380–2200 MHz/2300–2690 MHz, DC Pass, 4.3-10

- New 4.3-10 connectors for improved PIM performance and size reduction
- Extremely wide lower passband (380-2200 MHz) provides flexibility for various combining schemes
- DC/AISG passing on all ports

Product Classification

Product Type Diplexer

General Specifications

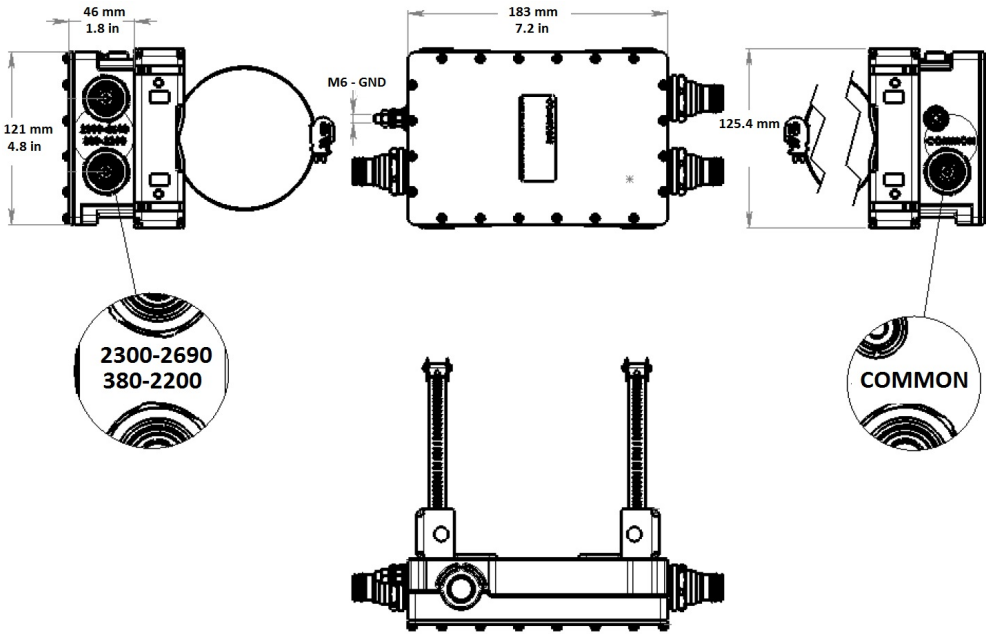
Product Family CBC426
Color Gray
Common Port Label ANT
Modularity 1-Single
Mounting Pole | Wall
Mounting Pipe Hardware Band clamps (2)
RF Connector Interface 4.3-10 Female
RF Connector Interface Body Style Medium neck

Dimensions

Height 183 mm | 7.205 in
Width 121 mm | 4.764 in
Depth 46 mm | 1.811 in
Ground Screw Diameter 5 mm | 0.197 in
Mounting Pipe Diameter Range 42.6–122 mm

Outline Drawing

CBC4W26-DP-43 | E14F05P20



Electrical Specifications

Impedance	50 ohm
License Band, Band Pass	APT 700 AWS 1700 CEL 850 CEL 900 DCS 1800 EDD 800 IMT 2100 IMT 2600 LMR 750 LMR 800 LMR 900 PCS 1900 TDD 1900 TDD 2300 TDD 2600 USA 700 USA 750 WCS 2300

Electrical Specifications, dc Power/Alarm

dc/AISG Pass-through Method	Factory set
dc/AISG Pass-through Path	Branch 1 Branch 2

Electrical Specifications, AISG

AISG Carrier	2176 KHz ± 100 ppm
Insertion Loss, maximum	0.5 dB
Return Loss, minimum	15 dB

Electrical Specifications

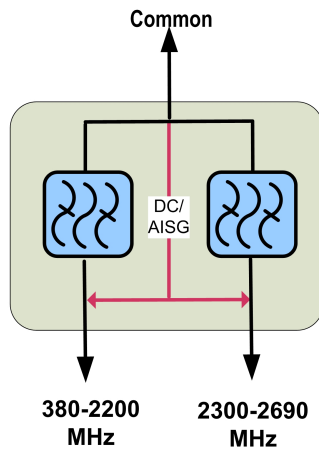
Sub-module	1	1
Branch	1	2
Port Designation	PORT 1 380-2200	PORT 2 2300-2690

Electrical Specifications, Band Pass

CBC4W26-DP-43 | E14F05P20

Frequency Range, MHz	380–2200	2300–2690
Insertion Loss, typical, dB	0.2	0.2
Total Group Delay, maximum, ns	8	13
Return Loss, typical, dB	22	22
Isolation, minimum, dB	50	50
Input Power, RMS, maximum, W	200	200
Input Power, PEP, maximum, W	2000	2000
3rd Order PIM, typical, dBc	-158	-158
3rd Order PIM Test Method	2 x 20 W CW tones	2 x 20 W CW tones

Block Diagram



Mechanical Specifications

Wind Loading @ Velocity, frontal	11.0 N @ 150 km/h (2.5 lbf @ 150 km/h)
Wind Loading @ Velocity, lateral	2.0 N @ 150 km/h (0.4 lbf @ 150 km/h)

Environmental Specifications

Operating Temperature	-40 °C to +65 °C (-40 °F to +149 °F)
Relative Humidity	5%–100%
Corrosion Test Method	IEC 60068-2-11, 30 days
Ingress Protection Test Method	IEC 60529:2001, IP67

Packaging and Weights

Included	Mounting hardware
----------	-------------------

CBC4W26-DP-43 | E14F05P20

Volume	1 L
Weight, net	2.7 kg 5.952 lb
Weight, without mounting hardware	2.1 kg 4.63 lb

Regulatory Compliance/Certifications

Agency

ISO 9001:2015

**Classification**

Designed, manufactured and/or distributed under this quality management system