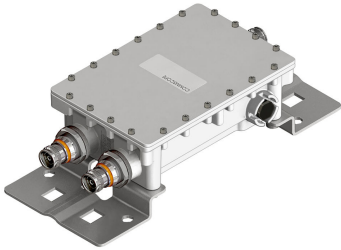


CBC4W26-DS-43 | E14F05P87



Diplexer, 380–2200 MHz/2300–2690 MHz, DCauto, with 4.3-10 connectors

- Industry leading PIM performance
- New 4.3-10 connectors for improved PIM performance and size reduction
- Designed for network modernization application, introduction of LTE2300 and LTE2600 on existing site
- Minimal Insertion Loss
- Ultra-wideband low-band combiner
- Ultra-wideband high-band combiner
- DC/AISG SMART bypass functionality
- Single configuration

Product Classification

Product Type Diplexer

General Specifications

Color Gray

Common Port Label ANT

Modularity 1-Single

Mounting Pole | Wall

Mounting Pipe Hardware Band clamps (2)

RF Connector Interface 4.3-10 Female

RF Connector Interface Body Style Medium neck

Dimensions

Height 183 mm | 7.205 in

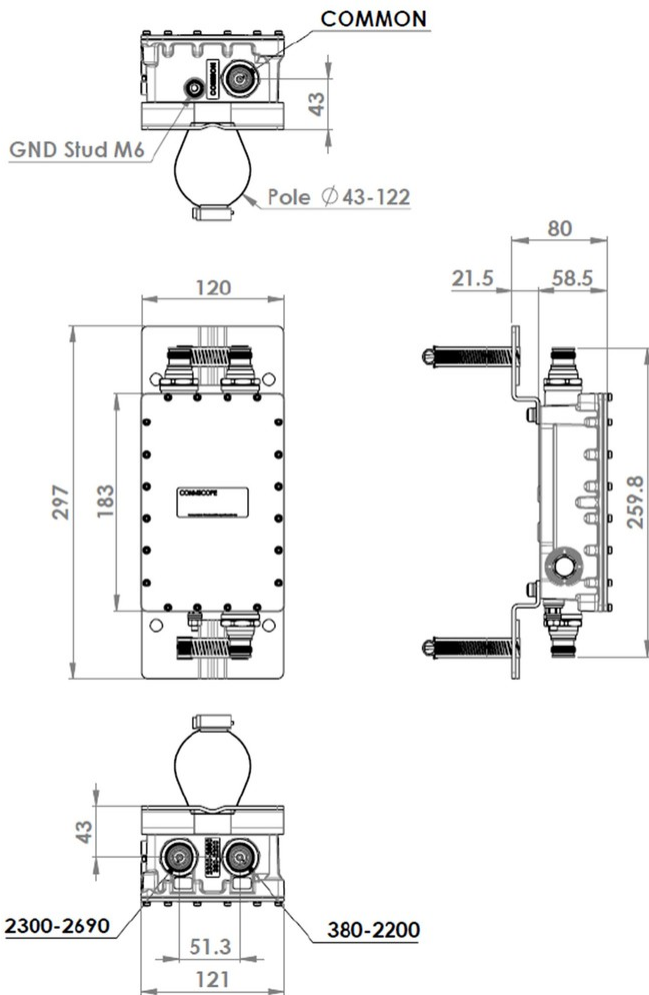
Width 121 mm | 4.764 in

Depth 59 mm | 2.323 in

Ground Screw Diameter 5 mm | 0.197 in

Mounting Pipe Diameter Range 40–160 mm

Outline Drawing



Electrical Specifications

Impedance 50 ohm

Electrical Specifications, dc Power/Alarm

dc/AISG Pass-through Method Auto sensing
dc/AISG Pass-through, combiner dc Smart Bypass
dc/AISG Pass-through, demultiplexer dc Smart Bypass
Lightning Surge Current 5 kA
Lightning Surge Current Waveform 8/20 waveform

Electrical Specifications, AISG

AISG Carrier 2176 KHz ± 100 ppm

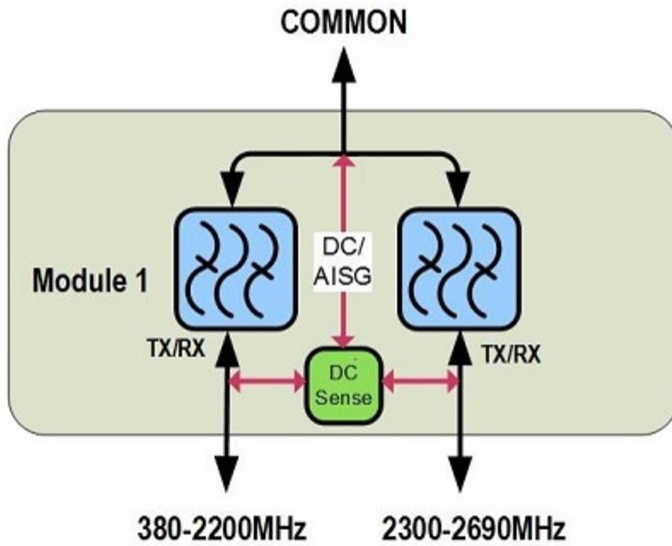
Electrical Specifications

Sub-module	1 2	1 2
Branch	1	2
Port Designation	PORT 1 380-2200	PORT 2 2300-2690
License Band	APT 700, Band Pass CEL 850, Band Pass CEL 900, Band Pass EDD 800, Band Pass LMR 750, Band Pass LMR 800, Band Pass LMR 900, Band Pass USA 700, Band Pass USA 750, Band Pass DCS 1800, Band Pass TDD 1900, Band Pass IMT 2100, Band Pass	TDD 2600, Band Pass IMT 2600, Band Pass WCS 2300, Band Pass TDD 2300, Band Pass

Electrical Specifications, Band Pass

	380–2200	2300–2690
Frequency Range, MHz	380–2200	2300–2690
Insertion Loss, typical, dB	0.2	0.2
Total Group Delay, maximum, ns	8	13
Return Loss, typical, dB	20	22
Isolation, minimum, dB	50	50
Input Power, RMS, maximum, W	200	200
Input Power, PEP, maximum, W	2000	2000
3rd Order PIM, typical, dBc	-161	-161
3rd Order PIM Test Method	Two +43 dBm carriers	Two +43 dBm carriers

Block Diagram



Mechanical Specifications

Wind Loading @ Velocity, frontal	32.0 N @ 150 km/h (7.2 lbf @ 150 km/h)
Wind Loading @ Velocity, lateral	13.0 N @ 150 km/h (2.9 lbf @ 150 km/h)

Environmental Specifications

Operating Temperature	-40 °C to +65 °C (-40 °F to +149 °F)
Ingress Protection Test Method	IEC 60529:2001, IP67

Packaging and Weights

Included	Mounting hardware
Volume	1.3 L
Weight, net	2.5 kg 5.512 lb
Weight, without mounting hardware	2 kg 4.409 lb

Regulatory Compliance/Certifications

Agency	Classification
ISO 9001:2015	Designed, manufactured and/or distributed under this quality management system

