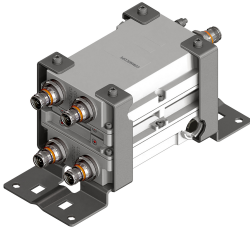


# CBC4W26T-DS-43 | E14F05P26



Twin Diplexer, 380–2200 MHz/2300–2690 MHz, DCauto, with 4.3-10 connectors

- Industry leading PIM performance
- New 4.3-10 connectors for improved PIM performance and size reduction
- Designed for network modernization application, introduction of LTE2300 and LTE2600 on existing site
- Twin configuration
- Minimal Insertion Loss
- Ultra-wideband low-band combiner
- Ultra-wideband high-band combiner
- DC/AISG SMART bypass functionality

## Product Classification

**Product Type** Diplexer

## General Specifications

**Color** Gray

**Common Port Label** ANT

**Modularity** 2-Twin

**Mounting** Pole | Wall

**Mounting Pipe Hardware** Band clamps (2)

**RF Connector Interface** 4.3-10 Female

**RF Connector Interface Body Style** Medium neck

## Dimensions

**Height** 183 mm | 7.205 in

**Width** 121 mm | 4.764 in

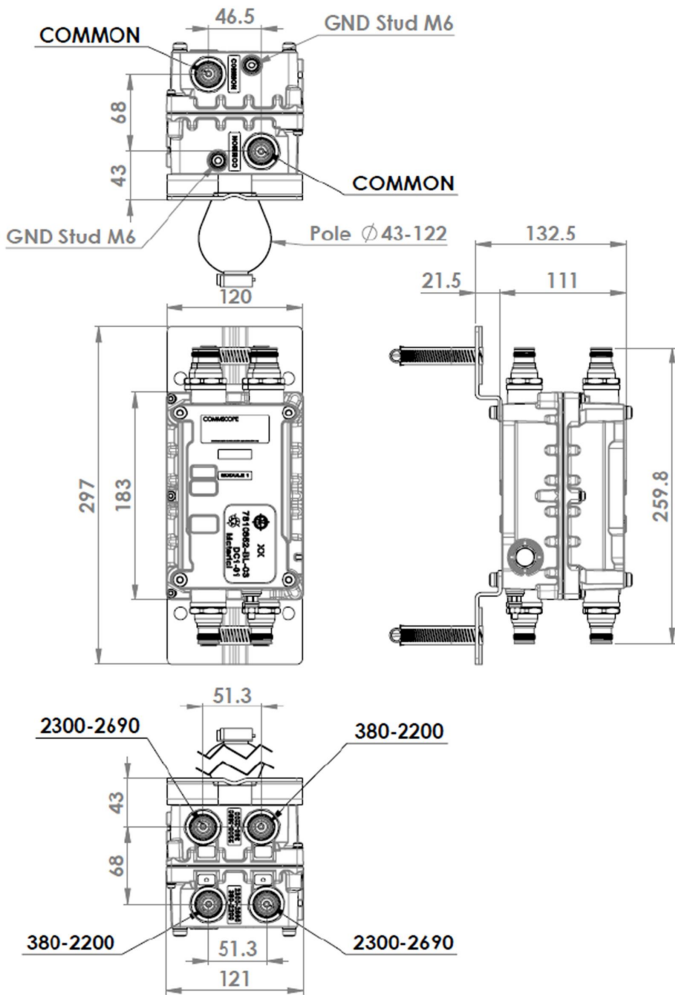
**Depth** 111 mm | 4.37 in

**Ground Screw Diameter** 5 mm | 0.197 in

**Mounting Pipe Diameter Range** 40–160 mm

## Outline Drawing

# CBC4W26T-DS-43 | E14F05P26



## Electrical Specifications

<b>Impedance</b>	50 ohm
<b>License Band, Band Pass</b>	APT 700   AWS 1700   CEL 850   CEL 900   DCS 1800   EDD 800   IMT 2100   IMT 2600   LMR 750   LMR 800   LMR 900   PCS 1900   TDD 2300   TDD 2600   USA 700   USA 750   WCS 2300

## Electrical Specifications, dc Power/Alarm

<b>dc/AISG Pass-through Method</b>	Auto sensing
<b>dc/AISG Pass-through Path</b>	Auto sensing circuitry detects dc/AISG signal presence and selects path
<b>dc/AISG Pass-through, combiner</b>	dc Smart Bypass
<b>dc/AISG Pass-through, demultiplexer</b>	dc Smart Bypass
<b>Lightning Surge Current</b>	5 kA
<b>Lightning Surge Current Waveform</b>	8/20 waveform

# CBC4W26T-DS-43 | E14F05P26

## Electrical Specifications, AISG

**AISG Carrier** 2176 KHz ± 100 ppm

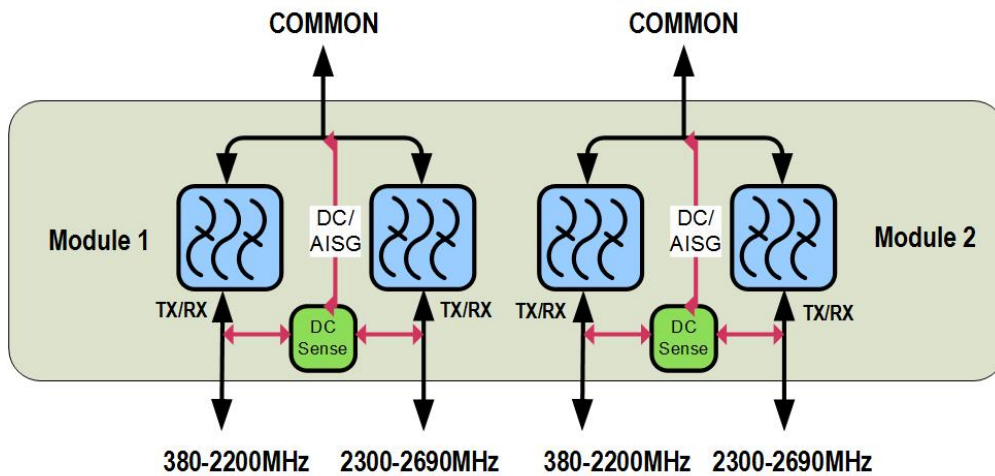
## Electrical Specifications

<b>Sub-module</b>	<b>1   2</b>	<b>1   2</b>
<b>Branch</b>	1	2
<b>Port Designation</b>	PORT 1 380-2200	PORT 2 2300-2690
<b>License Band</b>	APT 700, Band Pass CEL 850, Band Pass CEL 900, Band Pass EDD 800, Band Pass LMR 750, Band Pass LMR 800, Band Pass LMR 900, Band Pass USA 700, Band Pass USA 750, Band Pass DCS 1800, Band Pass TDD 1900, Band Pass IMT 2100, Band Pass	TDD 2600, Band Pass IMT 2600, Band Pass WCS 2300, Band Pass TDD 2300, Band Pass

## Electrical Specifications, Band Pass

	<b>380–2200</b>	<b>2300–2690</b>
<b>Frequency Range, MHz</b>		
<b>Insertion Loss, typical, dB</b>	0.2	0.2
<b>Total Group Delay, maximum, ns</b>	8	13
<b>Return Loss, typical, dB</b>	20	22
<b>Isolation, minimum, dB</b>	50	50
<b>Input Power, RMS, maximum, W</b>	200	200
<b>Input Power, PEP, maximum, W</b>	2000	2000
<b>3rd Order PIM, typical, dBc</b>	-161	-161
<b>3rd Order PIM Test Method</b>	Two +43 dBm carriers	Two +43 dBm carriers

## Block Diagram



## Mechanical Specifications

<b>Wind Loading @ Velocity, frontal</b>	33.0 N @ 150 km/h (7.4 lbf @ 150 km/h)
<b>Wind Loading @ Velocity, lateral</b>	28.0 N @ 150 km/h (6.3 lbf @ 150 km/h)

## Environmental Specifications

<b>Operating Temperature</b>	-40 °C to +65 °C (-40 °F to +149 °F)
<b>Ingress Protection Test Method</b>	IEC 60529:2001, IP67

## Packaging and Weights

<b>Included</b>	Mounting hardware
<b>Volume</b>	2.5 L
<b>Weight, net</b>	4.1 kg   9.039 lb
<b>Weight, without mounting hardware</b>	3.6 kg   7.937 lb

## Regulatory Compliance/Certifications

Agency	Classification
CHINA-ROHS	Above maximum concentration value
ISO 9001:2015	Designed, manufactured and/or distributed under this quality management system
ROHS	Compliant/Exempted
UK-ROHS	Compliant/Exempted

