

# E14F10P32

---



Twin Triplexer 1695-2200/2300-2400/2500-2690, dc smart bypass with 4.3-10 connectors

- Designed for network modernization application, introduction of LTE2300 and LTE2600 on existing site
- New 4.3-10 connectors for improved PIM performance and size reduction
- Twin configuration

## Product Classification

**Product Type** Triplexer

## General Specifications

**Product Family** CBC182126

**Color** Gray

**Common Port Label** COMM

**Modularity** 2-Twin

**Mounting** Pole | Wall

**Mounting Pipe Hardware** Band clamps (2)

**RF Connector Interface** 4.3-10 Female

**RF Connector Interface Body Style** Medium neck

## Dimensions

**Height** 59.5 mm | 2.343 in

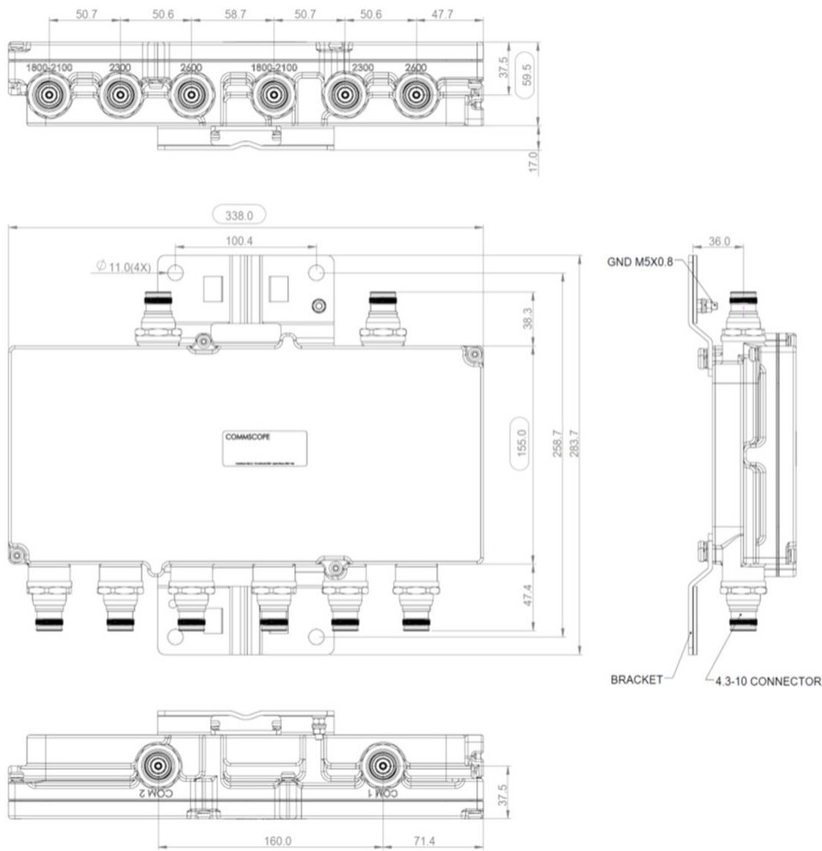
**Width** 155 mm | 6.102 in

**Depth** 338 mm | 13.307 in

**Mounting Pipe Diameter Range** 42.6–122 mm

# E14F10P32

## Outline Drawing



## Electrical Specifications

<b>Impedance</b>	50 ohm
<b>License Band, Band Pass</b>	DCS 1800   IMT 2100   IMT 2600   TDD 2300   TDD 2600   WCS 2300

## Electrical Specifications, dc Power/Alarm

<b>dc/AISG Pass-through Method</b>	Auto sensing
<b>dc/AISG Pass-through Path</b>	Auto sensing circuitry detects dc/AISG signal presence and selects path
<b>dc/AISG Pass-through, combiner</b>	dc Smart Bypass
<b>dc/AISG Pass-through, demultiplexer</b>	dc Smart Bypass
<b>Lightning Surge Current</b>	5 kA
<b>Lightning Surge Current Waveform</b>	8/20 waveform

# E14F10P32

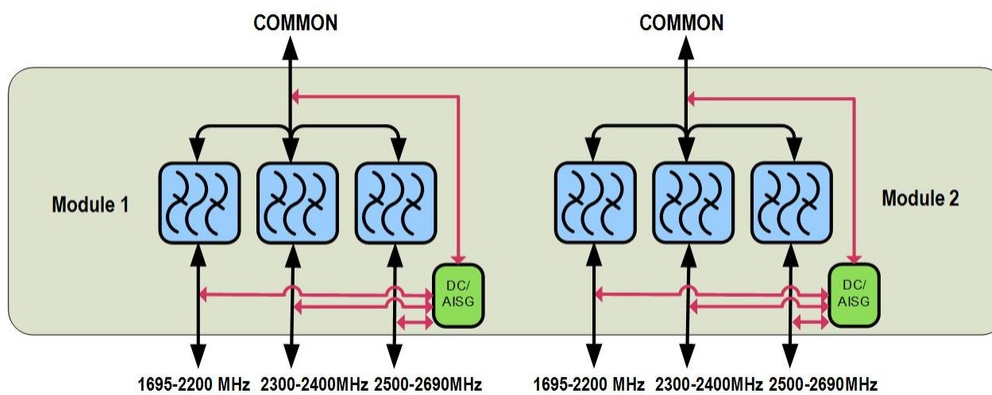
## Electrical Specifications

<b>Sub-module</b>	<b>1   2</b>	<b>1   2</b>	<b>1   2</b>
<b>Branch</b>	1	2	3
<b>Port Designation</b>	1800-2100	2300	2500-2690
<b>License Band</b>	DCS 1800, Band Pass IMT 2100, Band Pass	WCS 2300, Band Pass TDD 2300, Band Pass	IMT 2600, Band Pass TDD 2600, Band Pass

## Electrical Specifications, Band Pass

<b>Frequency Range, MHz</b>	<b>1695–2200</b>	<b>2300–2400</b>	<b>2500–2690</b>
<b>Insertion Loss, typical, dB</b>	0.2	0.25	0.2
<b>Return Loss, typical, dB</b>	23	23	23
<b>Isolation, minimum, dB</b>	50	50	50
<b>Input Power, RMS, maximum, W</b>	300	300	300
<b>Input Power, PEP, maximum, W</b>	3000	3000	3000
<b>3rd Order PIM, typical, dBc</b>	-158	-158	-158
<b>3rd Order PIM Test Method</b>	Two +43 dBm carriers	Two +43 dBm carriers	Two +43 dBm carriers

## Block Diagram



## Environmental Specifications

<b>Operating Temperature</b>	-40 °C to +60 °C (-40 °F to +140 °F)
<b>Relative Humidity</b>	Up to 100%
<b>Corrosion Test Method</b>	IEC 60068-2-11, 30 days
<b>Ingress Protection Test Method</b>	IEC 60529:2001, IP67

## Packaging and Weights

# E14F10P32

---

<b>Included</b>	Mounting hardware
<b>Volume</b>	3.1 L
<b>Weight, without mounting hardware</b>	4 kg   8.818 lb

## Regulatory Compliance/Certifications

**Agency**

ISO 9001:2015

**Classification**

Designed, manufactured and/or distributed under this quality management system

