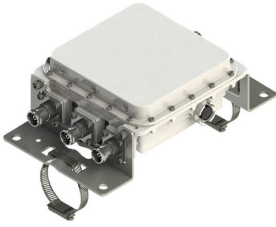


E14F10P44



Triplexer 1710-1880/1920-2170/2300-2690, DC Smart Bypass, 4.3-10 connectors

- Industry leading PIM performance
- New 4.3-10 connectors for improved PIM performance and size reduction
- Designed for network Modernization, introduction of LTE1800 on existing site
- Designed for network Modernization, introduction of LTE2600 on existing site
- Single configuration

OBSOLETE

This product was discontinued on: December 30, 2024

Replaced By:

E12F01P81

2X Triplexer 1710-1880/1920-2170/2300-2690, dc bypass on all ports with 4.3-10 connectors

Product Classification

Product Type Triplexer

General Specifications

Color Gray

Modularity 1-Single

Mounting Pole | Wall

Mounting Pipe Hardware Band clamps (2)

RF Connector Interface 4.3-10 Female

RF Connector Interface Body Style Medium neck

Dimensions

Height 181.5 mm | 7.146 in

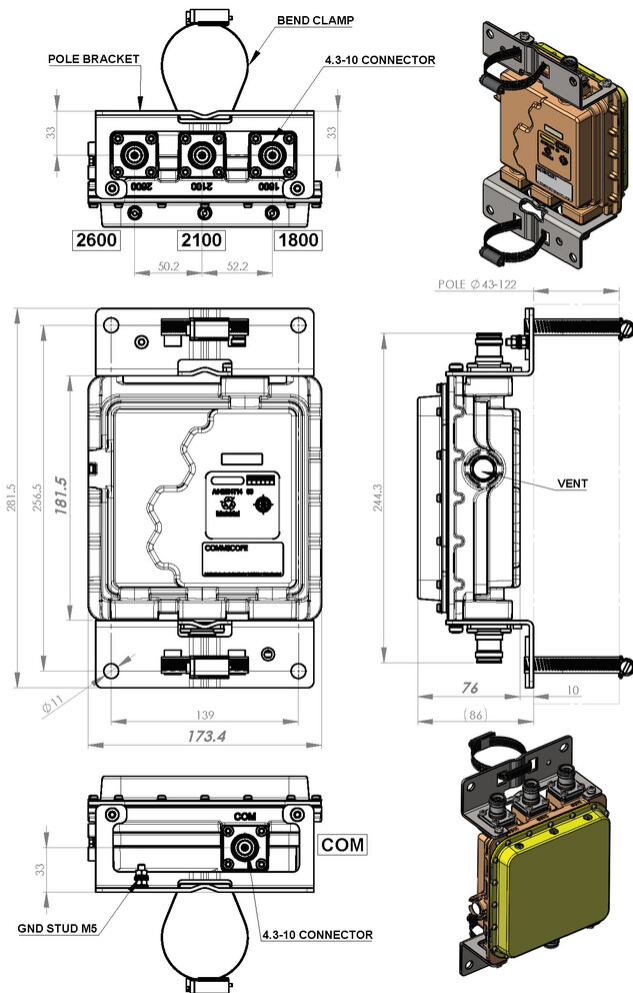
Width 173.5 mm | 6.831 in

Depth 76 mm | 2.992 in

Mounting Pipe Diameter Range 42.6–122 mm

Outline Drawing

E14F10P44



Electrical Specifications

Impedance	50 ohm
License Band, Band Pass	DCS 1800 IMT 2100 IMT 2600

Electrical Specifications, dc Power/Alarm

dc/AISG Pass-through Method	Auto sensing
dc/AISG Pass-through Path	Auto sensing circuitry detects dc/AISG signal presence and selects path
dc/AISG Pass-through, combiner	dc Smart Bypass
dc/AISG Pass-through, demultiplexer	dc Smart Bypass
Lightning Surge Current	5 kA
Lightning Surge Current Waveform	8/20 waveform

E14F10P44

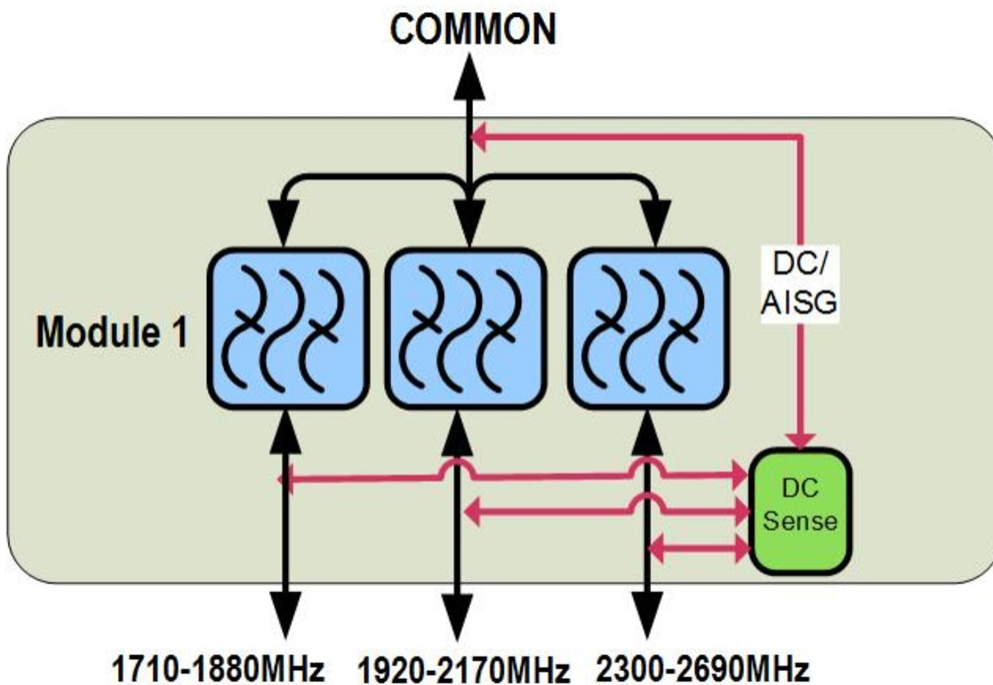
Electrical Specifications

Sub-module	1 2	1 2	1 2
Branch	1	2	3
Port Designation	1800	2100	2600
License Band	DCS 1800, Band Pass IMT 2100, Band Pass IMT 2600, Band Pass		

Electrical Specifications, Band Pass

Frequency Range, MHz	1710–1880	1920–2170	2300–2690
Insertion Loss, typical, dB	0.25	0.25	0.2
Return Loss, minimum, dB	18	18	18
Return Loss, typical, dB	20	20	20
Isolation, minimum, dB	50	50	50
Input Power, RMS, maximum, W	300	300	300
3rd Order PIM, typical, dBc	-160	-160	-160
3rd Order PIM Test Method	Two +43 dBm carriers	Two +43 dBm carriers	Two +43 dBm carriers

Block Diagram



E14F10P44

Environmental Specifications

Operating Temperature	-40 °C to +60 °C (-40 °F to +140 °F)
Relative Humidity	Up to 100%
Corrosion Test Method	IEC 60068-2-11, 30 days
Ingress Protection Test Method	IEC 60529:2001, IP67

Packaging and Weights

Included	Mounting hardware
Volume	2.4 L
Weight, net	3.25 kg 7.165 lb
Weight, without mounting hardware	2.75 kg 6.063 lb

Regulatory Compliance/Certifications

Agency	Classification
ISO 9001:2015	Designed, manufactured and/or distributed under this quality management system