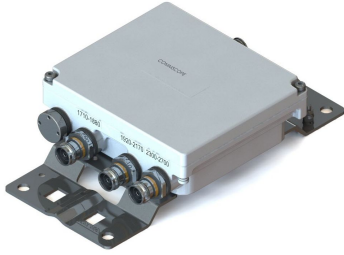


E14F10P54



Ultra Compact Single Triplexer 1710-1880/1920-2170/2300-2700, with 4.3-10 connectors

- Ideal for small cell applications
- Compact form factor with reduced size and weight
- Suitable for space limited applications like Metro Cell, Lamp Pole, Concealment Solution and Macro Site
- New 4.3-10 connectors for improved PIM performance and size reduction
- Single configuration
- dc/AISG blocking on all ports

Product Classification

Product Type Triplexer

General Specifications

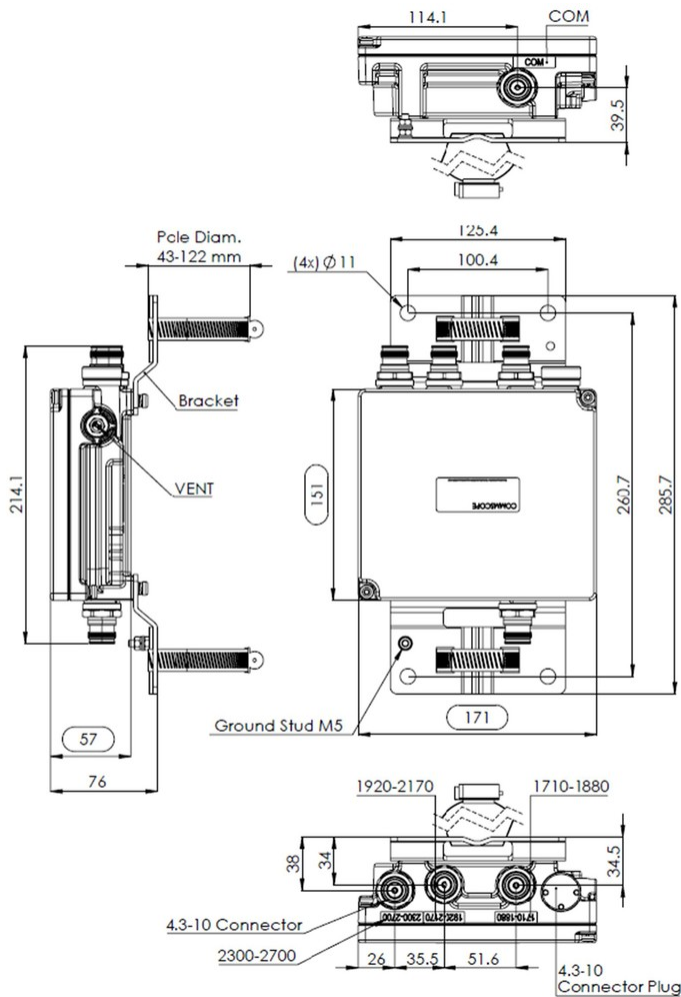
Product Family	CBC182126
Color	Gray
Common Port Label	COMM
Modularity	1-Single
Mounting	Pole Wall
Mounting Pipe Hardware	Band clamps (2)
RF Connector Interface	4.3-10 Female
RF Connector Interface Body Style	Medium neck

Dimensions

Height	57 mm 2.244 in
Width	151 mm 5.945 in
Depth	171 mm 6.732 in
Mounting Pipe Diameter Range	42.6–122 mm

Outline Drawing

E14F10P54



Electrical Specifications

Impedance	50 ohm
License Band, Band Pass	DCS 1800 IMT 2100 IMT 2600 TDD 2300 TDD 2600

Electrical Specifications, dc Power/Alarm

dc/AISG Pass-through Method	No dc/AISG pass-through
dc/AISG Pass-through, combiner	dc/AISG blocking on all ports
dc/AISG Pass-through, demultiplexer	dc/AISG blocking on all ports
Lightning Surge Current	5 kA
Lightning Surge Current Waveform	8/20 waveform

Electrical Specifications

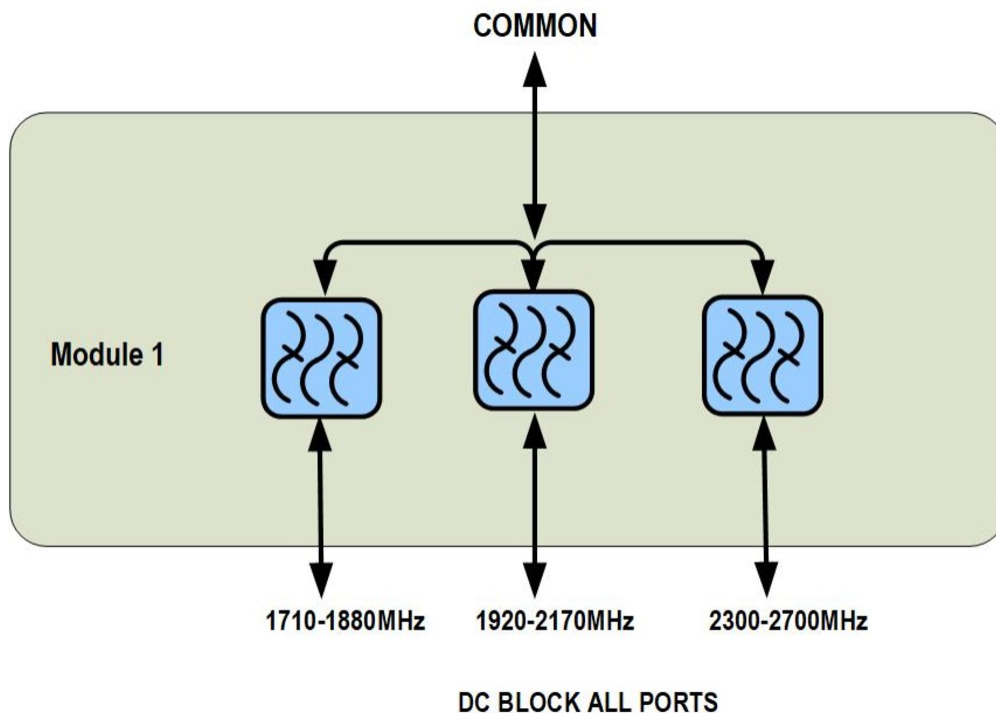
E14F10P54

Sub-module	1 2	1 2	1 2
Branch	1	2	3
Port Designation	1800	2100	2300-2700
License Band	DCS 1800, Band Pass	IMT 2100, Band Pass	TDD 2300, Band Pass TDD 2600, Band Pass IMT 2600, Band Pass

Electrical Specifications, Band Pass

Frequency Range, MHz	1710–1880	1920–2170	2300–2700
Insertion Loss, typical, dB	0.25	0.3	0.2
Return Loss, typical, dB	22	22	22
Isolation, typical, dB	38	38	38
Input Power, RMS, maximum, W	125	125	125
Input Power, PEP, maximum, W	1200	1200	1200
3rd Order PIM, typical, dBc	-157	-157	-157
3rd Order PIM Test Method	Two +43 dBm carriers	Two +43 dBm carriers	Two +43 dBm carriers

Block Diagram



Material Specifications

Finish Painted

E14F10P54

Environmental Specifications

Operating Temperature	-40 °C to +60 °C (-40 °F to +140 °F)
Relative Humidity	Up to 100%
Corrosion Test Method	IEC 60068-2-11, 30 days
Ingress Protection Test Method	IEC 60529:2001, IP67

Packaging and Weights

Included	Mounting hardware
Volume	1.5 L
Weight, net	1.9 kg 4.189 lb
Weight, without mounting hardware	1.4 kg 3.086 lb

Regulatory Compliance/Certifications

Agency	Classification
ISO 9001:2015	Designed, manufactured and/or distributed under this quality management system

