

E14F55P89



Ultra Compact Twin Diplexer 80-2690MHz/3300-5925MHz, DC Low, 4.3-10

- New Combining Solution to introduce 5G, 3.5GHz band
- Industry leading PIM performance
- Suitable for space limited applications like Metro Cell, Lamp Pole, Concealment Solution and Macro Site
- Compact form factor with reduced size and weight
- Ideal for small cell applications
- New 4.3-10 connectors for improved PIM performance and size reduction
- dc/AISG pass-through on low frequency ports
- Twin configuration

Product Classification

Product Type Diplexer

Dimensions

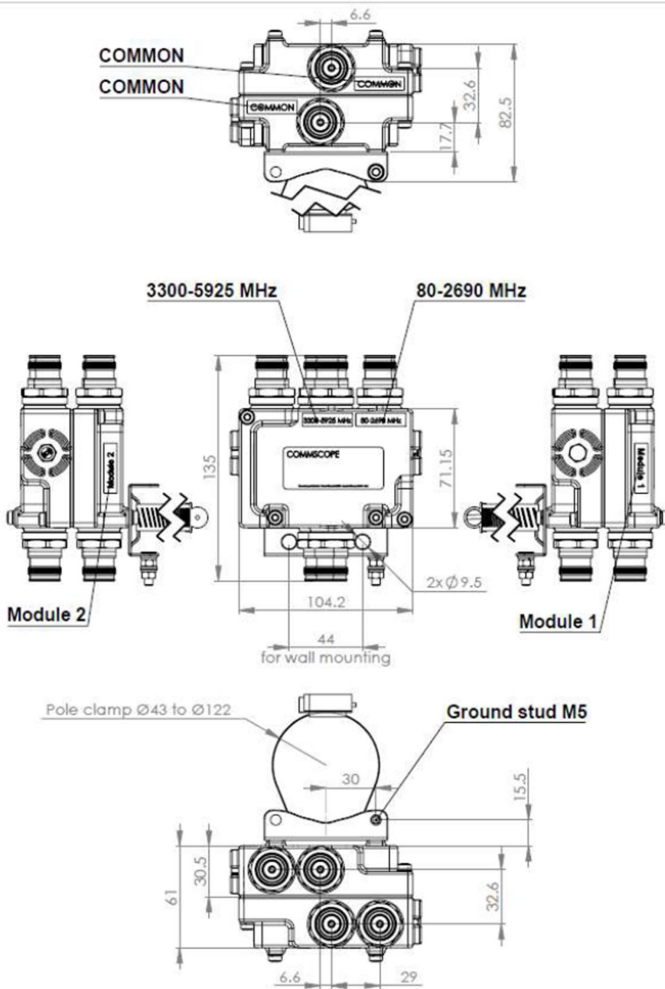
Height 71.15 mm | 2.801 in

Width 104.2 mm | 4.102 in

Depth 61 mm | 2.402 in

Outline Drawing

E14F55P89



Electrical Specifications

License Band, Band Pass

APT 700 | AWS 1700 | CEL 850 | CEL 900 | DCS 1800 | EDD 800 | IMT 2100 | IMT 2600 | LAA 5000 | PCS 1900 | TDD 1900 | TDD 2300 | TDD 2600 | TDD 3500 | WCS 2300

Electrical Specifications

Sub-module	1 2	1 2
Branch	1	2
Port Designation	80-2690	3300-5925
License Band	APT 700, Band Pass EDD 800, Band Pass CEL 850, Band Pass CEL 900, Band Pass DCS 1800, Band Pass IMT 2100, Band Pass TDD 2300, Band Pass	LAA 5000, Band Pass TDD 3500, Band Pass

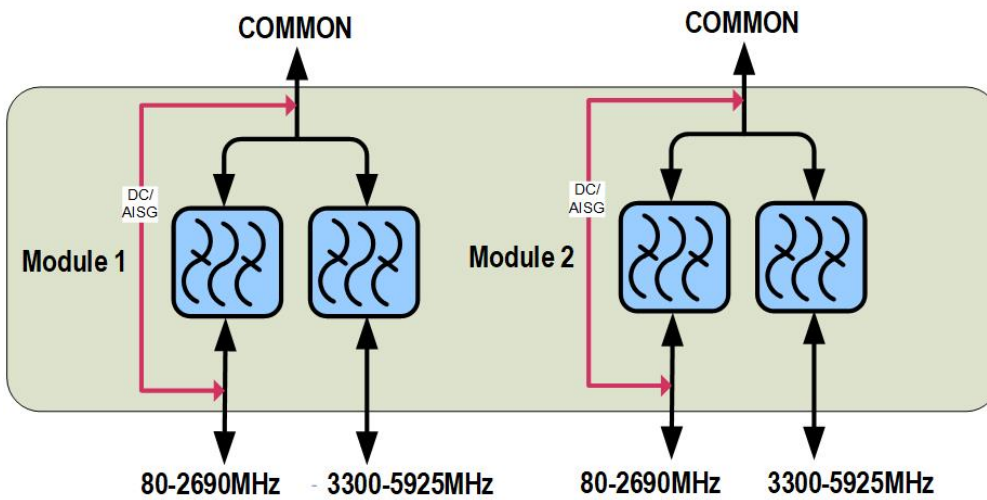
E14F55P89

TDD 2600, Band Pass
 IMT 2600, Band Pass

Electrical Specifications, Band Pass

Frequency Range, MHz	80–2690	3300–5925
Insertion Loss, typical, dB	0.2	0.2
Return Loss, typical, dB	20	20
Isolation, minimum, dB	50	50
Input Power, RMS, maximum, W	100	100
Input Power, PEP, maximum, W	1000	1000
3rd Order PIM, typical, dBc	-157	-157
3rd Order PIM Test Method	2 x 20 W CW tones	2 x 20 W CW tones

Block Diagram



Environmental Specifications

Ingress Protection Test Method IEC 60529:2001, IP67

Packaging and Weights

Weight, with mounting hardware 1.35 kg | 2.976 lb

Weight, without mounting hardware 1.3 kg | 2.866 lb