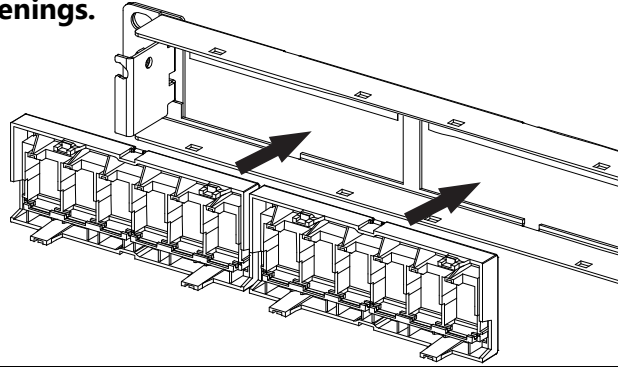


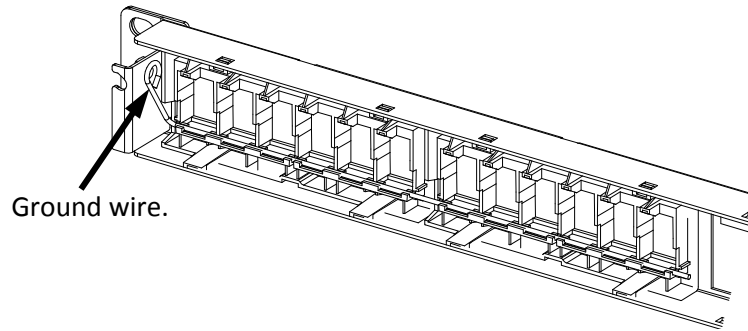
## Shielded DDM for SL Jacks kit with grounding installation instruction.

860640036  
Rev A 10APR2018  
commscope.com

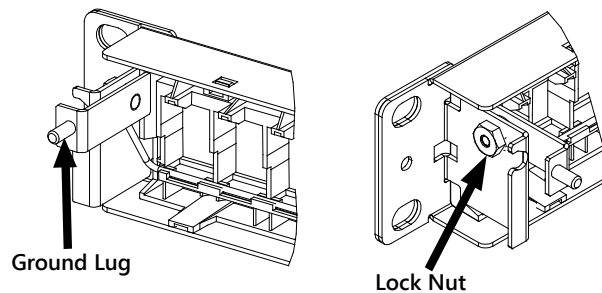
### Step 1: Snap bezels into panel frame openings.



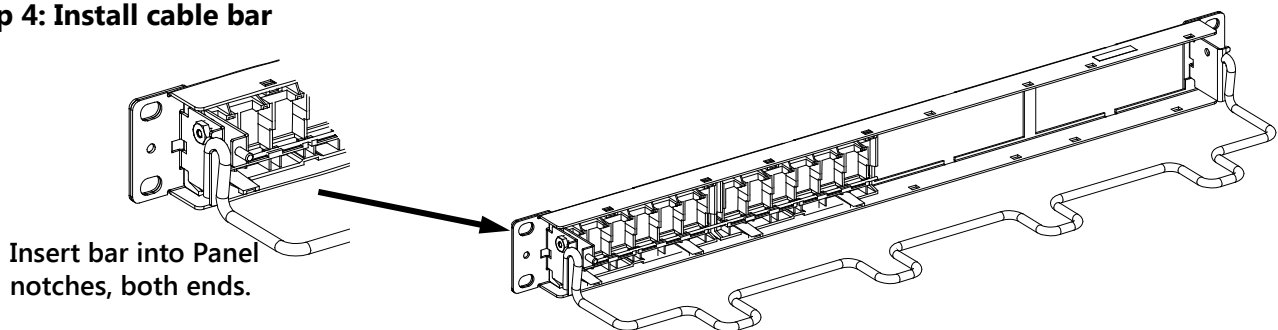
### Step 2: Position ground wire in bezel retaining features and position loop to be secured by ground lug.



### Step 3: Install ground lug to secure ground wire loop and fasten with locking nut.

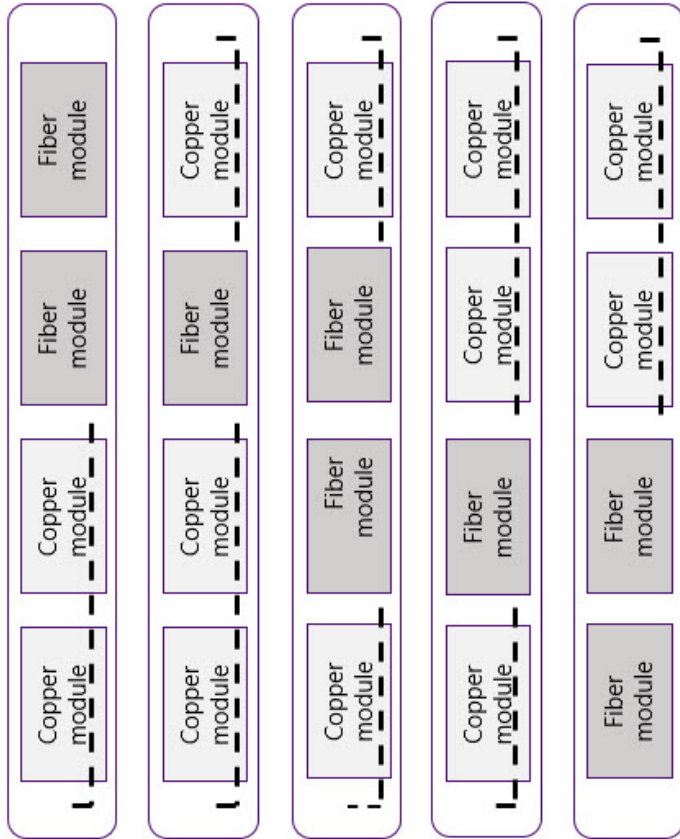


### Step 4: Install cable bar



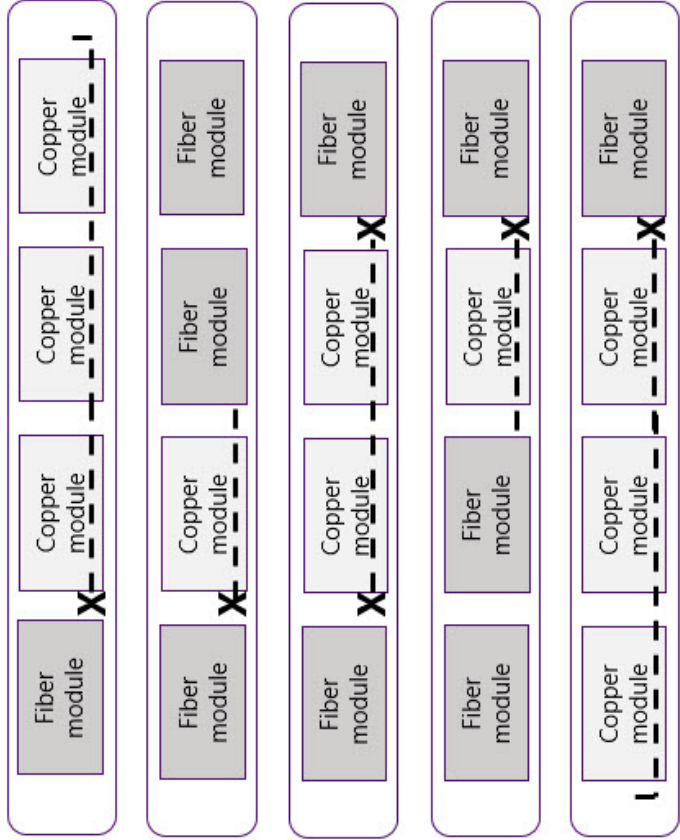
# Shielded configurations

## Possible configurations



· - - - - - = Ground wire

## Impossible configuration



### Trade-marks

All trademarks identified by ® or ™ are registered trademarks or trademarks, respectively, of CommScope, Inc. This document is for planning purposes only and is not intended to modify or supplement any specifications or warranties relating to CommScope products or services. CommScope is committed to the highest standards of business integrity and environmental sustainability, with a number of CommScope's facilities across the globe certified in accordance with international standards, including ISO 9001, TL 9000, and ISO 14001.

Further information regarding CommScope's commitment can be found at [www.commscope.com/About-Us/Corporate-Responsibility-and-Sustainability](http://www.commscope.com/About-Us/Corporate-Responsibility-and-Sustainability).

### Contact information

Visit our website or contact your local CommScope representative for more information.

For technical assistance, customer service, or to report any missing/damaged parts, visit us at: <http://www.commscope.com/SupportCenter>