

CA-MCFNF



MCX Female to Type N Female Adapter

OBSOLETE

This product was discontinued on: May 18, 2019

Product Classification

Product Type Adapter

General Specifications

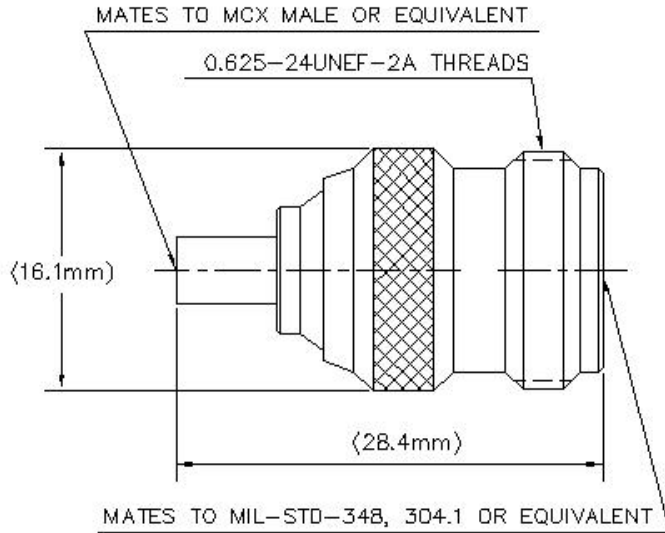
Body Style Straight
Inner Contact Plating Gold
Interface MCX Female
Interface 2 N Female
Mounting Angle Straight
Outer Contact Plating Trimetal
Pressurizable No

Dimensions

Width 16.1 mm | 0.634 in
Length 28.42 mm | 1.119 in
Diameter 16.1 mm | 0.634 in

Outline Drawing

CA-MCFNF



Electrical Specifications

Connector Impedance	50 ohm
dc Test Voltage	750 V
Inner Contact Resistance, maximum	5 mOhm
Insulation Resistance, minimum	1000 MOhm
Operating Frequency Band	0 – 6000 MHz
Outer Contact Resistance, maximum	2.5 mOhm

VSWR/Return Loss

Frequency Band	VSWR	Return Loss (dB)
0–3000 MHz	1.061	30.58
3000–6000 MHz	1.335	16.87

Mechanical Specifications

Interface Durability	500 cycles
Interface Durability Method	IEC 61169-16:9.5
Mechanical Shock Test Method	IEC 60068-2-27

Environmental Specifications

CA-MCFNF

Operating Temperature	-55 °C to +85 °C (-67 °F to +185 °F)
Storage Temperature	-65 °C to +125 °C (-85 °F to +257 °F)
Attenuation, Ambient Temperature	20 °C 68 °F
Average Power, Ambient Temperature	40 °C 104 °F
Average Power, Inner Conductor Temperature	100 °C 212 °F
Climatic Sequence Test Method	IEC 60068-1
Corrosion Test Method	IEC 60068-2-11
Damp Heat Steady State Test Method	IEC 60068-2-3
Thermal Shock Test Method	IEC 60068-2-14
Vibration Test Method	IEC 60068-2-6

Packaging and Weights

Weight, net	22.54 g 0.05 lb
--------------------	-------------------

Regulatory Compliance/Certifications

Agency	Classification
ISO 9001:2015	Designed, manufactured and/or distributed under this quality management system

