

L1PNF

Type N Female for 1/4 in LDF1-50 cable

OBSOLETE

This product was discontinued on: May 18, 2019

Replaced By:

L1TNF-PL

Type N Female Positive Lock for 1/4 in LDF1-50 cable

Product Classification

| | |
|----------------------|----------------------------------|
| Product Type | Wireless and radiating connector |
| Product Brand | HELIAX® |

General Specifications

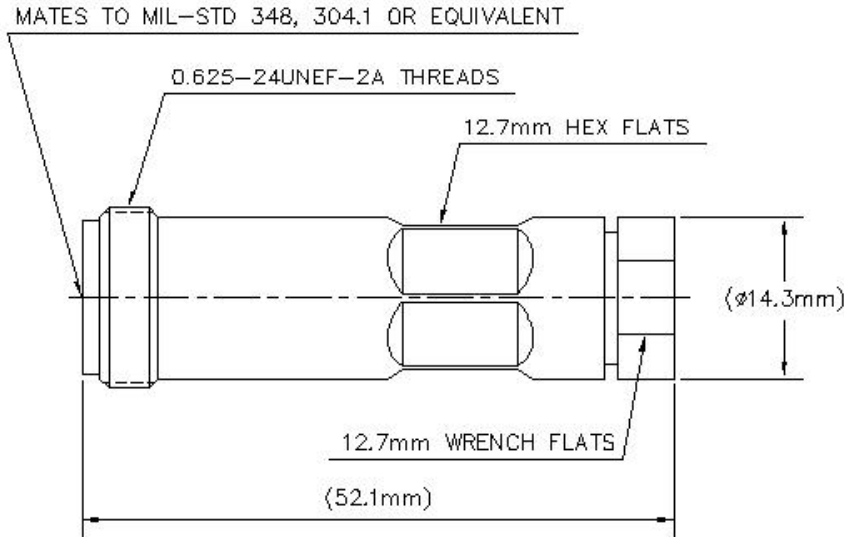
| | |
|--|------------|
| Body Style | Straight |
| Cable Family | LDF1-50 |
| Inner Contact Attachment Method | Solder |
| Inner Contact Plating | Gold |
| Interface | N Female |
| Mounting Angle | Straight |
| Outer Contact Attachment Method | Self-flare |
| Outer Contact Plating | Silver |
| Pressurizable | No |

Dimensions

| | |
|---------------------|--------------------|
| Length | 52.07 mm 2.05 in |
| Diameter | 21.84 mm 0.86 in |
| Nominal Size | 1/4 in |

Outline Drawing

L1PNF



Electrical Specifications

| | |
|---|----------------------|
| 3rd Order IMD at Frequency | -112 dBm @ 910 MHz |
| 3rd Order IMD Test Method | Two +43 dBm carriers |
| Average Power at Frequency | 0.6 kW @ 900 MHz |
| Cable Impedance | 50 ohm |
| Connector Impedance | 50 ohm |
| dc Test Voltage | 2200 V |
| Inner Contact Resistance, maximum | 1 mOhm |
| Insulation Resistance, minimum | 5000 MOhm |
| Operating Frequency Band | 0 – 12000 MHz |
| Outer Contact Resistance, maximum | 0.25 mOhm |
| Peak Power, maximum | 10 kW |
| RF Operating Voltage, maximum (vrms) | 707 V |
| Shielding Effectiveness | -110 dB |

VSWR/Return Loss

| Frequency Band | VSWR | Return Loss (dB) |
|-----------------------|-------------|-------------------------|
| 45-4100 MHz | 1.119 | 25.01 |
| 4100-6200 MHz | 1.152 | 23.02 |

L1PNF

6200–12000 MHz

1.33

17

Mechanical Specifications

| | |
|--|---------------------|
| Connector Retention Tensile Force | 449.27 N 101 lbf |
| Coupling Nut Proof Torque Method | IEC 61169-16:9.3.11 |
| Coupling Nut Retention Force | 445 N 100.04 lbf |
| Coupling Nut Retention Force Method | IEC 61169-16:9.3.11 |
| Insertion Force | 124.55 N 28 lbf |
| Insertion Force Method | IEC 61169-16:9.3.5 |
| Interface Durability | 500 cycles |
| Interface Durability Method | IEC 61169-4:17 |
| Mechanical Shock Test Method | IEC 60068-2-27 |

Environmental Specifications

| | |
|---|---------------------------------------|
| Operating Temperature | -55 °C to +85 °C (-67 °F to +185 °F) |
| Storage Temperature | -65 °C to +125 °C (-85 °F to +257 °F) |
| Attenuation, Ambient Temperature | 20 °C 68 °F |
| Average Power, Ambient Temperature | 40 °C 104 °F |
| Average Power, Inner Conductor Temperature | 100 °C 212 °F |
| Corrosion Test Method | IEC 60068-2-11 |
| Immersion Depth | 1 m |
| Immersion Test Mating | Mated |
| Immersion Test Method | IEC 60529:2001, IP68 |
| Moisture Resistance Test Method | IEC 60068-2-3 |
| Thermal Shock Test Method | IEC 60068-2-14 |
| Vibration Test Method | IEC 60068-2-6 |

Packaging and Weights

| | |
|--------------------|-----------------|
| Weight, net | 80 g 0.176 lb |
|--------------------|-----------------|

* Footnotes

| | |
|------------------------|---|
| Immersion Depth | Immersion at specified depth for 24 hours |
|------------------------|---|