

L4PDF-BH

7-16 DIN Female Bulkhead for 1/2 in LDF4-50A cable

OBSOLETE

This product was discontinued on: December 31, 2008

Replaced By:

L4PDF-BHC

7-16 DIN Female Bulkhead for 1/2 in LDF4-50A cable

Product Classification

Product Type	Wireless and radiating connector
Product Brand	HELIAX®

General Specifications

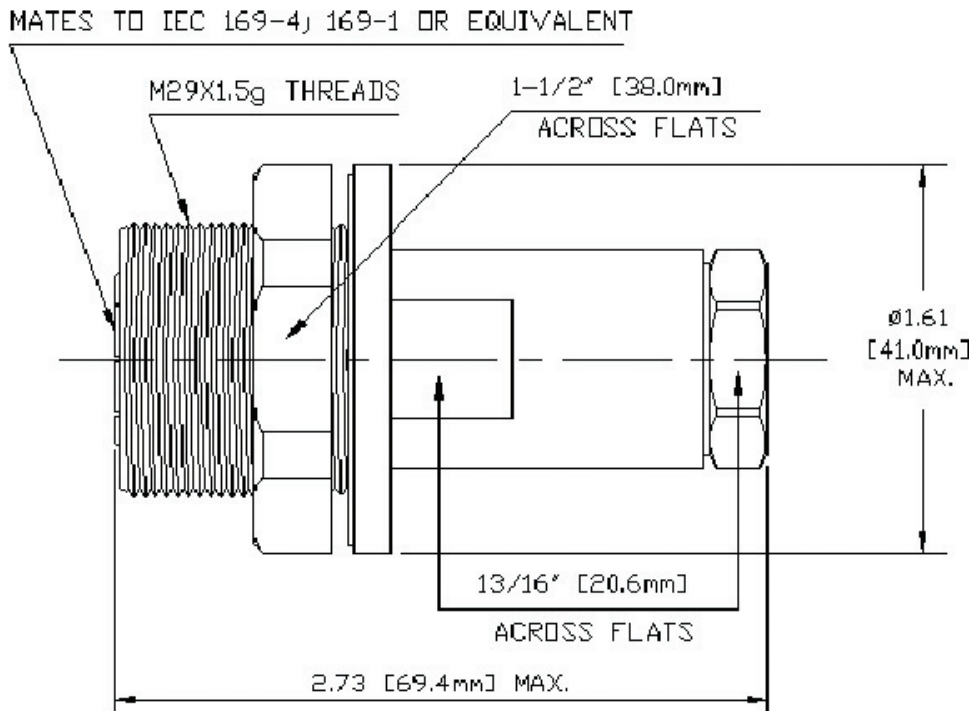
Body Style	Bulkhead
Cable Family	LDF4-50A
Inner Contact Attachment Method	Solder
Inner Contact Plating	Silver
Interface	7-16 DIN Female
Mounting Angle	Straight
Outer Contact Attachment Method	Self-flare
Outer Contact Plating	Silver
Pressurizable	No

Dimensions

Length	68.58 mm 2.7 in
Diameter	40.64 mm 1.6 in
Nominal Size	1/2 in

Outline Drawing

L4PDF-BH



Electrical Specifications

3rd Order IMD at Frequency	-120 dBm @ 910 MHz
3rd Order IMD Test Method	Two +43 dBm carriers
Insertion Loss Coefficient, typical	0.05
Average Power at Frequency	1.1 kW @ 900 MHz
Cable Impedance	50 ohm
Connector Impedance	50 ohm
dc Test Voltage	4000 V
Inner Contact Resistance, maximum	0.8 mOhm
Insulation Resistance, minimum	5000 MOhm
Operating Frequency Band	0 – 8800 MHz
Outer Contact Resistance, maximum	1.5 mOhm
Peak Power, maximum	40 kW
RF Operating Voltage, maximum (vrms)	1415 V
Shielding Effectiveness	-110 dB

L4PDF-BH

VSWR/Return Loss

Frequency Band	VSWR	Return Loss (dB)
0–2200 MHz	1.052	31.92

Mechanical Specifications

Attachment Durability	25 cycles
Connector Retention Tensile Force	889.64 N 200 lbf
Connector Retention Torque	5.42 N-m 47.998 in lb
Interface Durability	50 cycles
Interface Durability Method	IEC 61169-4:9.5

Environmental Specifications

Operating Temperature	-40 °C to +85 °C (-40 °F to +185 °F)
Storage Temperature	-70 °C to +100 °C (-94 °F to +212 °F)
Attenuation, Ambient Temperature	20 °C 68 °F
Average Power, Ambient Temperature	40 °C 104 °F

Packaging and Weights

Weight, net	203 g 0.448 lb
--------------------	------------------

* Footnotes

Insertion Loss Coefficient, typical $0.05\sqrt{\text{freq}}$ (GHz) (not applicable for elliptical waveguide)