

# L4PNR-H

---

Type N Male Right Angle 1/2 in LDF4-50A cable

**OBSOLETE**

This product was discontinued on: February 10, 2016

## Product Classification

<b>Product Type</b>	Wireless and radiating connector
<b>Product Brand</b>	HELIAX®

## General Specifications

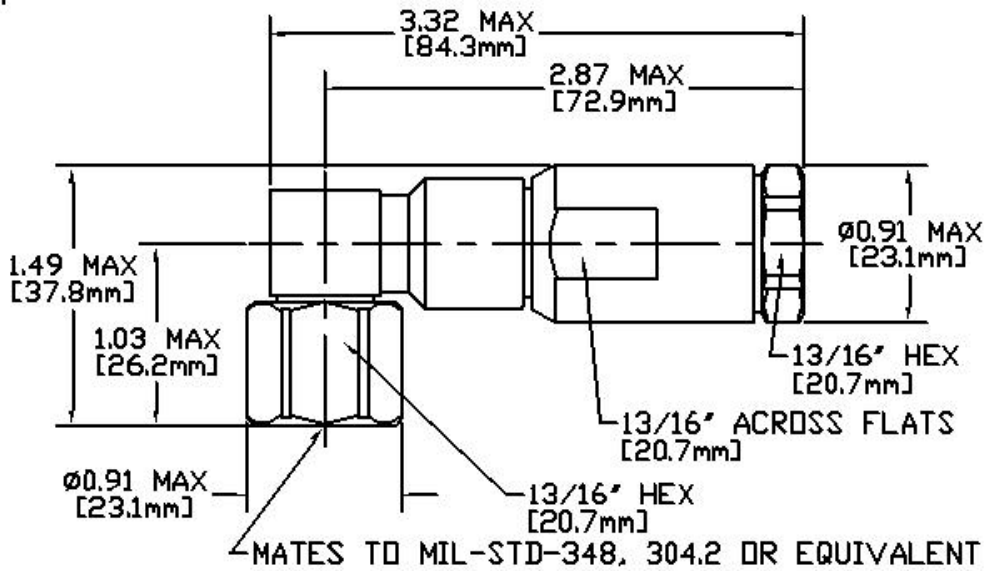
<b>Body Style</b>	Right angle
<b>Cable Family</b>	LDF4-50A
<b>Inner Contact Attachment Method</b>	Solder
<b>Inner Contact Plating</b>	Gold
<b>Interface</b>	N Male
<b>Mounting Angle</b>	Right angle
<b>Outer Contact Attachment Method</b>	Self-flare
<b>Outer Contact Plating</b>	Silver
<b>Pressurizable</b>	No

## Dimensions

<b>Width</b>	25.4 mm   1 in
<b>Length</b>	81.28 mm   3.2 in
<b>Right Angle Length</b>	38.1 mm   1.5 in
<b>Diameter</b>	25.4 mm   1 in
<b>Nominal Size</b>	1/2 in

## Outline Drawing

# L4PNR-H



## Electrical Specifications

<b>Insertion Loss Coefficient, typical</b>	0.05
<b>Cable Impedance</b>	50 ohm
<b>Connector Impedance</b>	50 ohm
<b>dc Test Voltage</b>	2000 V
<b>Inner Contact Resistance, maximum</b>	2 mOhm
<b>Operating Frequency Band</b>	0 – 2000 MHz
<b>Outer Contact Resistance, maximum</b>	0.3 mOhm
<b>RF Operating Voltage, maximum (vrms)</b>	707 V

## VSWR/Return Loss

Frequency Band	VSWR	Return Loss (dB)
45–400 MHz	1.173	21.98
400–800 MHz	1.29	18
800–1200 MHz	1.33	17
1200–2000 MHz	1.38	16

## Mechanical Specifications

<b>Attachment Durability</b>	25 cycles
<b>Connector Retention Tensile Force</b>	889.64 N   200 lbf

# L4PNR-H

---

<b>Connector Retention Torque</b>	5.42 N-m   47.998 in lb
<b>Coupling Nut Proof Torque</b>	4.52 N-m   39.997 in lb
<b>Coupling Nut Retention Force</b>	444.82 N   100 lbf
<b>Coupling Nut Retention Force Method</b>	MIL-C-39012C-3.25, 4.6.22
<b>Interface Durability</b>	500 cycles
<b>Interface Durability Method</b>	IEC 61169-16:9.5

## Environmental Specifications

<b>Attenuation, Ambient Temperature</b>	20 °C   68 °F
<b>Average Power, Ambient Temperature</b>	40 °C   104 °F

## Packaging and Weights

<b>Weight, net</b>	111.6 g   0.246 lb
--------------------	--------------------

## \* Footnotes

**Insertion Loss Coefficient, typical**  $0.05\sqrt{\text{freq}}$  (GHz) (not applicable for elliptical waveguide)