

R4PHF



Type 4.3-10 Female Low PIM Positive Stop™ for 1/2 in RCT RADIAX® Radiating cable

OBSOLETE

This product was discontinued on: January 30, 2024

Product Classification

Product Type	Wireless and radiating connector
Product Brand	RADIAX®

General Specifications

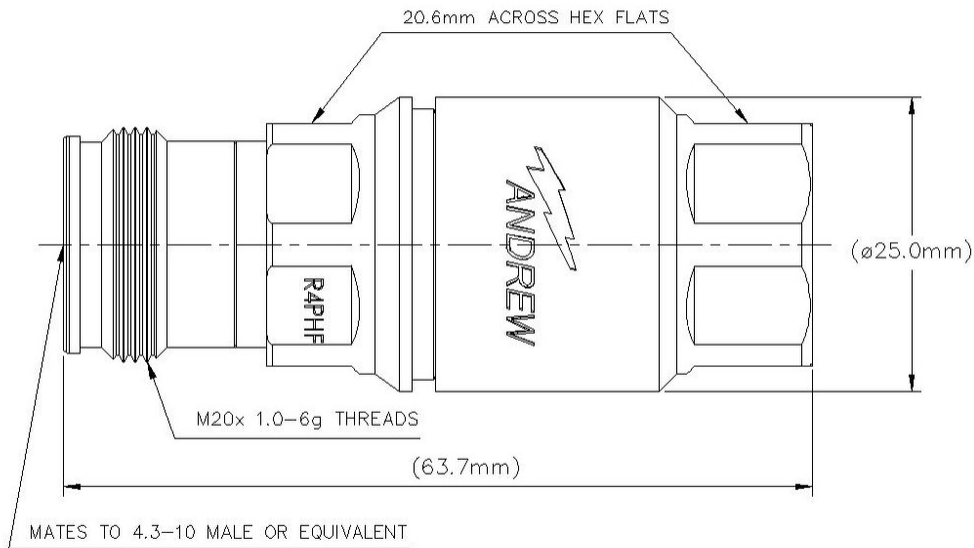
Body Style	Straight
Cable Family	RCT4
Inner Contact Attachment Method	Captivated
Inner Contact Plating	Silver
Interface	4.3-10 Female
Mounting Angle	Straight
Outer Contact Attachment Method	Clamp
Outer Contact Plating	Trimetal

Dimensions

Length	63.75 mm 2.51 in
Diameter	24.89 mm 0.98 in
Nominal Size	1/2 in

Outline Drawing

R4PHF



Electrical Specifications

3rd Order IMD at Frequency	-107 dBm @ 910 MHz
3rd Order IMD Test Method	Two +43 dBm carriers
Insertion Loss Coefficient, typical	0.05
Average Power at Frequency	0.5 kW @ 2,000 MHz
Cable Impedance	50 ohm
Connector Impedance	50 ohm
dc Test Voltage	2500 V
Inner Contact Resistance, maximum	1 mOhm
Insulation Resistance, minimum	5000 MOhm
Operating Frequency Band	0 – 2700 MHz
Outer Contact Resistance, maximum	1 mOhm
Peak Power, maximum	6.4 kW
RF Operating Voltage, maximum (vrms)	707 V

VSWR/Return Loss

Frequency Band	VSWR	Return Loss (dB)
----------------	------	------------------

R4PHF

50–1000 MHz	1.02	40.09
1010–2200 MHz	1.03	36.61
2200–2700 MHz	1.04	34.16

Mechanical Specifications

Attachment Durability	25 cycles
Connector Retention Tensile Force	449.27 N 101 lbf
Connector Retention Torque	1.4 N-m 12.391 in lb
Interface Durability	100 cycles
Mechanical Shock Test Method	IEC 60068-2-27

Environmental Specifications

Operating Temperature	-55 °C to +85 °C (-67 °F to +185 °F)
Storage Temperature	-55 °C to +85 °C (-67 °F to +185 °F)
Attenuation, Ambient Temperature	20 °C 68 °F
Average Power, Ambient Temperature	40 °C 104 °F
Corrosion Test Method	IEC 60068-2-11
Moisture Resistance Test Method	IEC 60068-2-3
Thermal Shock Test Method	IEC 60068-2-14
Vibration Test Method	IEC 60068-2-6

Packaging and Weights

Weight, net	115.15 g 0.254 lb
--------------------	---------------------

Regulatory Compliance/Certifications

Agency	Classification
ISO 9001:2015	Designed, manufactured and/or distributed under this quality management system



* Footnotes

Insertion Loss Coefficient, typical $0.05\sqrt{\text{freq (GHz)}}$ (not applicable for elliptical waveguide)