

# TA-DFDF

---



7-16 DIN Female to 7-16 DIN Female Low-PIM Adapter

## Product Classification

**Product Type** Adapter

## General Specifications

**Body Style** Straight

**Inner Contact Plating** Silver

**Interface** 7-16 DIN Female

**Interface 2** 7-16 DIN Female

**Mounting Angle** Straight

**Outer Contact Plating** Trimetal

**Pressurizable** No

## Dimensions

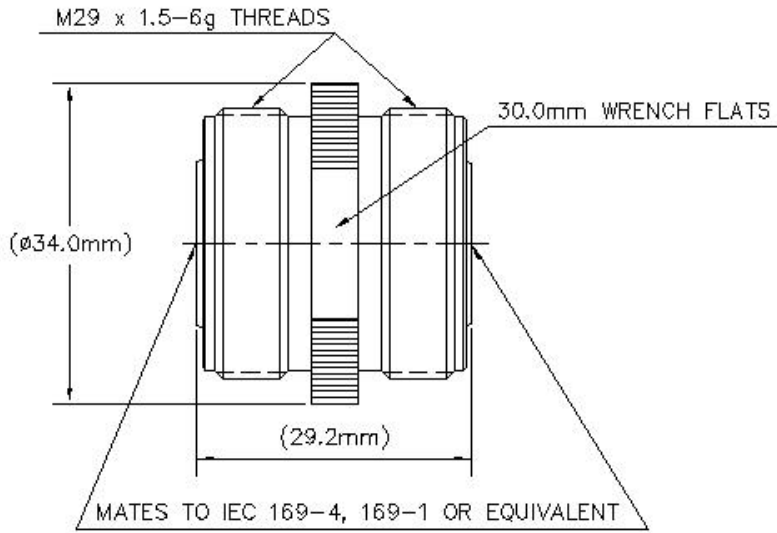
**Width** 30 mm | 1.181 in

**Length** 29.2 mm | 1.15 in

**Diameter** 34 mm | 1.339 in

## Outline Drawing

# TA-DFDF



## Electrical Specifications

<b>3rd Order IMD at Frequency</b>	-163 dBc @ 1800 MHz
<b>3rd Order IMD Test Method</b>	Two +43 dBm carriers
<b>Average Power at Frequency</b>	1,300.0 W @ 900 MHz
<b>Connector Impedance</b>	50 ohm
<b>dc Test Voltage</b>	4000 V
<b>Inner Contact Resistance, maximum</b>	0.4 mOhm
<b>Insulation Resistance, minimum</b>	10000 MOhm
<b>Operating Frequency Band</b>	0 – 7500 MHz
<b>Outer Contact Resistance, maximum</b>	1.5 mOhm
<b>Peak Power, maximum</b>	28.8 kW
<b>RF Operating Voltage, maximum (vrms)</b>	1200 V

## VSWR/Return Loss

Frequency Band	VSWR	Return Loss (dB)
0-3000 MHz	1.032	36.06
3000-6000 MHz	1.083	27.99

## Mechanical Specifications

<b>Insertion Force</b>	200 N   44.962 lbf
------------------------	--------------------

# TA-DFDF

---

<b>Insertion Force Method</b>	IEC 61169-4:15.2.4
<b>Interface Durability</b>	500 cycles
<b>Interface Durability Method</b>	IEC 61169-4:9.5
<b>Mechanical Shock Test Method</b>	IEC 60068-2-27

## Environmental Specifications

<b>Operating Temperature</b>	-55 °C to +85 °C (-67 °F to +185 °F)
<b>Storage Temperature</b>	-65 °C to +125 °C (-85 °F to +257 °F)
<b>Attenuation, Ambient Temperature</b>	20 °C   68 °F
<b>Average Power, Ambient Temperature</b>	40 °C   104 °F
<b>Average Power, Inner Conductor Temperature</b>	100 °C   212 °F
<b>Climatic Sequence Test Method</b>	IEC 60068-1
<b>Corrosion Test Method</b>	IEC 60068-2-11
<b>Damp Heat Steady State Test Method</b>	IEC 60068-2-3
<b>Immersion Depth</b>	1 m
<b>Immersion Test Mating</b>	Mated
<b>Immersion Test Method</b>	IEC 60529:2001, IP68
<b>Thermal Shock Test Method</b>	IEC 60068-2-14
<b>Vibration Test Method</b>	IEC 60068-2-6

## Packaging and Weights

<b>Weight, net</b>	88.65 g   0.195 lb
--------------------	--------------------

## Regulatory Compliance/Certifications

<b>Agency</b>	<b>Classification</b>
CHINA-ROHS	Below maximum concentration value
ISO 9001:2015	Designed, manufactured and/or distributed under this quality management system
REACH-SVHC	Compliant as per SVHC revision on <a href="http://www.commscope.com/ProductCompliance">www.commscope.com/ProductCompliance</a>
ROHS	Compliant
UK-ROHS	Compliant



## \* Footnotes

# TA-DFDF

---

**Immersion Depth**

Immersion at specified depth for 24 hours