

E15S09P55



Tower Mounted Amplifier, Dual UMTS 2100 with AISG

- Industry leading PIM performance

Product Classification

Product Type 1-BTS:1-ANT (Uniplex) | Tower mounted amplifier

General Specifications

Color Gray

Modularity 2-Twin

Mounting Pole | Wall

Mounting Pipe Hardware Band clamps (2)

RF Connector Interface 7-16 DIN Female

RF Connector Interface Body Style Long neck

Dimensions

Height 191 mm | 7.52 in

Width 170 mm | 6.693 in

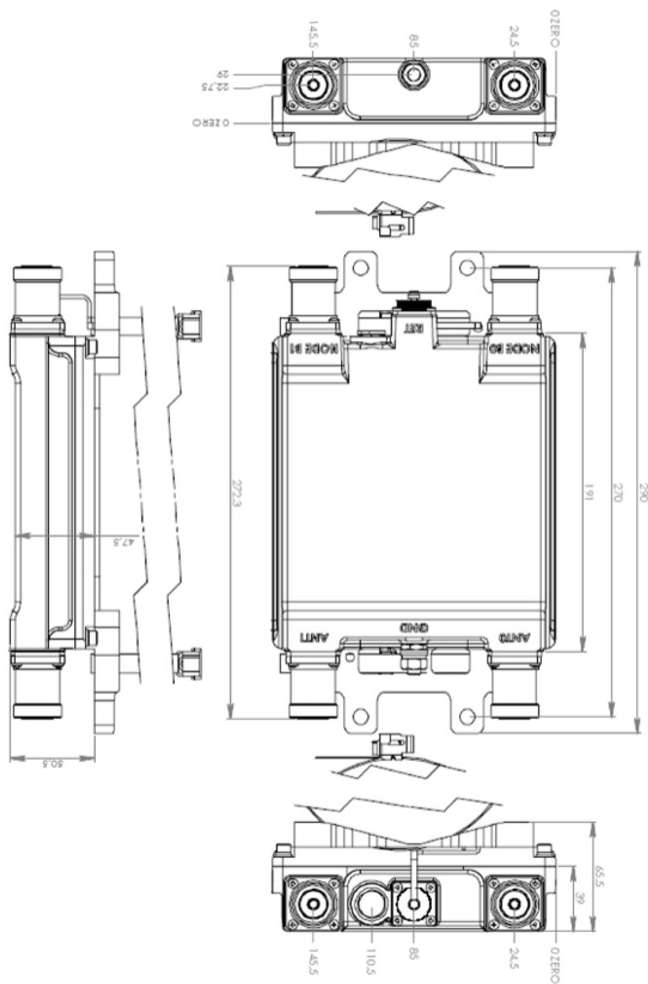
Depth 50.5 mm | 1.988 in

Ground Screw Diameter 8 mm | 0.315 in

Mounting Pipe Diameter Range 40–160 mm

E15S09P55

Outline Drawing



Electrical Specifications

License Band, LNA IMT 2100

Electrical Specifications, dc Power/Alarm

dc Switching/Redundancy	Yes
Lightning Surge Current	10 kA
Lightning Surge Current Waveform	8/20 waveform
Operating Current at Voltage	100 mA @ 12 V
Operating Current Tolerance	±15 mA
Voltage	7–30 Vdc

E15S09P55

Alarm Current, CWA Mode 185 mA \pm 10 mA

Electrical Specifications, AISG

AISG Connector 8-pin DIN Female

AISG Connector Standard IEC 60130-9

Protocol AISG 2.0

Voltage, AISG Mode 10–30 Vdc

Electrical Specifications

Sub-module 1 | 2

Branch 1

Port Designation ANT

License Band IMT 2100, LNA

Return Loss - Bypass Mode, typical, dB 19

TX Band Rejection, minimum, dB 80

Electrical Specifications Rx (Uplink)

Frequency Range, MHz 1920–1980

Bandwidth, MHz 60

Gain, nominal, dB 12

Gain Tolerance, dB \pm 1

Noise Figure, maximum, dB 1.4

Noise Figure, typical, dB 1.2

Group Delay Variation, maximum, ns 12

Group Delay Variation Bandwidth, MHz 5

Total Group Delay, maximum, ns 60

Return Loss, minimum, dB 18

Insertion Loss - Bypass Mode, typical, dB 2

Electrical Specifications Tx (Downlink)

Frequency Range, MHz 2110–2170

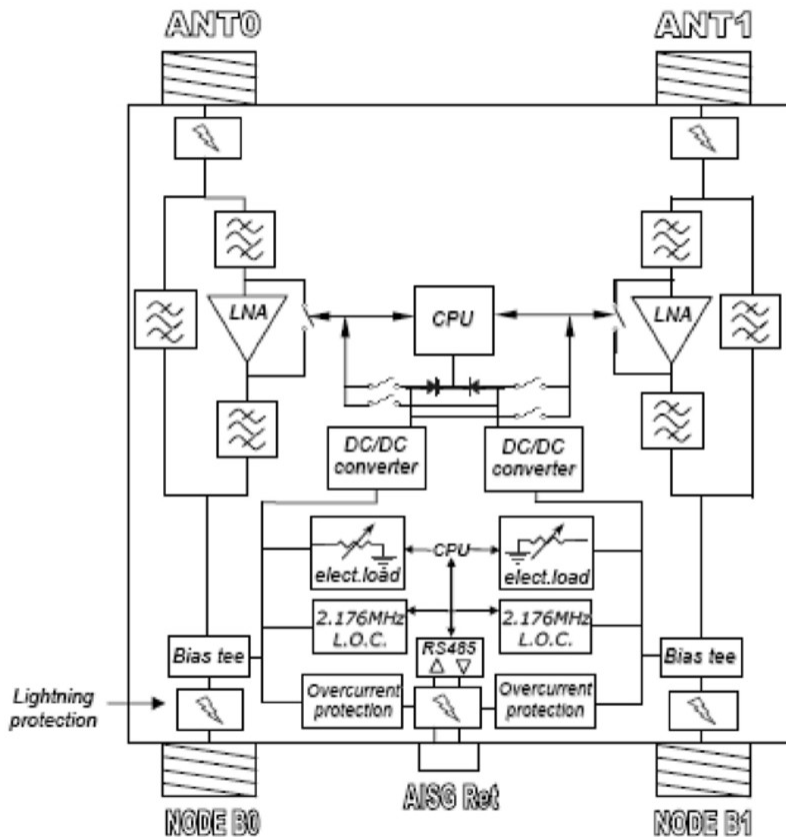
Bandwidth, MHz 60

E15S09P55

Insertion Loss, maximum, dB	0.4
Insertion Loss Ripple, maximum, dB	0.1
Group Delay Variation, maximum, ns	3
Group Delay Variation Bandwidth, MHz	5
Total Group Delay, maximum, ns	18
Return Loss, minimum, dB	18
Input Power, RMS, maximum, W	160
Input Power, PEP, maximum, W	2500
3rd Order PIM, typical, dBc	-165
3rd Order PIM Test Method	Two +43 dBm carriers

E15S09P55

Block Diagram



Material Specifications

Finish Painted

Mechanical Specifications

Wind Speed, maximum 198 km/h | 123.031 mph

Environmental Specifications

Operating Temperature -40 °C to +65 °C (-40 °F to +149 °F)

Relative Humidity Up to 100%

Corrosion Test Method IEC 60068-2-11, 30 days

Ingress Protection Test Method IEC 60529:2001, IP67

E15S09P55

Packaging and Weights

Included	Mounting hardware
Volume	1.6 L
Weight, net	3.3 kg 7.275 lb

* Footnotes

License Band, LNA	License Bands that have RxUplink amplification
--------------------------	--