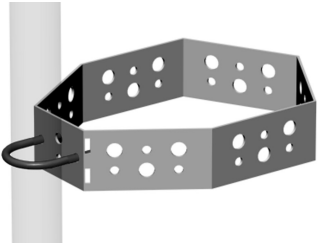


CS-BL-A



Cluster Support Bracket, large version, 6 in to 8 in OD round member attachment

Product Classification

Product Type Cluster Support Bracket

General Specifications

Cable Runs, quantity 18

Hole, quantity 18

Mounting Cluster support

Dimensions

Height 127 mm | 5 in

Width 381 mm | 15 in

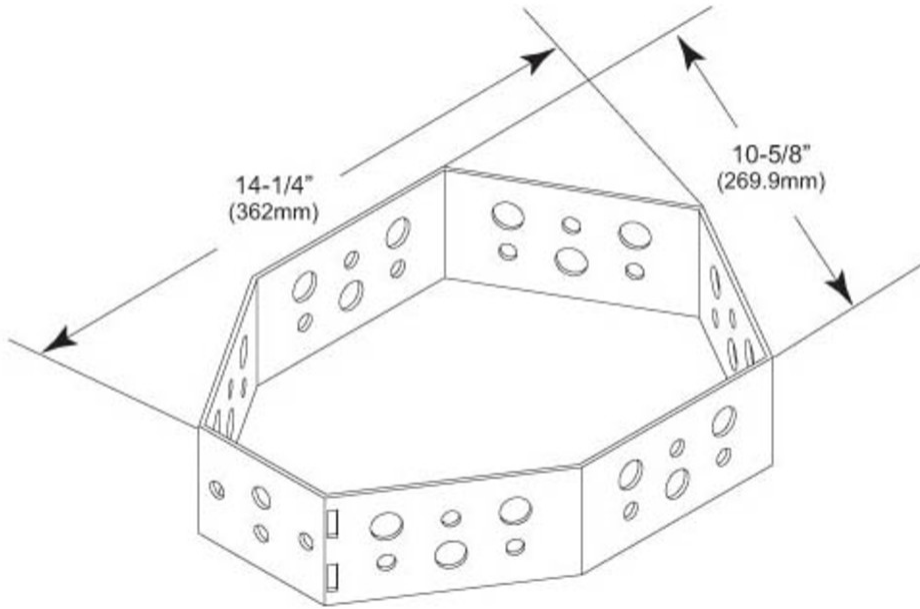
Length 279.4 mm | 11 in

Pipe Outer Diameter 60.96 mm | 2.4 in

Hole Size 3/4 in | 7/16 in

CS-BL-A

Outline Drawing



Material Specifications

Material Type Hot dip galvanized steel

Packaging and Weights

Included Brackets
Packaging quantity 1
Weight, net 2.3 kg | 5.071 lb

Regulatory Compliance/Certifications

| Agency | Classification |
|---------------|--|
| CHINA-ROHS | Below maximum concentration value |
| ISO 9001:2015 | Designed, manufactured and/or distributed under this quality management system |
| ROHS | Compliant |
| UK-ROHS | Compliant |

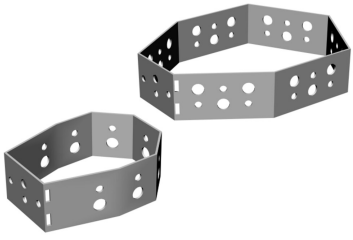


CS-BL-A

Included Products

- CS-BL – Cluster Support Bracket, large version, angle member attachment

CS-BL



Cluster Support Bracket, large version, angle member attachment

Product Classification

Product Type Cluster Support Bracket

General Specifications

Cable Runs, quantity 18

Hole, quantity 18

Mounting Cluster support

Dimensions

Height 127 mm | 5 in

Width 381 mm | 15 in

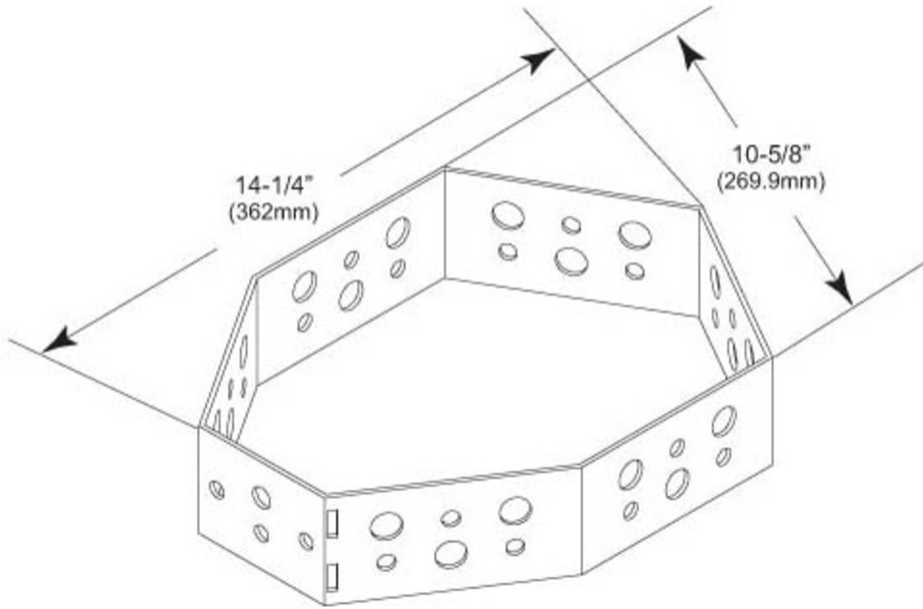
Length 279.4 mm | 11 in

Pipe Outer Diameter 60.96 mm | 2.4 in

Hole Size 3/4 in | 7/16 in

CS-BL

Outline Drawing



Material Specifications

Material Type Hot dip galvanized steel

Packaging and Weights

Included Brackets
Packaging quantity 1
Weight, net 1.8 kg | 3.968 lb

Regulatory Compliance/Certifications

| Agency | Classification |
|---------------|--|
| CHINA-ROHS | Above maximum concentration value |
| ISO 9001:2015 | Designed, manufactured and/or distributed under this quality management system |
| ROHS | Compliant/Exempted |
| UK-ROHS | Compliant/Exempted |



