

# IC-1010-B

---



Ice Canopy, 10 ft x 10 ft, four 13 ft 4 in burial pipes

## Product Classification

**Product Type** Ice canopies and shields

## General Specifications

**Pipe, quantity** 4

## Dimensions

**Height** 4064 mm | 160 in

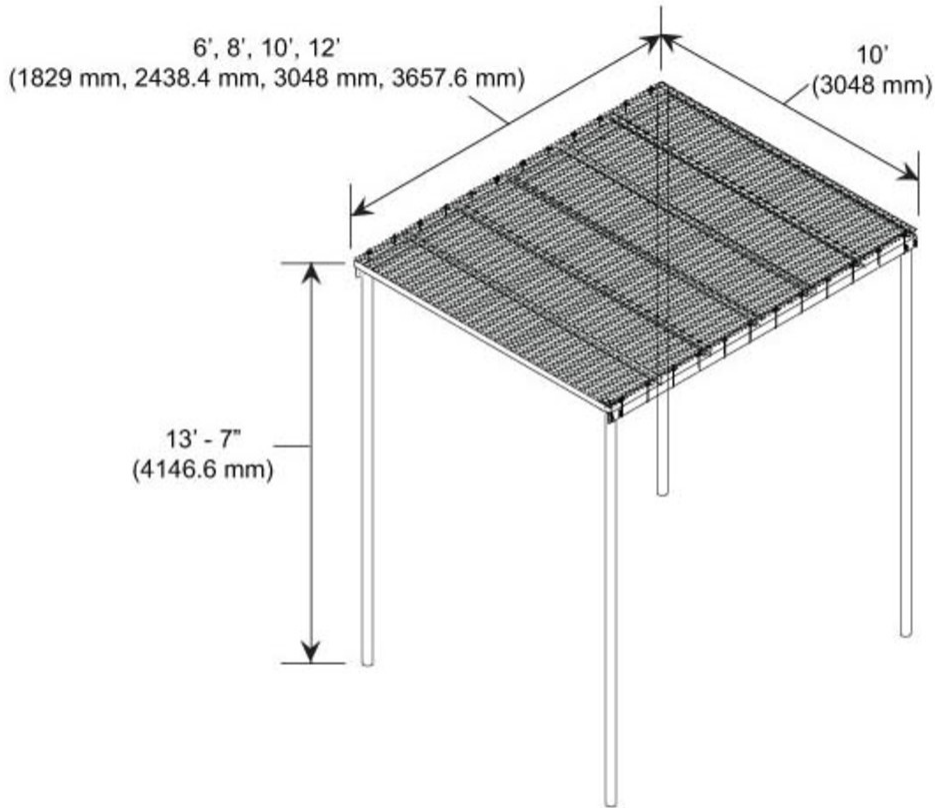
**Width** 3048 mm | 120 in

**Length** 3048 mm | 120 in

**Pipe Length** 4064 mm | 160 in

# IC-1010-B

## Outline Drawing



## Material Specifications

**Material Type** Hot dip galvanized steel

## Packaging and Weights

**Included** Hardware | Legs | Safety grating

**Packaging quantity** 1

**Weight, net** 375 kg | 826.732 lb

## Regulatory Compliance/Certifications

### Agency

CHINA-ROHS

ISO 9001:2015

ROHS

### Classification

Above maximum concentration value

Designed, manufactured and/or distributed under this quality management system

Compliant/Exempted

# IC-1010-B

---

UK-ROHS

Compliant/Exempted



## Included Products

- MF-130 – Direct Burial Pipe Column, 13 ft 4 in
- WB-CY210 – Safety Grated Waveguide Bridge Channel, 24 in x 10 ft

# MF-130

---



Direct Burial Pipe Column, 13 ft 4 in

## Product Classification

**Product Type** Pipe column

## General Specifications

**Application** Direct burial

**Mounting** Waveguide bridge support bracket

**Pipe, quantity** 1

## Dimensions

**Height** 4064 mm | 160 in

**Width** 88.9 mm | 3.5 in

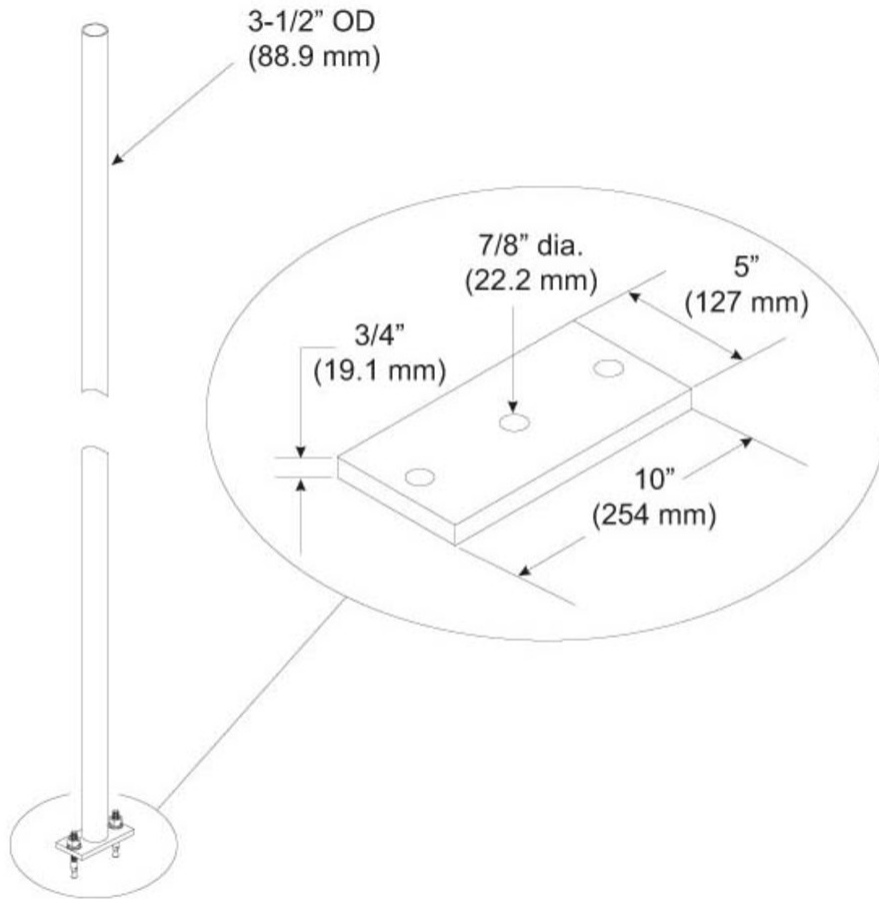
**Length** 88.9 mm | 3.5 in

**Pipe Length** 4,053.84 mm | 159.6 in

**Pipe Outer Diameter** 88.9 mm | 3.5 in

# MF-130

## Outline Drawing



## Material Specifications

**Material Type** Hot dip galvanized steel

## Packaging and Weights

**Included** Anchors | Pipe

**Packaging quantity** 1

**Weight, net** 45.8 kg | 100.972 lb

## Regulatory Compliance/Certifications

**Agency** **Classification**

# MF-130

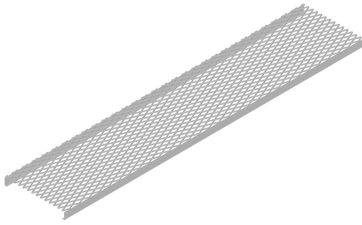
---

CHINA-ROHS	Above maximum concentration value
ISO 9001:2015	Designed, manufactured and/or distributed under this quality management system
ROHS	Compliant/Exempted
UK-ROHS	Compliant/Exempted



# WB-CY210

---



Safety Grated Waveguide Bridge Channel, 24 in x 10 ft

## Product Classification

**Product Type** Waveguide bridge channel

## General Specifications

**Application** Waveguide bridge kit, 24 in

## Dimensions

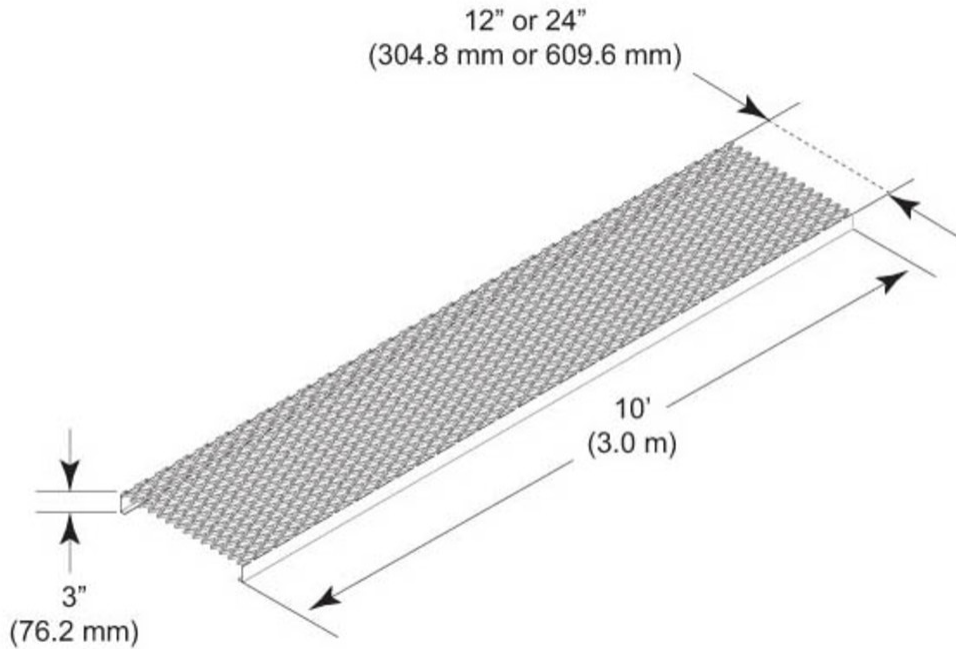
**Height** 76.2 mm | 3 in

**Width** 609.6 mm | 24 in

**Length** 3048 mm | 120 in

# WB-CY210

## Outline Drawing



## Material Specifications

**Material Type** Hot dip galvanized steel

## Packaging and Weights

**Included** Bridge channel

**Packaging quantity** 1

**Weight, net** 50.4 kg | 111.113 lb

## Regulatory Compliance/Certifications

Agency	Classification
CHINA-ROHS	Above maximum concentration value
ISO 9001:2015	Designed, manufactured and/or distributed under this quality management system
ROHS	Compliant/Exempted
UK-ROHS	Compliant/Exempted



