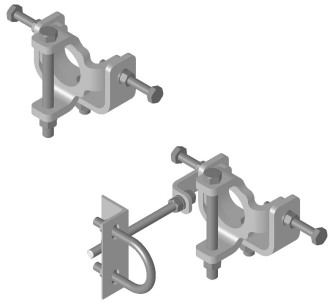


MD-AK-2



Microwave Antenna Strut Adjustment Bracket, 6 in, for 2-3/8 in OD struts

OBSOLETE

This product was discontinued on: October 30, 2015

Product Classification

Product Type Microwave strut component

General Specifications

Mounting Struts, 60.3 mm (2-3/8 in) OD

Pipe, quantity 0

Dimensions

Height 152.4 mm | 6 in

Width 203.2 mm | 8 in

Length 152.4 mm | 6 in

Mounting Diameter, maximum 60.96 mm | 2.4 in

Mounting Diameter, minimum 60.96 mm | 2.4 in

Material Specifications

Material Type Hot dip galvanized steel

Mechanical Specifications

Wind Rating For Specifications, please contact steelproducts@commscope.com or call 800-255-1479

Packaging and Weights

Included Attachment hardware | Clamps

MD-AK-2

Packaging quantity 1
Weight, net 7.3 kg | 16.094 lb

Regulatory Compliance/Certifications

Agency

ISO 9001:2015



Classification

Designed, manufactured and/or distributed under this quality management system

* Footnotes

Wind Rating BWS—Base Wind Speed; FBC—Florida Building Code