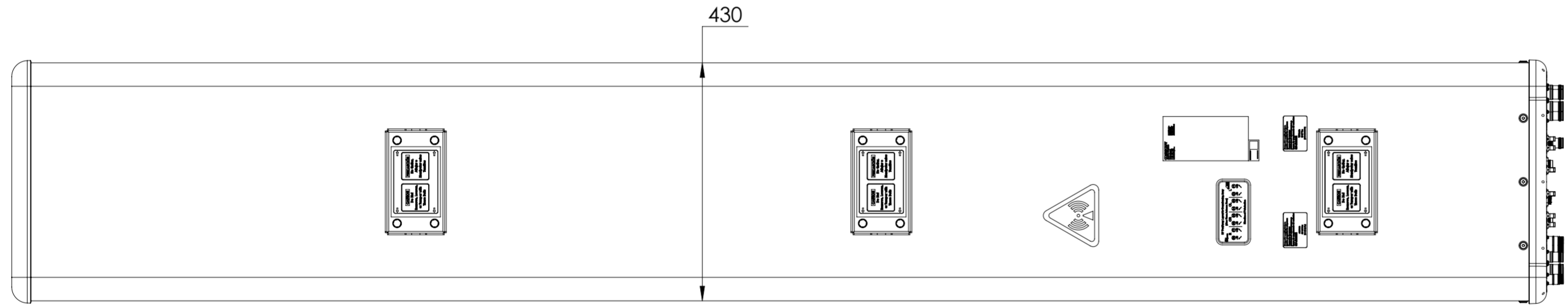
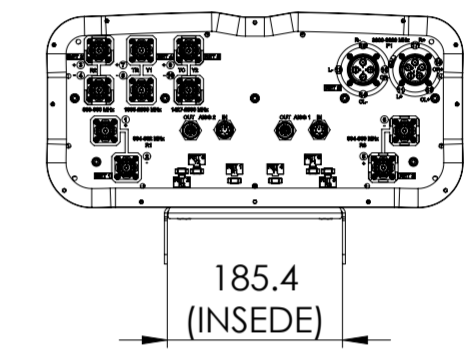
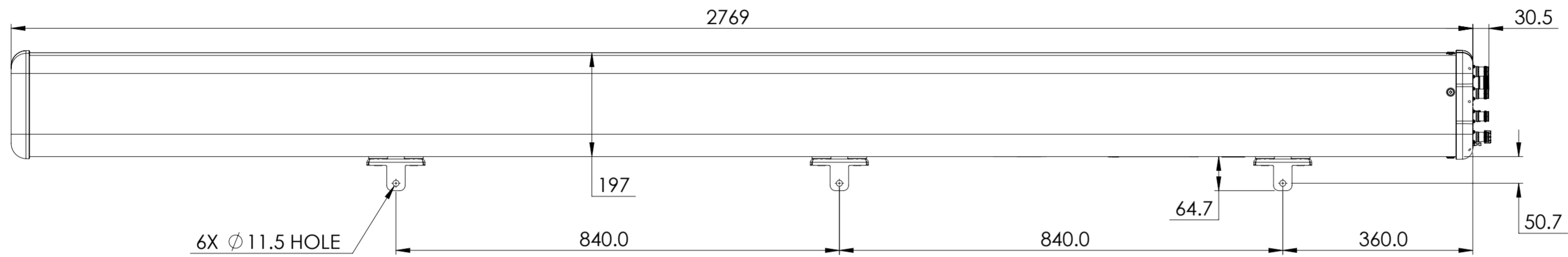


NOTES:

REVISIONS			
REV.	DESCRIPTION	DATE	APPROVED
A	ECR 8000042615: RELEASE TO PRODUCTION PER EAO 608445.	29OCT20 YJP	GZB/XKK



EGRZVS4-65D-R6N43

COMMScope, INC. OF NORTH CAROLINA

TOLERANCES		SAP MATERIAL MASTER	
0 PLACE X ±	2 PLACE .XX ±		
1 PLACE .X ±	ANGLES ±		
FINISH		MATERIAL	
<small>UNLESS OTHERWISE SPECIFIED DIMENSIONS ARE IN MILLIMETERS INTERPRET PER ISO STANDARDS HANDBOOK TECHNICAL DRAWINGS VOLUMES 1 & 2, THIRD EDITION (2002)</small>		NAME	DATE
		CE JYANG4	10/29/2020
		RW JYANG4	12/01/2020
		RV ZL8001	12/01/2020
		AD KXU	12/01/2020
RE BYUAN	12/02/2020	TITLE	
ECN 8000042615-O		PRODUCT DRAWING	
SCALE		DOCUMENT NO.	
1:8		EGRZVS4-65D-R6N43-L	
SIZE	WORK AREA	23	MODEL
A2		VERSION	STATUS
		00	RE
DRAWING		REVISION	VERSION
		A	00
SHEET		STATUS	REVISION
1 OF 1		RE	A

DENSITY	g/mm ³
MASS	grams
VOLUME	mm ³
SURFACE AREA	mm ²
HEIGHT	
LENGTH	
WIDTH	