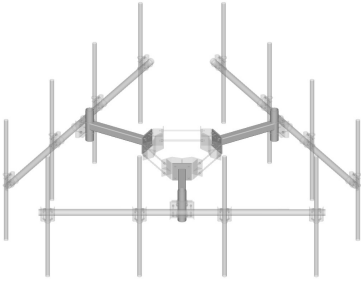


# MT-197-48

---



Single Support Arm, 48 in, includes pipe

## Product Classification

**Product Type** Universal ring mount

## General Specifications

**Mounting** Ring mount

**Pipe, quantity** 1

## Dimensions

**Height** 18 in | 457.2 mm

**Width** 10 in | 254 mm

**Length** 48 in | 1,219.2 mm

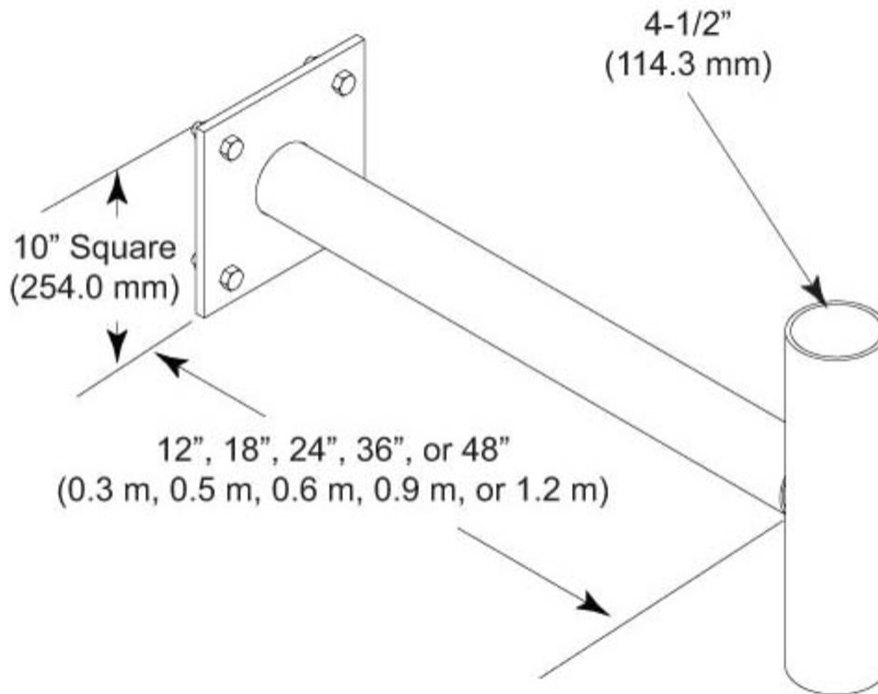
**Pipe Length** 18 in | 457.2 mm

**Pipe Outer Diameter** 4.5 in | 114.3 mm

**Stand-off Distance** 48 in | 1,219.2 mm

# MT-197-48

## Outline Drawing



## Material Specifications

**Material Type** Hot dip galvanized steel

## Mechanical Specifications

**Wind Rating** 120 mph (BWS) at 150 ft AGL | 140 mph (3-second gust) at 150 ft AGL using Exposure D per FBC

**Wind Rating Criteria** Four 72 in x 8 in panel antennas per sector

**Wind Rating Test Method** TIA/EIA-222

## Packaging and Weights

**Included** Hardware | Stand-off arms

**Packaging quantity** 1

**Weight, net** 37.2 kg | 82.012 lb

# MT-197-48

---

## Regulatory Compliance/Certifications

**Agency**

ISO 9001:2015

**Classification**

Designed, manufactured and/or distributed under this quality management system

### \* Footnotes

**Wind Rating**

BWS—Base Wind Speed; FBC—Florida Building Code