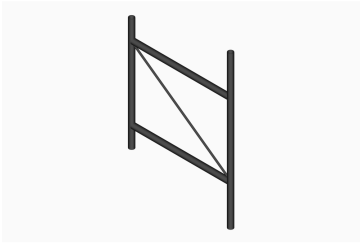


P-100



Panel Antenna Stand-Off Bracket, 12 in

Product Classification

Product Type Stand-off mount

General Specifications

Note One 72 in x 8 in panel antenna per sector

Dimensions

Height 1778 mm | 70 in

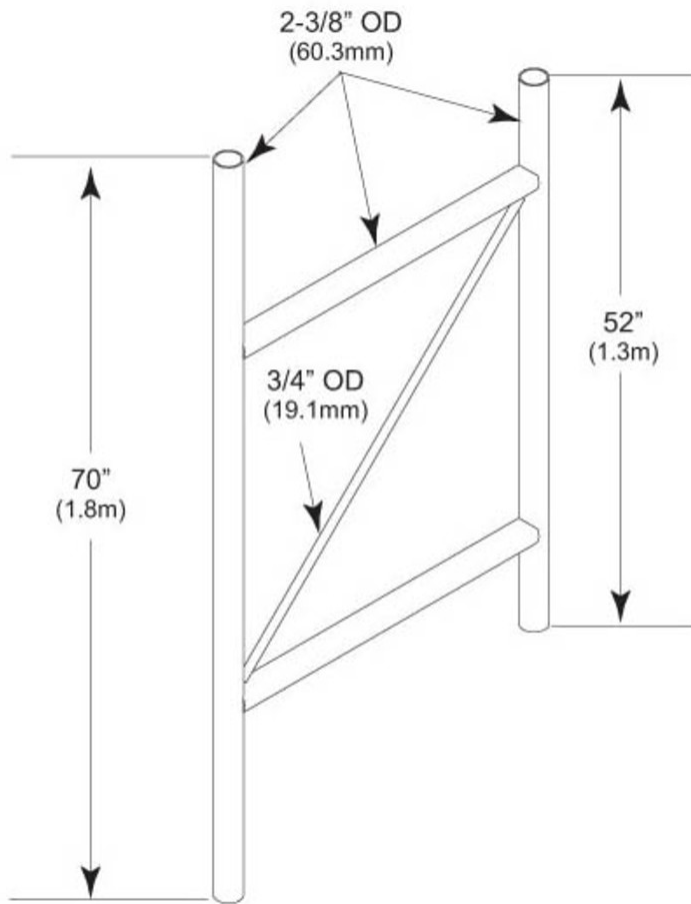
Width 76.2 mm | 3 in

Length 304.8 mm | 12 in

Stand-off Distance 304.8 mm | 12 in

P-100

Outline Drawing



Material Specifications

Material Type Hot dip galvanized steel

Mechanical Specifications

Wind Rating 120 mph (BWS) at 150 ft AGL

Wind Rating Test Method TIA/EIA-222

Packaging and Weights

Included Stand-off

Packaging quantity 1

P-100

Weight, net 19 kg | 41.888 lb

Regulatory Compliance/Certifications

Agency	Classification
CHINA-ROHS	Below maximum concentration value
ISO 9001:2015	Designed, manufactured and/or distributed under this quality management system
REACH-SVHC	Compliant as per SVHC revision on www.andrew.com/ProductCompliance
ROHS	Compliant
UK-ROHS	Compliant



* Footnotes

Wind Rating BWS—Base Wind Speed; FBC—Florida Building Code