

PT-R104



Power Telecommunications Rack, four 80 in rungs, 13 ft 4 in burial posts

Product Classification

Product Type Telecommunications rack

General Specifications

Pipe, quantity 2

Dimensions

Height 127 mm | 5 in

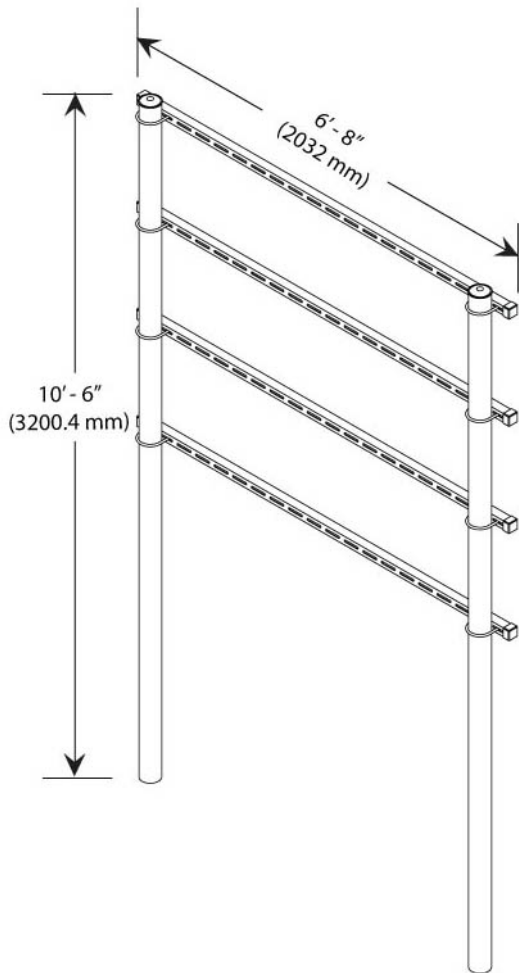
Width 2032 mm | 80 in

Length 4064 mm | 160 in

Pipe Length 4064 mm | 160 in

PT-R104

Outline Drawing



Material Specifications

Material Type Hot dip galvanized steel

Packaging and Weights

Included Hardware | Legs | Unistrut

Packaging quantity 1

Weight, net 75 kg | 165.346 lb

Regulatory Compliance/Certifications

Agency	Classification
--------	----------------

PT-R104

CHINA-ROHS	Above maximum concentration value
ISO 9001:2015	Designed, manufactured and/or distributed under this quality management system
ROHS	Compliant/Exempted
UK-ROHS	Compliant



Included Products

- MF-130 – Direct Burial Pipe Column, 13 ft 4 in

MF-130

Direct Burial Pipe Column, 13 ft 4 in

Product Classification

Product Type Pipe column

General Specifications

Application Direct burial

Mounting Waveguide bridge support bracket

Pipe, quantity 1

Dimensions

Height 4064 mm | 160 in

Width 88.9 mm | 3.5 in

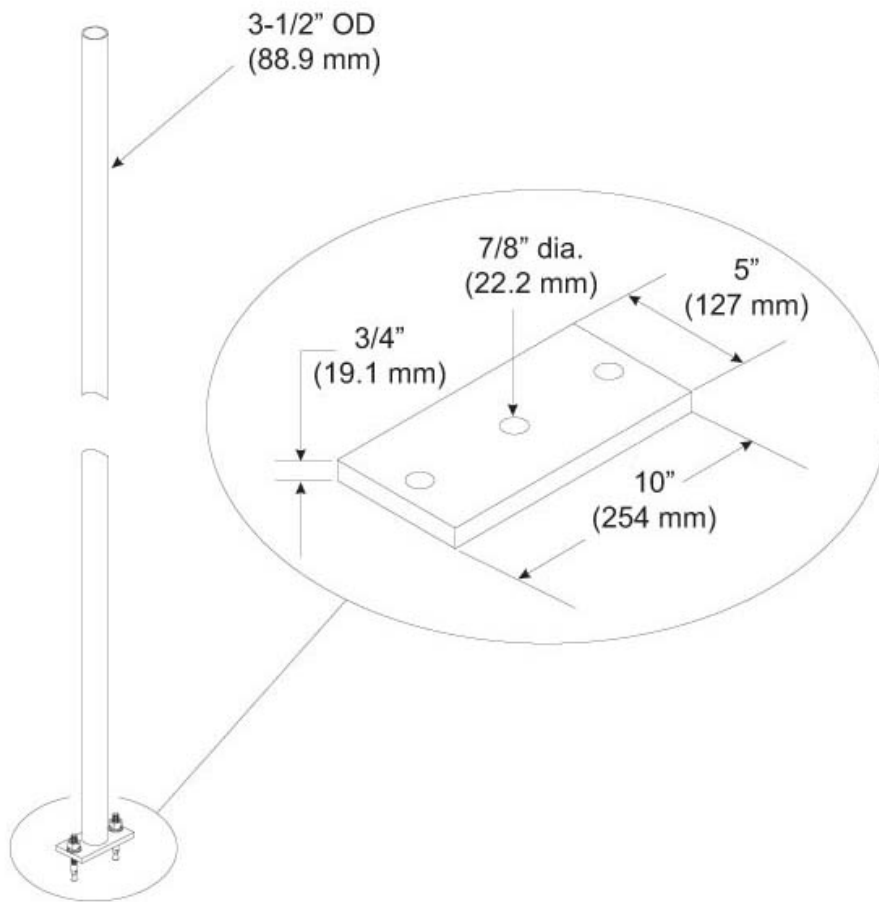
Length 88.9 mm | 3.5 in

Pipe Length 4,053.84 mm | 159.6 in

Pipe Outer Diameter 88.9 mm | 3.5 in

MF-130

Outline Drawing



Material Specifications

Material Type Hot dip galvanized steel

Packaging and Weights

Included Anchors | Pipe

Packaging quantity 1

Weight, net 45.8 kg | 100.972 lb

Regulatory Compliance/Certifications

Agency **Classification**

MF-130

CHINA-ROHS	Above maximum concentration value
ISO 9001:2015	Designed, manufactured and/or distributed under this quality management system
ROHS	Compliant/Exempted
UK-ROHS	Compliant/Exempted

