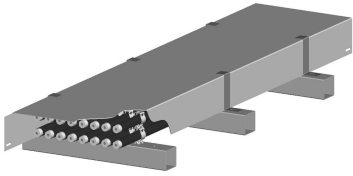


RT-CB4D



Rooftop Cover Kits for SnapStak® Snap-in Hangers, four holes

Product Classification

Product Type Cover

General Specifications

Cable Runs, quantity 4

Hole, quantity 4

Mounting Non-penetrating

Dimensions

Height 279.4 mm | 11 in

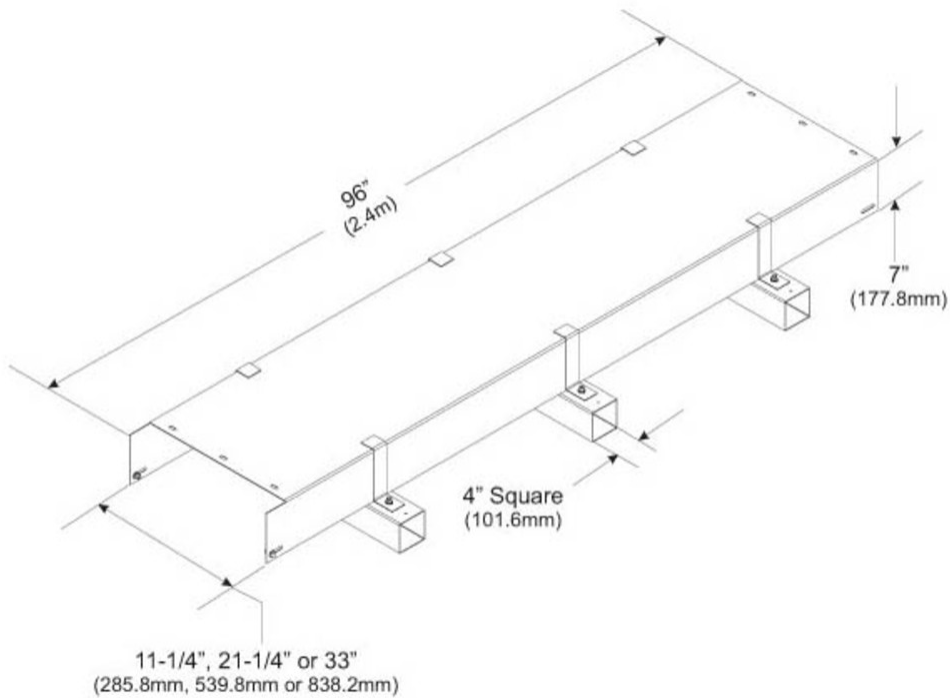
Width 508 mm | 20 in

Length 2,438.4 mm | 96 in

Hole Size 3/4 in

RT-CB4D

Outline Drawing



Material Specifications

Material Type Galvanized steel

Mechanical Specifications

Wind Rating For Specifications, please contact your local ANDREW representative

Packaging and Weights

Included Channel | Hardware | Hold-down clamps | Sleepers (3)

Packaging quantity 1

Weight, net 39 kg | 85.98 lb

Regulatory Compliance/Certifications

Agency

ISO 9001:2015

Classification

Designed, manufactured and/or distributed under this quality management system

RT-CB4D

* Footnotes

Wind Rating

BWS—Base Wind Speed; FBC—Florida Building Code

