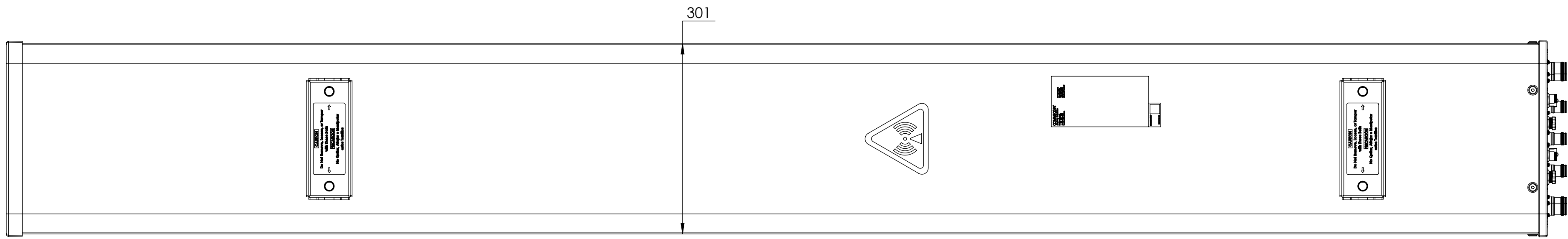
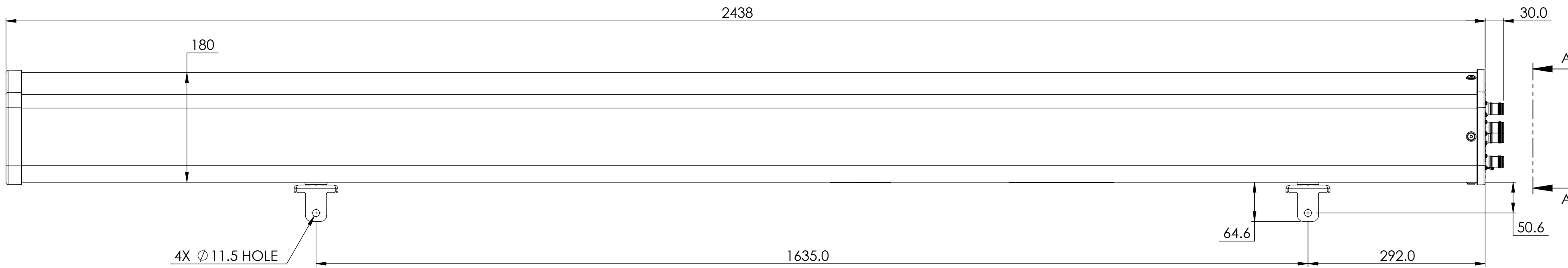
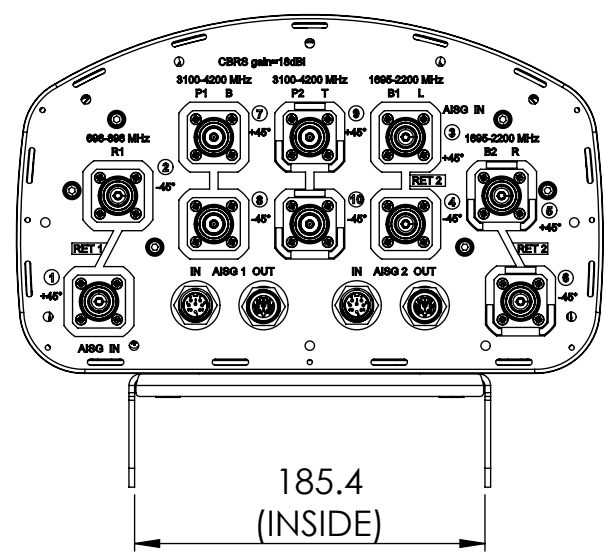


NOTES:

| REVISIONS |   |             |          |
|-----------|---|-------------|----------|
| REV.      | DESCRIPTION                                       | DATE        | APPROVED |
| A         | ECR 8000041159: REL TO PRODUCTION PER EAO 608323. | 25AUG20 RDD | ZHWJ/CCF |



NHHSS-65C-R2BT2



185.4 (INSIDE)  
VIEW A-A  
SCALE 1 : 4

**COMMSCOPE, INC. OF NORTH CAROLINA**

|   |            |   |            |
|---|------------|---|------------|
| TOLERANCES  |            | SAP MATERIAL MASTER   |            |
| 0 PLACE   | X ±        | 2 PLACE   | .XX ±      |
| 1 PLACE   | .X ±       | ANGLES  | ±          |
| FINISH  |            | MATERIAL  |            |
| <small>UNLESS OTHERWISE SPECIFIED DIMENSIONS ARE IN MILLIMETERS INTERPRET PER ISO STANDARDS HANDBOOK TECHNICAL DRAWINGS VOLUMES 1 &amp; 2, THIRD EDITION (2002)</small> |            | NAME  | DATE       |
|   |            | CE RDD  | 25AUG20    |
|   |            | RW DR1050   | 09/01/2020 |
|   |            | RV WZ1020   | 09/01/2020 |
|   |            | AD CC1044   | 09/01/2020 |
| RE XYHANG   | 09/01/2020 | <b>PRODUCT DRAWING</b><br>SCALE 1:5 DOCUMENT NO. <b>NHHSS-65C-R2BT2-L</b> |            |
| ECN 8000041159-O  |            |   |            |
| SIZE  | WORK AREA  | 23  | MODEL      |
| <b>A2</b>   |            | VERSION   | STATUS     |
|   |            | 00  | RE         |
| DRAWING   |            | REVISION  | VERSION    |
| STATUS  |            | REVISION  | VERSION    |
| RE  |            | A   | 00         |
| STATUS  |            | REVISION  | VERSION    |
| RE  |            | A   | 00         |
| SHEET   |            |   | 1 OF 1     |