

Fiber indoor/outdoor cable, LightScope® ZWP, Gel-Filled loose tube. Singlemode G.652.D, 6 fiber, Meters jacket marking, Yellow jacket color, Eca flame rating. Provides Rodent Resistance

OBSOLETE

This product was discontinued on: March 31, 2023

Product Classification

Regional Availability	Asia Australia/New Zealand EMEA
Portfolio	CommScope®
Product Type	Fiber indoor/outdoor cable
Product Series	C-DN

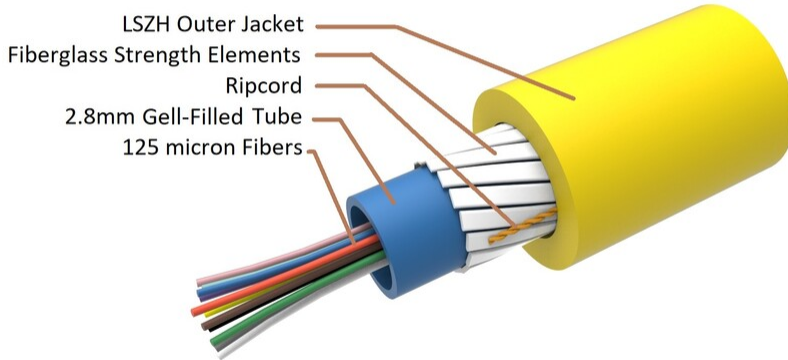
General Specifications

Cable Type	Central loose tube
Subunit Type	Gel-filled
Jacket Color	Yellow
Jacket Marking	Meters
Subunit, quantity	1
Fibers per Subunit, quantity	6
Total Fiber Count	6

Dimensions

Cable Length	1000 m 3,280.84 ft
Buffer Tube/Subunit Diameter	2.8 mm 0.11 in
Diameter Over Jacket	6.4 mm 0.252 in

Representative Image



Mechanical Specifications

Minimum Bend Radius, loaded	130 mm 5.118 in
Minimum Bend Radius, unloaded	130 mm 5.118 in
Tensile Load, long term, maximum	650 N 146.126 lbf
Tensile Load, short term, maximum	1000 N 224.809 lbf
Cable Crush Resistance, maximum	20 N/mm 114.203 lb/in
Compression Test Method	IEC 60794-1-2 E3
Impact	5 N-m 44.254 in lb
Impact Test Method	IEC 60794-1 E4
Twist	5 cycles
Twist Test Method	IEC 60794-1-21 E7

Optical Specifications

Fiber Type	G.652.D OS2
-------------------	---------------

Optical Specifications, Wavelength Specific

Attenuation, maximum	0.35 dB/km @ 1,300 nm 0.35 dB/km @ 1,550 nm 0.45 dB/km @ 1,310 nm
-----------------------------	---

Environmental Specifications

810009858/DB | C-006-DN-8W-M06YL/28G/GY /E

Installation temperature	-5 °C to +50 °C (+23 °F to +122 °F)
Operating Temperature	-10 °C to +60 °C (+14 °F to +140 °F)
Storage Temperature	-10 °C to +60 °C (+14 °F to +140 °F)
EN50575 CPR Cable EuroClass Fire Performance	Eca
Environmental Space	Universal Low Smoke Zero Halogen (ULSZH)

Packaging and Weights

Cable weight	48 kg/km 32.255 lb/kft
---------------------	--------------------------

Included Products

CS-8W-250-EMEA – LightScope® ZWP Singlemode Fiber
250um

* Footnotes

Operating Temperature Specification applicable to non-terminated bulk fiber cable