

MHD-MFDH



Hardened Multifiber Optical Connector (HMFOC) cable assembly, HMFOC jack to HMFOC plug, 12-fiber

- Hardened connectors are factory-terminated and environmentally sealed for use in optical drop cable deployments
- Hardened drop cables incorporate hardened connector technology that is designed to withstand the rugged outside plant environment
- Hardened drop cables simplify installation and maintenance by reducing splicing requirements in the distribution portion of the network

Product Classification

Regional Availability	Asia Latin America North America
Portfolio	CommScope®
Product Type	Fiber drop cable assembly
Product Series	MHD

General Specifications

Cable Type	Toneable - Flat
Connector A, quantity	1
Color, boot A	Black
Color, connector A	Black
Connector B, quantity	1
Color, boot B	Black
Color, connector B	Black
Interface, Connector A	Hardened multi-fiber (HMFOC) jack
Interface Feature, connector A	Male Pinned
Interface, Connector B	Hardened multi-fiber (HMFOC) plug
Interface Feature, connector B	Female Unpinned
Jacket Color	Black
Total Fibers, quantity	12

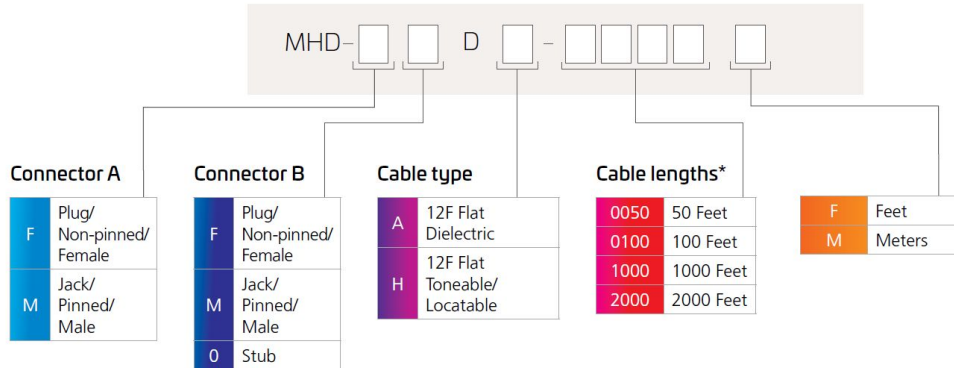
Dimensions

Cable Assembly Length Range (m)	1 – 750
Cable Assembly Length Range (ft)	50 – 2000

MHD-MFDH

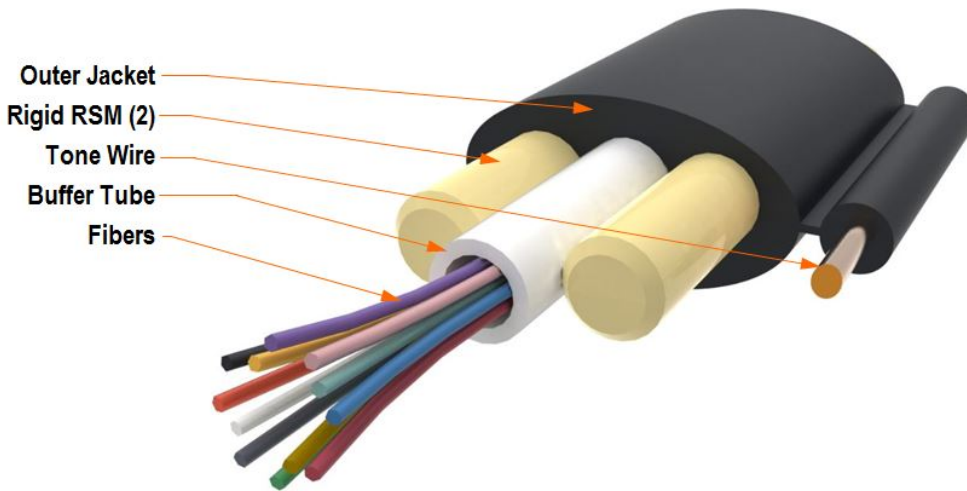
Cable Outer Diameter 4.3 x 9.9 mm (0.17 x 0.39 in)

Ordering Tree



* Cable Length shown as an example, additional cable lengths available upon request up to 2,000 ft. (600 m).

Representative Image



Mechanical Specifications

Minimum Bend Radius, loaded	86 mm 3.386 in
Minimum Bend Radius, unloaded	81 mm 3.189 in
Tensile Load, long term, maximum	400 N 89.924 lbf
Tensile Load, short term, maximum	1334 N 299.895 lbf

Optical Specifications

MHD-MFDH

Fiber Mode	Singlemode
Fiber Type	G.657.A2, TeraSPEED®
Insertion Loss, maximum, connector A	0.45 dB
Insertion Loss, maximum, connector B	0.45 dB
Return Loss, minimum, connector A	65 dB
Return Loss, minimum, connector B	65 dB

Environmental Specifications

Installation temperature	-30 °C to +70 °C (-22 °F to +158 °F)
Operating Temperature	-40 °C to +70 °C (-40 °F to +158 °F)
Storage Temperature	-40 °C to +75 °C (-40 °F to +167 °F)
Environmental Space	Outdoor, buried
Jacket UV Resistance	UV stabilized

Packaging and Weights

Packaging quantity	1
---------------------------	---

Regulatory Compliance/Certifications

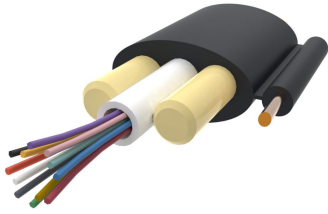
Agency	Classification
CHINA-ROHS	Below maximum concentration value
REACH-SVHC	Compliant as per SVHC revision on www.commscope.com/ProductCompliance
ROHS	Compliant
UK-ROHS	Compliant/Exempted



Included Products

810009374/DB O-012-DF-HY-F12NS/30T /8G1012/1X24AWG	–	Tone Wire Outdoor Drop Cable, 12 fiber Arid Core construction, central loose tube
--	---	---

810009374/DB | O-012-DF-HY-F12NS/30T /8G1012/1X24AWG



Tone Wire Outdoor Drop Cable, 12 fiber Arid Core construction, central loose tube

Product Classification

Regional Availability	Asia Australia/New Zealand EMEA Latin America North America
Portfolio	CommScope®
Product Type	Hybrid cable, fiber and tone-wire

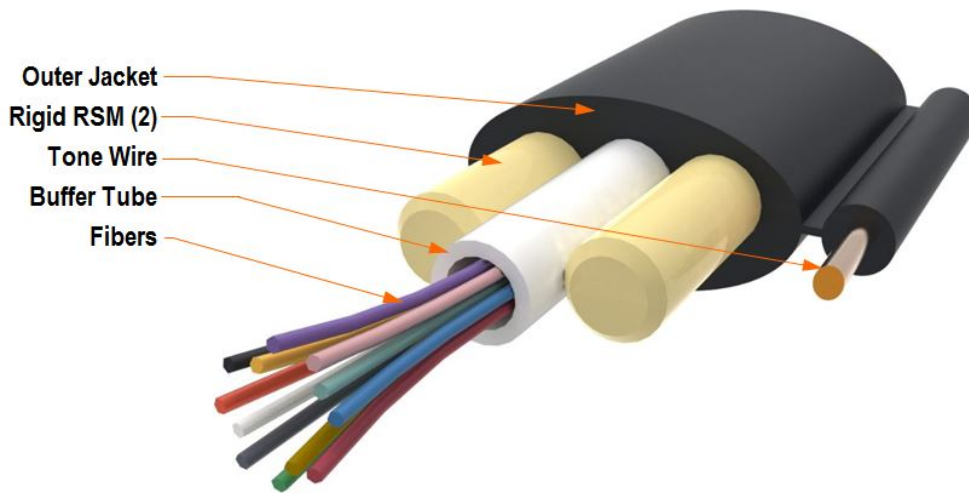
General Specifications

Cable Type	Central loose tube
Construction Type	Non-armored
Fiber Short Description	O-012-DF-HY-F12NS/20G/1X24AWG
Subunit Type	Gel-filled
Jacket Color	Black
Subunit, quantity	1
Fibers per Subunit, quantity	12
Tone Wire, quantity	1
Total Fiber Count	12

Dimensions

Height Over Jacket	4.572 mm 0.18 in
Buffer Tube/Subunit Diameter	3.048 mm 0.12 in
Diameter Over Jacket	9.906 mm 0.39 in
Diameter Over Messenger Jacket	2.032 mm 0.08 in
Tone Wire Gauge	24 AWG

Representative Image



Mechanical Specifications

Minimum Bend Radius, loaded	86.36 mm 3.4 in
Minimum Bend Radius, unloaded	63.5 mm 2.5 in
Tensile Load, long term, maximum	400.34 N 90 lbf
Tensile Load, short term, maximum	1,334.466 N 300 lbf
Compression	1.018 kg/mm 57 lb/in
Compression Test Method	FOTP-41 IEC 60794-1 E3
Flex	35 cycles
Flex Test Method	FOTP-104 IEC 60794-1 E6
Impact	2.17 ft lb 2.942 N-m
Impact Test Method	FOTP-25 IEC 60794-1 E4
Strain	See long and short term tensile loads
Strain Test Method	FOTP-33 IEC 60794-1 E1
Twist	10 cycles
Twist Test Method	FOTP-85 IEC 60794-1 E7
Vertical Rise, maximum	889.102 m 2917 ft

Optical Specifications

Fiber Type	G.657.A2 G.657.A2, TeraSPEED®
-------------------	---------------------------------

Environmental Specifications

810009374/DB | O-012-DF-HY-F12NS/30T /8G1012/1X24AWG

Installation temperature	-30 °C to +70 °C (-22 °F to +158 °F)
Operating Temperature	-40 °C to +70 °C (-40 °F to +158 °F)
Storage Temperature	-40 °C to +75 °C (-40 °F to +167 °F)
Cable Qualification Standards	ANSI/ICEA S-110-717
Environmental Space	Aerial, lashed Buried
Jacket UV Resistance	UV stabilized
Water Penetration	24 h
Water Penetration Test Method	FOTP-82 IEC 60794-1 F5

Environmental Test Specifications

Cable Freeze	-2 °C 28.4 °F
Cable Freeze Test Method	FOTP-98 IEC 60794-1 F15
Drip	70 °C 158 °F
Drip Test Method	FOTP-81 IEC 60794-1 E14
Heat Age	-40 °C to +85 °C (-40 °F to +185 °F)
Heat Age Test Method	IEC 60794-1 F9
Low High Bend	-30 °C to +60 °C (-22 °F to +140 °F)
Low High Bend Test Method	FOTP-37 IEC 60794-1 E11
Temperature Cycle	-40 °C to +70 °C (-40 °F to +158 °F)
Temperature Cycle Test Method	FOTP-3 IEC 60794-1 F1

Packaging and Weights

Cable weight	36.906 kg/km 24.8 lb/kft
---------------------	----------------------------

Regulatory Compliance/Certifications

Agency	Classification
CHINA-ROHS	Below maximum concentration value
ISO 9001:2015	Designed, manufactured and/or distributed under this quality management system
REACH-SVHC	Compliant as per SVHC revision on www.commscope.com/ProductCompliance
ROHS	Compliant
UK-ROHS	Compliant



* Footnotes

810009374/DB | O-012-DF-HY-F12NS/30T /8G1012/1X24AWG

Operating Temperature Specification applicable to non-terminated bulk fiber cable