

MHBD-MOC1A



Hardened Multifiber Optical Connector (HMFOC) cable assembly, HMFOC jack to 12 SC, 12-fiber

- *Product complies with the Build America, Buy America Act (BABAA) requirements of the Infrastructure Investment and Jobs Act of 2021 (Pub. L. 117- 58, §§ 70901-70953), or is the subject of a waiver approved by the Secretary of Commerce or designee. Compliance requirements and waiver applicability vary based on government funding program. Check the laws and regulations for your specific program.

Product Classification

Regional Availability	Asia Latin America North America
Product Type	Fiber drop cable assembly
Product Series	MHBD
Government Funding	Build America Buy America (BABA) compliant*
Ordering Note	For custom cable assembly lengths, please contact your local CommScope representative

General Specifications

Cable Type	Dielectric - Flat
Connector A, quantity	1
Color, boot A	Black
Color, connector A	Black
Connector B, quantity	12
Color, boot B	Blue
Color, connector B	Blue
Interface, Connector A	Hardened multi-fiber (HMFOC) jack
Interface Feature, connector A	Male
Interface, Connector B	SC/UPC
Jacket Color	Black
Total Fibers, quantity	12

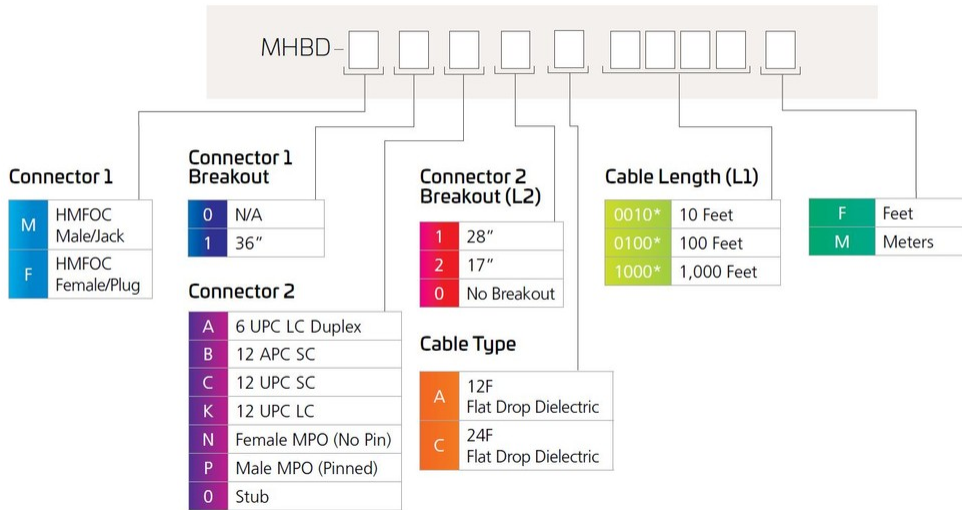
Dimensions

Breakout Length, connector B	711.2 mm 28 in
Cable Assembly Length Range (m)	1 – 900

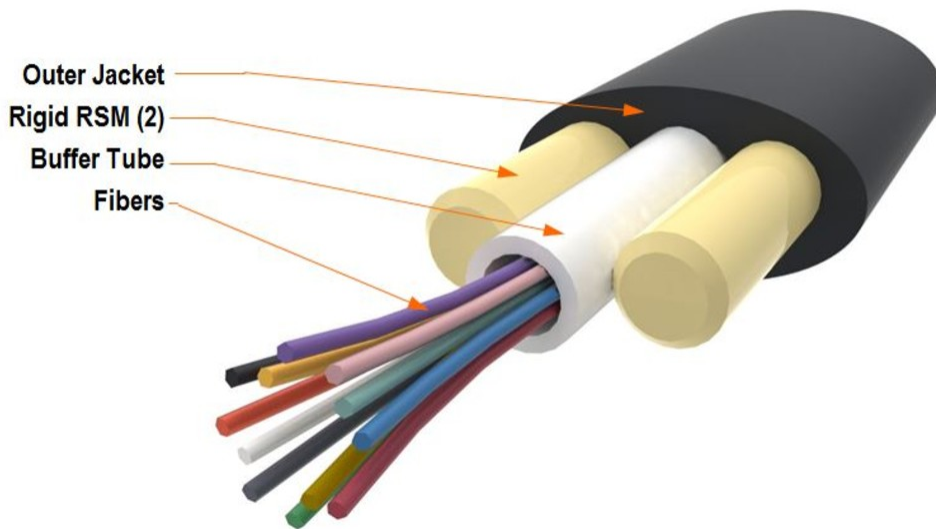
MHBD-MOC1A

Cable Assembly Length Range (ft)	10 – 1000
Cable Outer Diameter	4.5 x 8.0 mm (0.18 x 0.31 in)

Ordering Tree



Representative Image



Mechanical Specifications

Minimum Bend Radius, loaded	88.9 mm 3.5 in
------------------------------------	------------------

MHBD-MOC1A

Minimum Bend Radius, unloaded 63.5 mm | 2.5 in

Optical Specifications

Fiber Mode	Singlemode
Fiber Type	G.657.A2, TeraSPEED®
Insertion Loss, maximum, connector A	0.45 dB
Insertion Loss, maximum, connector B	0.4 dB
Return Loss, minimum, connector A	65 dB
Return Loss, minimum, connector B	55 dB

Environmental Specifications

Installation temperature	-30 °C to +70 °C (-22 °F to +158 °F)
Operating Temperature	-40 °C to +70 °C (-40 °F to +158 °F)
Storage Temperature	-40 °C to +75 °C (-40 °F to +167 °F)
Environmental Space	Outdoor, buried
Jacket UV Resistance	UV stabilized

Packaging and Weights

Packaging quantity 1