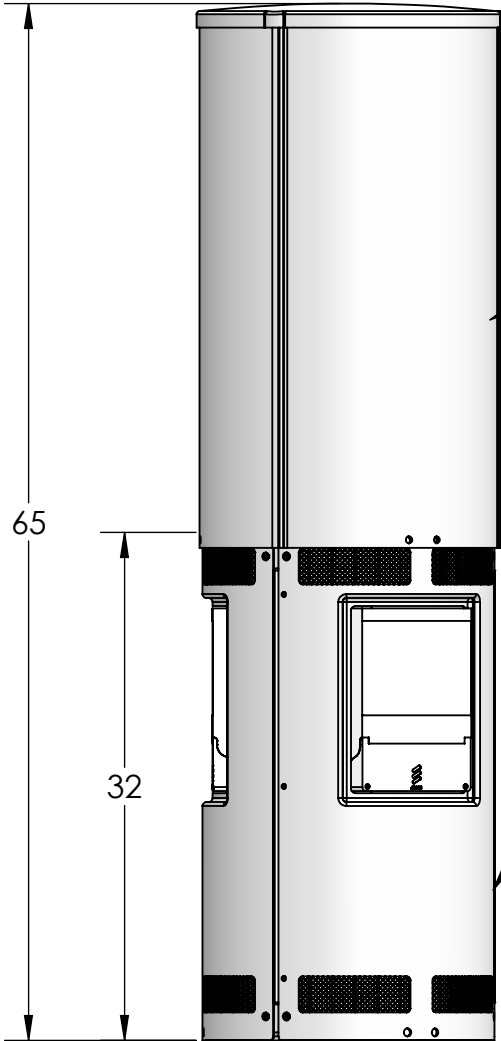
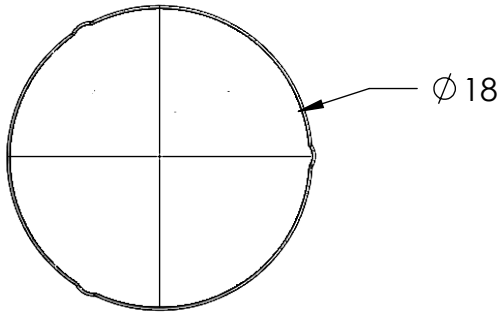


REVISIONS			
REV.	DESCRIPTION	BY	DATE
A	INITIAL RELEASE	MJP	03/12/2021

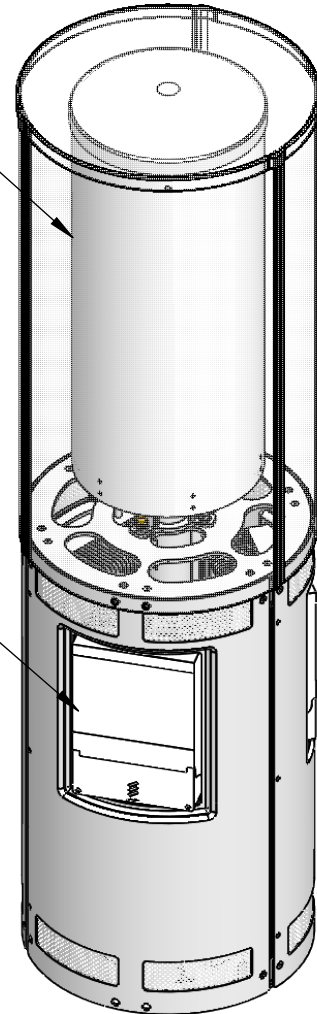


CANISTER ANTENNA

CANISTER ANTENNA SHROUD

(3x) 5G RRU TYPICAL

VENTED CONCEALMENT PANEL



These drawings and specifications are the proprietary property of CommScope Inc. and may be used only for the specific purpose authorized in writing by CommScope Inc.

ALL DIMENSIONS ARE IN INCHES U.O.S.
TOLERANCES UNLESS OTHERWISE SPECIFIED:

.X = ±	.12	ANGLES	±2°
.XX = ±	.06	FRACTIONS	±1/32
.XXX = ±	.031		

REMOVE BURRS AND BREAK EDGES .005

DO NOT SCALE THIS PRINT

DRAWN BY:

MJP

SHEET:

1 of 1

PART NUMBER:

SSC-760251378E1UX Line

CHECKED BY:

SCALE:

DESCRIPTION:

METRO CELL, SOLN - PT 18 IN

DATE:

MATERIAL:

A36, A500, AL 5052

DRAWING TYPE:

REVISION:

A

FINISH:

N/A

WEIGHT:

COMMSCOPE®