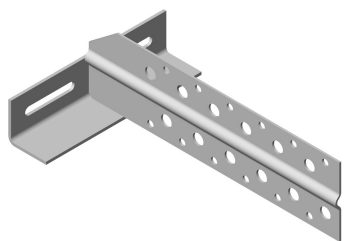


TL-S012



Waveguide Stand-Off Bracket for 12 coaxial cable runs

Product Classification

Portfolio	CommScope®
Product Type	Waveguide stand-off bracket
Ordering Note	CommScope® non-standard product
Warranty	One year

General Specifications

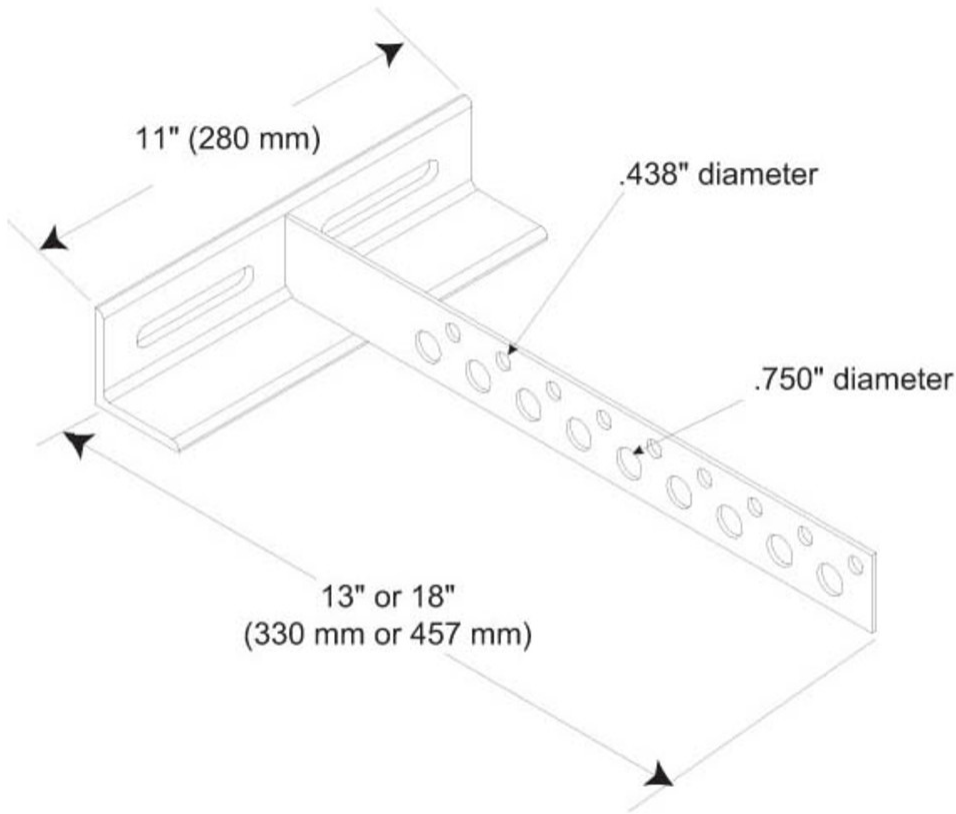
Cable Runs, quantity	12
Mounting	Leg gussets Tower legs up to 114.3 mm (4-1/2 in) OD Wall applications

Dimensions

Height	101.6 mm 4 in
Width	330.2 mm 13 in
Length	279.4 mm 11 in

TL-S012

Outline Drawing



Material Specifications

Material Type Hot dip galvanized steel

Packaging and Weights

Included Brackets
Packaging quantity 1
Weight, net 2.1 kg | 4.63 lb

Regulatory Compliance/Certifications

Agency	Classification
CHINA-ROHS	Below maximum concentration value
ISO 9001:2015	Designed, manufactured and/or distributed under this quality management system

TL-S012

REACH-SVHC	Compliant as per SVHC revision on www.commscope.com/ProductCompliance
ROHS	Compliant
UK-ROHS	Compliant



* Footnotes

Warranty

For more information, please consult our Product Warranty guidelines