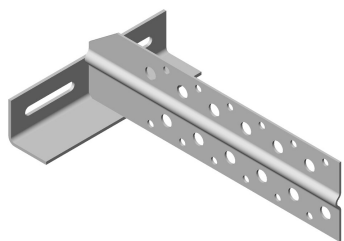


TL-S06



Waveguide Stand-Off Bracket for 6 coaxial cable runs

Product Classification

| | |
|----------------------|------------------------------|
| Product Type | Waveguide stand-off bracket |
| Ordering Note | ANDREW® non-standard product |
| Warranty | One year |

General Specifications

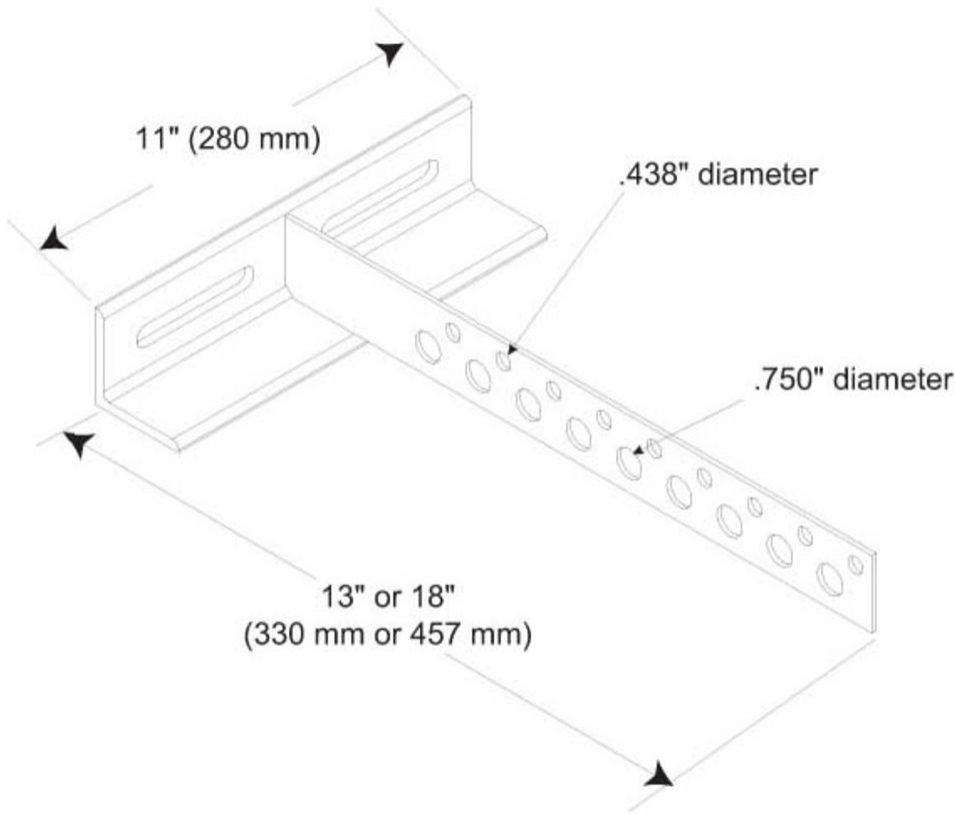
| | |
|-----------------------------|---|
| Cable Runs, quantity | 6 |
| Mounting | Leg gussets Tower legs up to 114.3 mm (4-1/2 in) OD Wall applications |

Dimensions

| | |
|---------------|------------------|
| Height | 101.6 mm 4 in |
| Width | 330.2 mm 13 in |
| Length | 279.4 mm 11 in |

TL-S06

Outline Drawing



Material Specifications

Material Type Hot dip galvanized steel

Packaging and Weights

Included Brackets
Packaging quantity 1
Weight, net 1.9 kg | 4.189 lb

Regulatory Compliance/Certifications

| Agency | Classification |
|---------------|--|
| CHINA-ROHS | Below maximum concentration value |
| ISO 9001:2015 | Designed, manufactured and/or distributed under this quality management system |

TL-S06

| | |
|------------|--|
| REACH-SVHC | Compliant as per SVHC revision on www.andrew.com/ProductCompliance |
| ROHS | Compliant |
| UK-ROHS | Compliant |



* Footnotes

Warranty For more information, please consult our Product Warranty guidelines