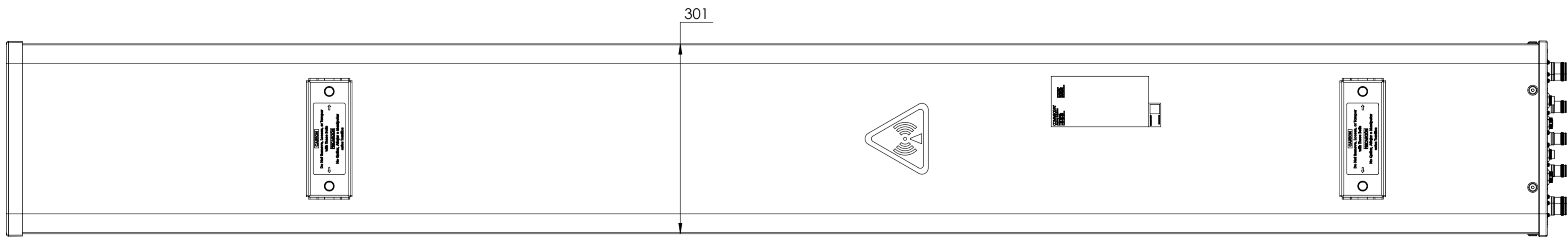
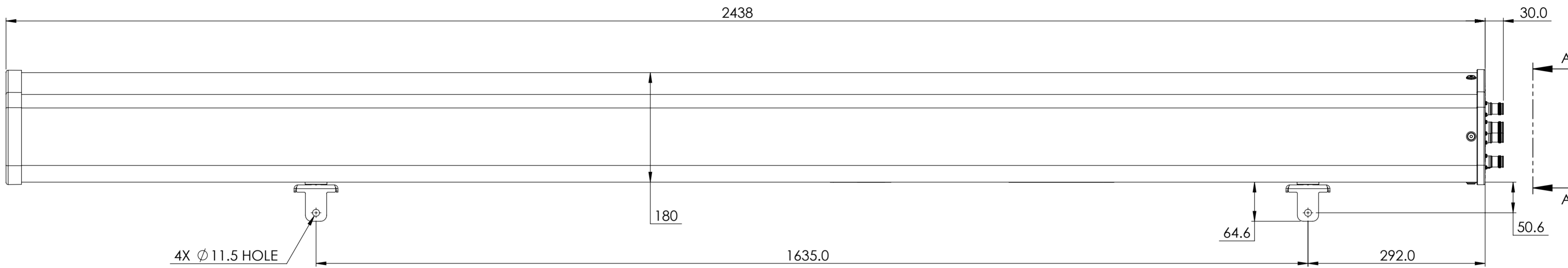
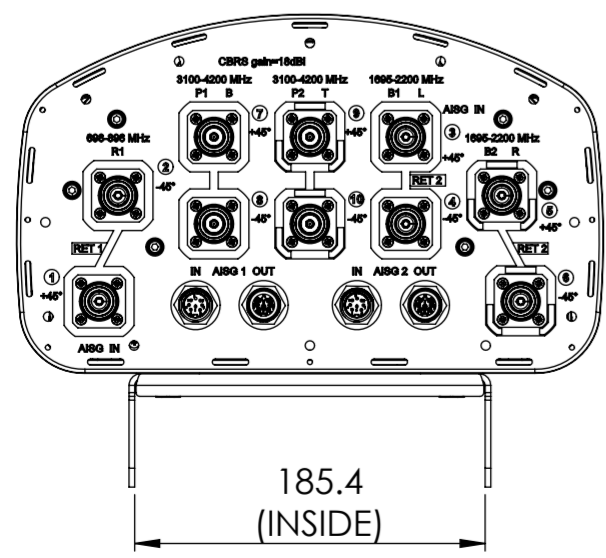


REVISIONS			
REV.	DESCRIPTION	DATE	APPROVED
A	ECR 11206PC: REL TO PRODUCTION PER EAO 609646.	26MAR21 FFJ	ZYL/XL



NHHSS-65C-R2BT10



185.4 (INSIDE)
VIEW A-A
SCALE 1 : 4

COMMSCOPE, INC. OF NORTH CAROLINA											
TOLERANCES						SAP MATERIAL MASTER					
0 PLACE X ±			2 PLACE .XX ±			1 PLACE .X ±			ANGLES ±		
FINISH						MATERIAL					
UNLESS OTHERWISE SPECIFIED DIMENSIONS ARE IN MILLIMETERS INTERPRET PER ISO STANDARDS HANDBOOK TECHNICAL DRAWINGS VOLUMES 1 & 2, THIRD EDITION (2002)	NAME	DATE	TITLE								
	CE FFAN2	03/26/2021	PRODUCT DRAWING								
	RW FFAN2	03/30/2021									
	RV WZ1020	09/01/2020									
	AD ZL8001	03/30/2021									
RE ZHHCHEN	03/30/2021										
ECN 11206PC			SCALE	DOCUMENT NO.							
			1:5	NHHSS-65C-R2BT10-L							
SIZE	WORK AREA	BSA	MODEL			DRAWING			SHEET		
A2			VERSION	STATUS	REVISION	VERSION	STATUS	REVISION	1 OF 1		
			00	RE	A	00	RE	A			

DENSITY	g/mm ³
MASS	grams
VOLUME	mm ³
SURFACE AREA	mm ²
HEIGHT	
LENGTH	
WIDTH	