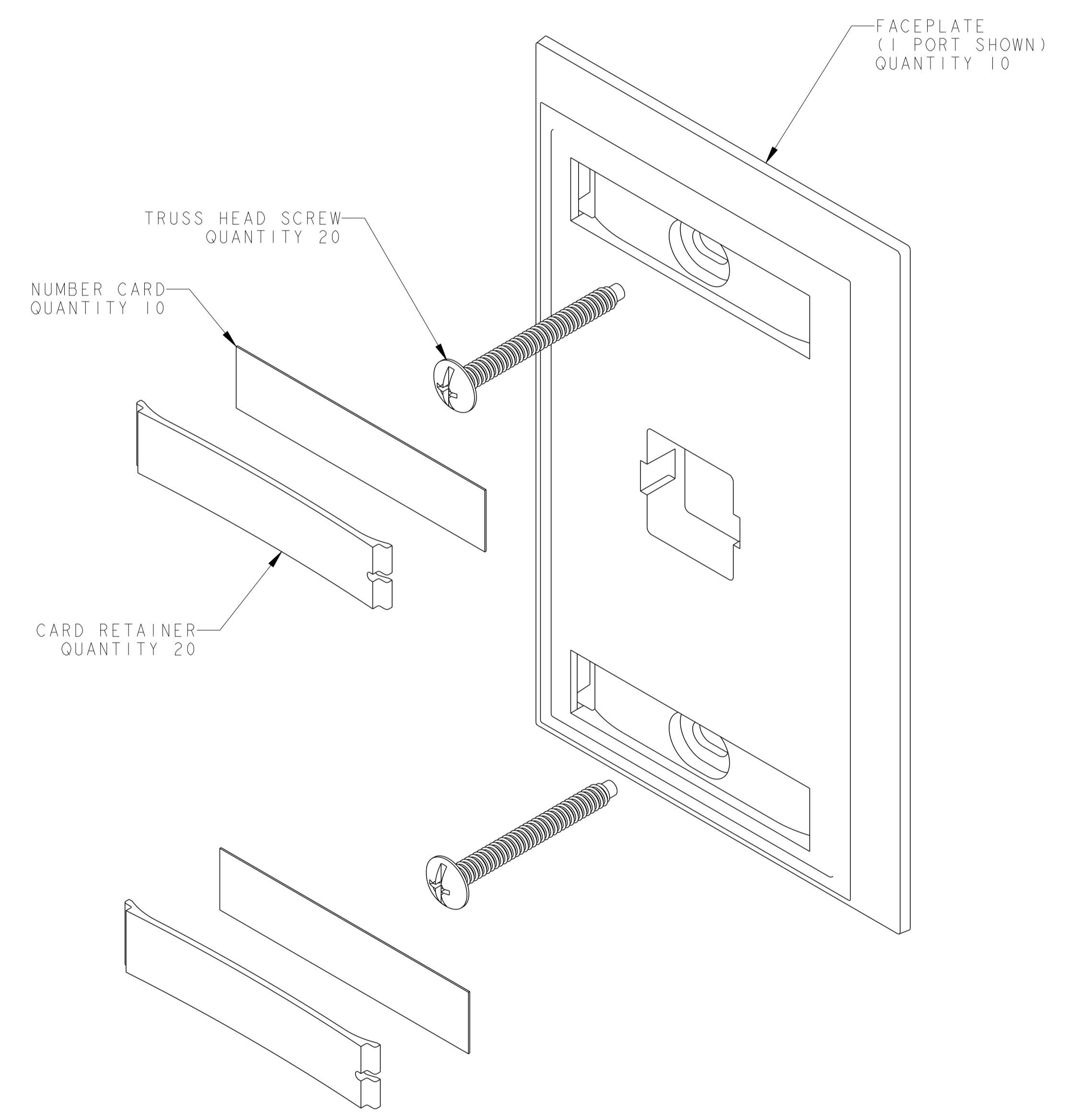
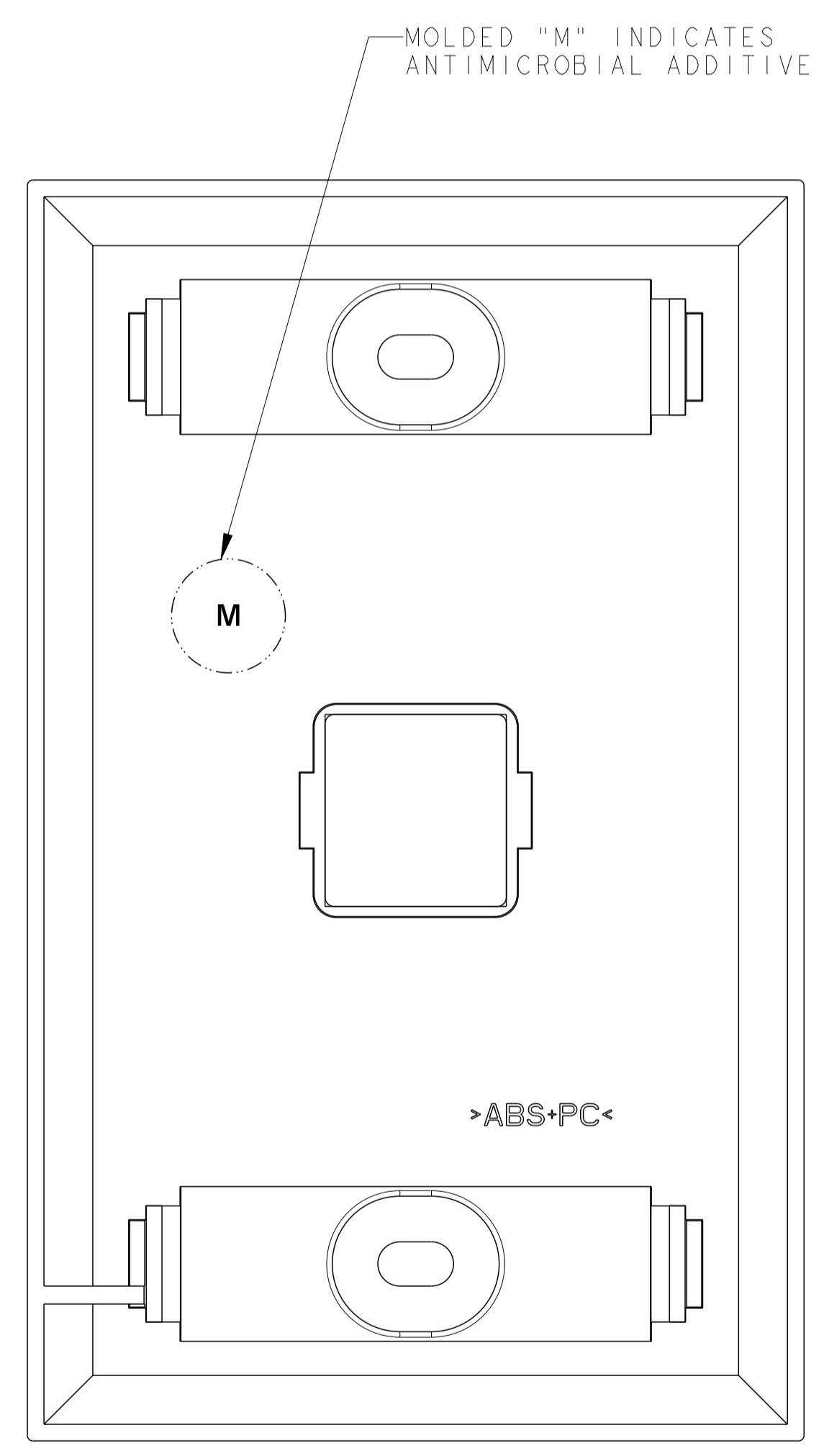
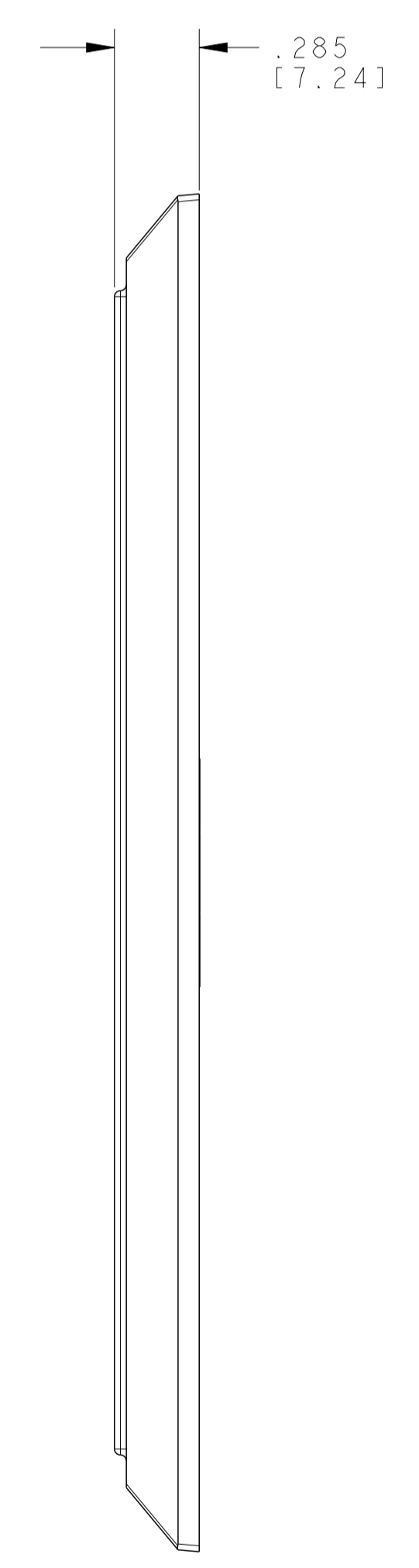
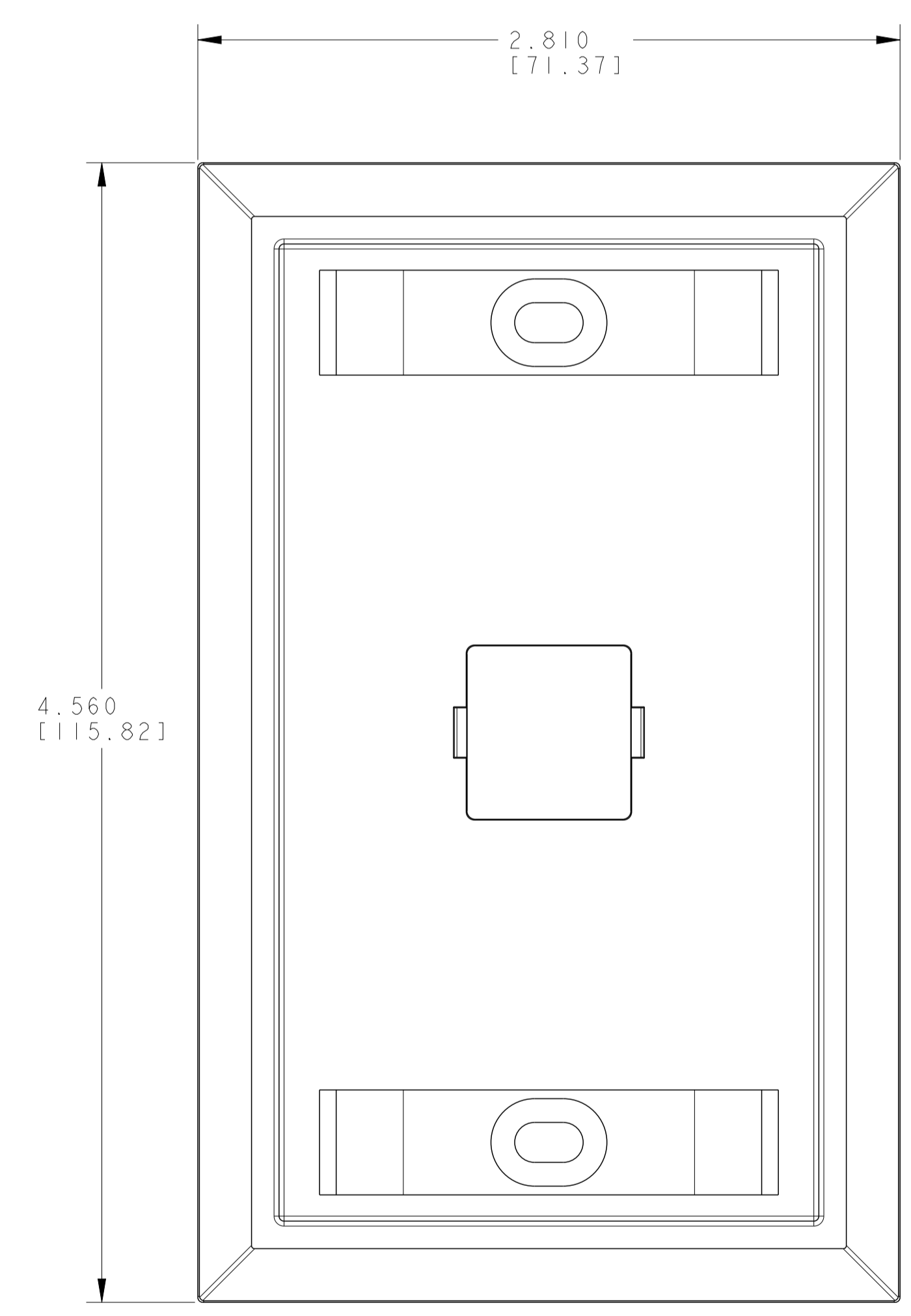


REVISIONS			
REV	CMO	DATE	APPROVED
A	40128989CMO	12-APR-21	BL

NOTES:

- PARTS SHIPPED LOOSE.
- MOLDED FACEPLATES CONTAIN AN ANTI-MICROBIAL ADDITIVE THAT HAS PASSED TESTING SPECIFIED BY ISO 22196:2011 MEASUREMENT OF ANTIBACTERIAL ACTIVITY ON PLASTICS AND OTHER NON-POROUS SURFACES.
- MATERIAL:
FACEPLATE - PC/ABS MOLDING COMPOUND, FLAMMABILITY VALUE UL 94 V-0
SCREWS - ZINC PLATED CARBON STEEL
LABEL COVER - POLYCARBONATE MOLDING COMPOUND, CLEAR
LABEL - WHITE INDEX PAPER



FACEPLATE KIT, 4 PORT, AB	MI4L-262 AB	760250080
FACEPLATE KIT, 2 PORT, AB	MI2L-262 AB	760250079
FACEPLATE KIT, 1 PORT, AB	MI0L-262 AB	760250078
DESCRIPTION	CATALOG NUMBER	MID

UNITS	TOLERANCE	INCHES [MM]	VALUE	DRAFTER	TITLE	SIZE	SCALE	DOCUMENT NO.
0 PLC	-			G. GARRETT	FACEPLATE KIT, ANTI-MICROBIAL, ECO-BULK	A	2/1	A20107535
1 PLC	-			ENGINEER				
2 PLC	-			B. LASLEY				
3 PLC	-							
4 PLC	-							
ANGLE TOL	-							
SURFACE TOL	-							

COMMSCOPE, INC.

FACEPLATE KIT, ANTI-MICROBIAL, ECO-BULK

A20107535

CUSTOMER DRAWING

REVISION SHEET
A 1 OF 1