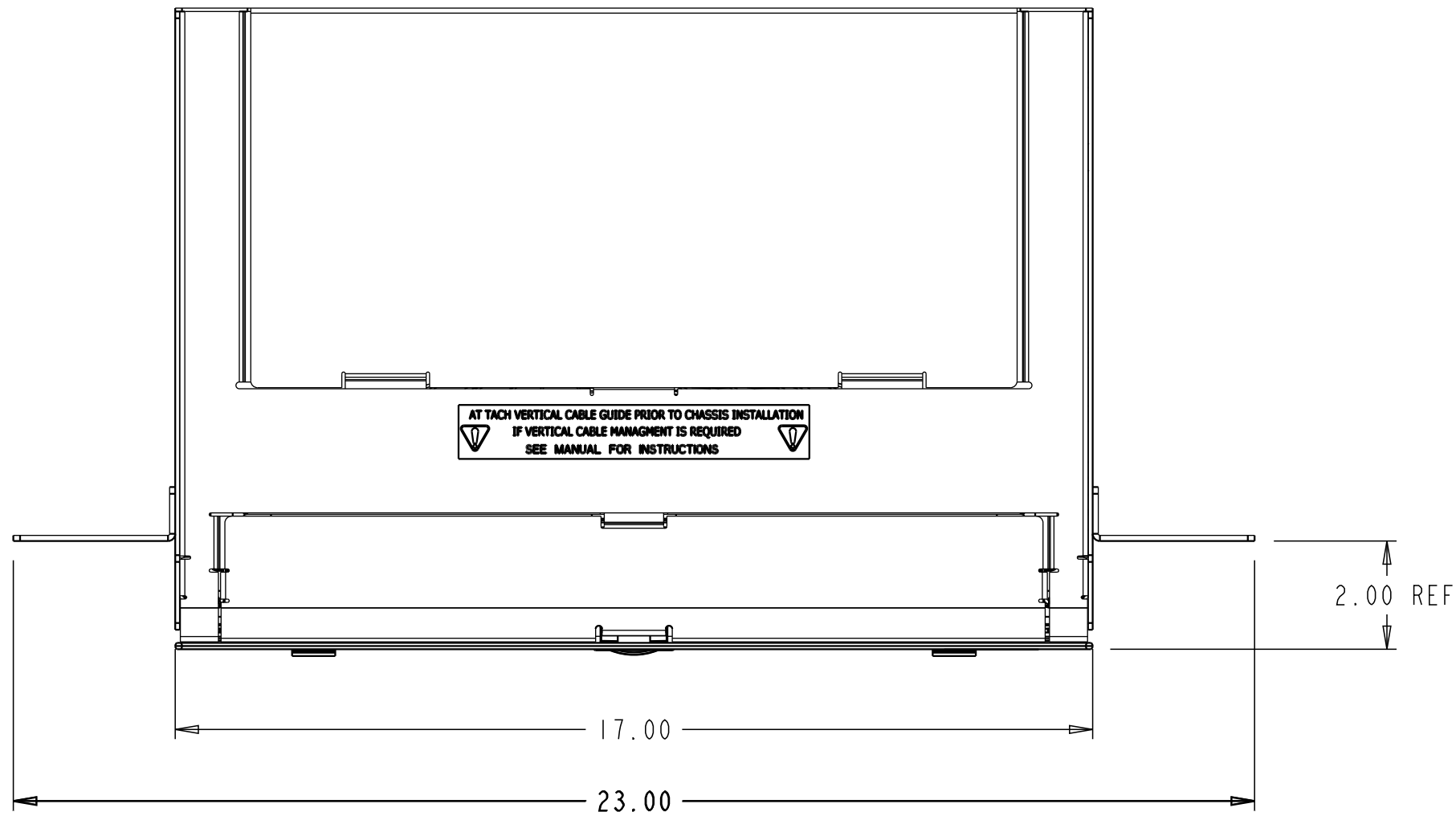
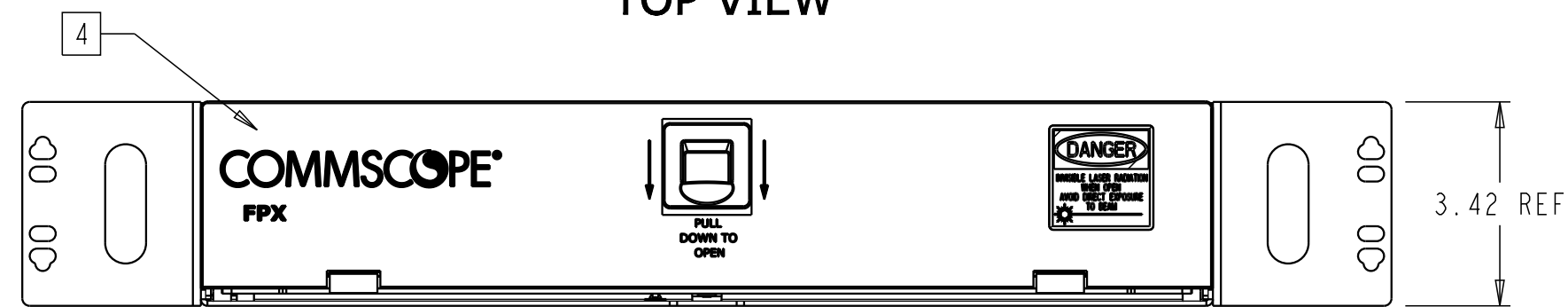


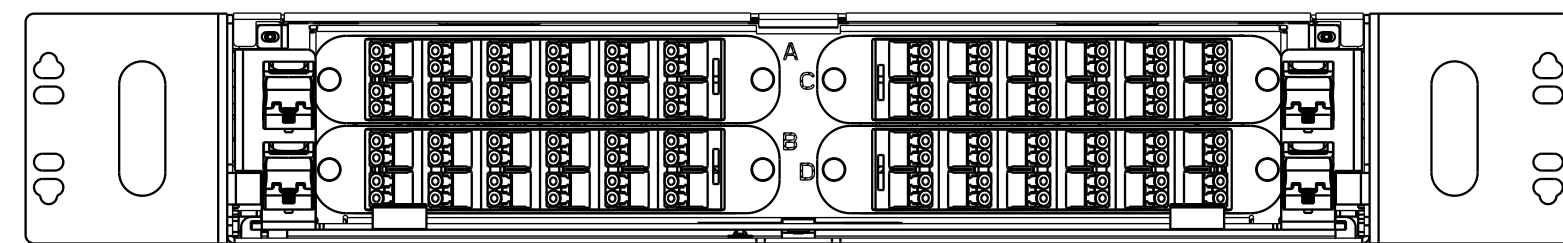
REV	MCO	DWN	DATE
C	40023779MCO	LASR	07-AUG-15
D	40023779MCO	SC	22-AUG-16



TOP VIEW

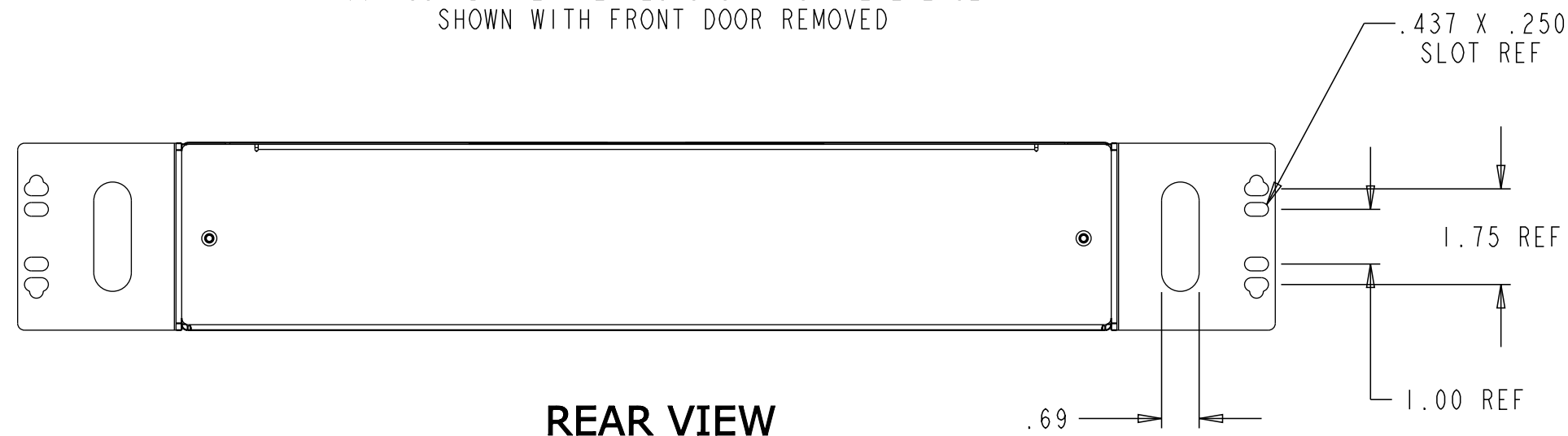


FRONT VIEW

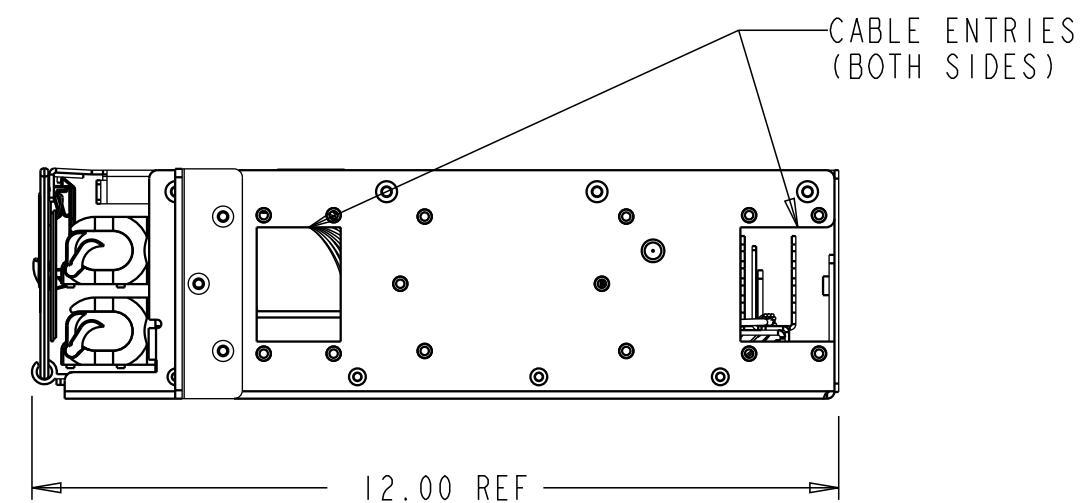
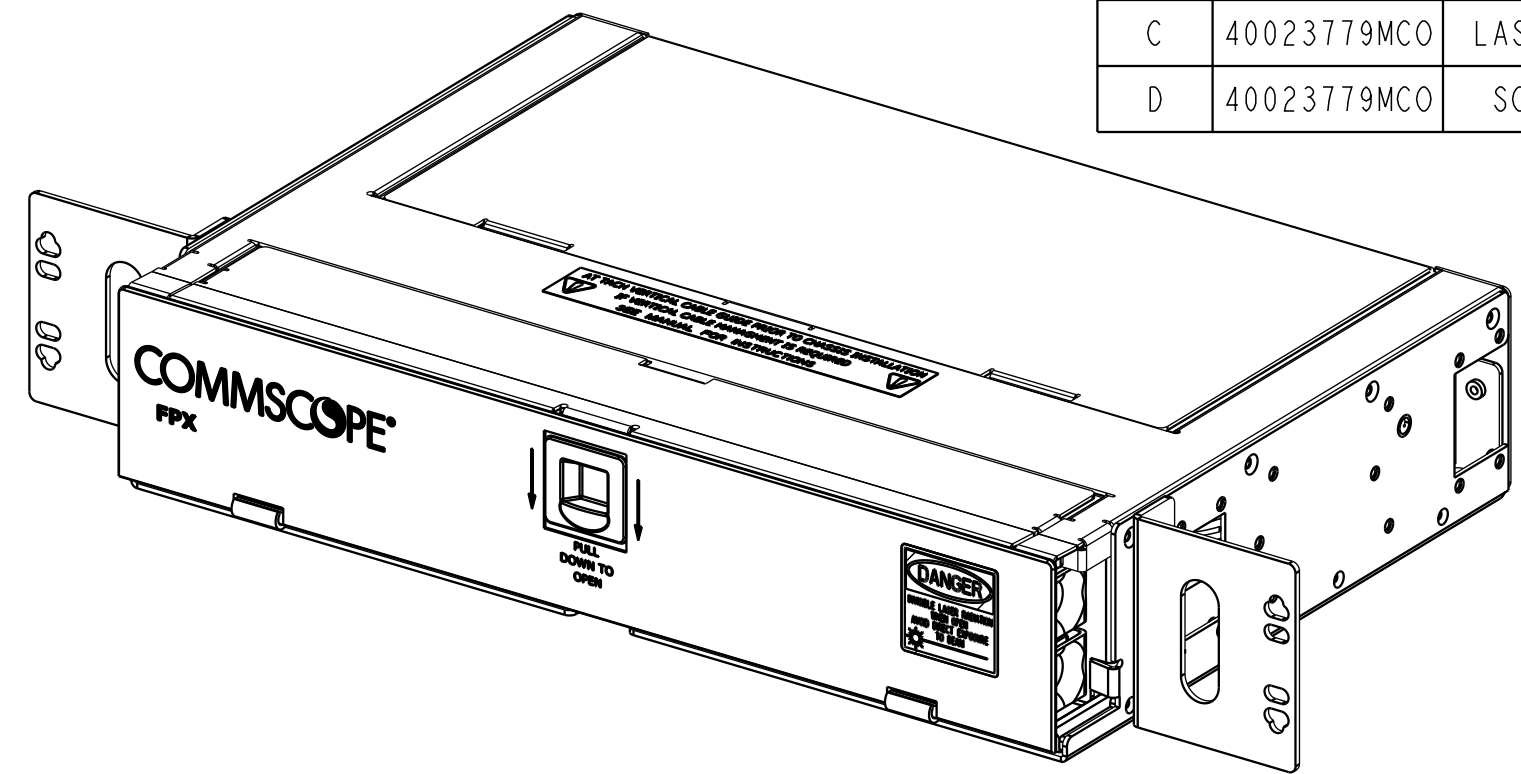


FRONT VIEW - 2RU WITH 23" MOUNTING BRACKETS

(96 POS ADAPTER PLATES SHOWN FOR REFERENCE)
SHOWN WITH FRONT DOOR REMOVED



REAR VIEW



RIGHT VIEW

PART LIST		
ITEM	DESCRIPTION	QTY
001	CLAMP YOKE	4
002	GROMMET, CABLE CLAMP .70	2
003	GROMMET, CABLE CLAMP .60	2
004	GROMMET, CABLE CLAMP .50	2
005	GROMMET, CABLE CLAMP .40	2
006	CLAMP COVER	2
007	CLAMP SCREW	4
008	SCREW 12-24X.5	4
009	#12 WASHER	4
010	WASHER	8
011	10-32 MACHINE SCREW	2
012	GROUND WASHER	2
013	6-32 SCREW	8
015	CLAMP YOKE	2
016	CABLE CLAMP COVER	1
017	SCREW 6-32X3/4	2
018	CABLE CLAMP BRACKET	1
019	SCREW 6-32, .250 POU	2
020	STANDOFF	2
021	WASHER FLAT 1/4 SS	2
022	NI25-00 1/4-20	2
023	GROUNDING TERMINAL	2
024	SPIRAL WRAP [5]	4FT
025	VCG	2
026	CABLE SHIELD	2
027	EDGE PROTECTOR	10
028	SHIELD MOUNTING BRACKET	2
029	6-32, .250 SCREW	4

NOTES:

- PANEL CAN BE MOUNTED AT 2", 5" OR 8" DEPTHS IN 19" OR 23" RACKS USING WECO OR EIA PATTERNS.
- REMOVE VERTICAL CABLE GUIDE FOR 2" RECESS MOUNT.
- CABLE CLAMP IS INCLUDED WITH CHASSIS (0.4 - 0.7) O.D.
- POLYCARBONATE FRONT DOOR.
- USE FOR CABLE RIBBON ENTRY.
- VCG SYSTEM CAN ONLY BE INSTALLED WHEN THE MOUNTING BRACKETS ARE ON 5" OR 8" POSITIONS.

COMMSCOPE, INC.

© 2016 COMMSCOPE, INC. CONFIDENTIAL NOTICE: THESE DRAWINGS AND SPECIFICATIONS ARE THE PROPRIETARY PROPERTY OF COMMSCOPE, INC. AND MAY BE USED ONLY FOR THE SPECIFIC PURPOSE AUTHORIZED IN WRITING BY COMMSCOPE, INC.		TITLE INSTALLATION DWG FPX 2RU AFA 12" DEPTH	
ALL DIMS AND TOLERANCES .XX:±N/A ARE INCHES UNLESS .XXX:±N/A OTHERWISE SPECIFIED ANGULAR:±N/A	C SIZE	DRAWING NUMBER 300100105893	D REV
DO NOT SCALE DRAWING	ENGR: HECTOR UREÑO DWN: ASAHIEL SALCEDO	SHT. 1 OF 3	

DIMENSIONS IN INCHES
THIRD ANGLE PROJECTION

A

B

C

D

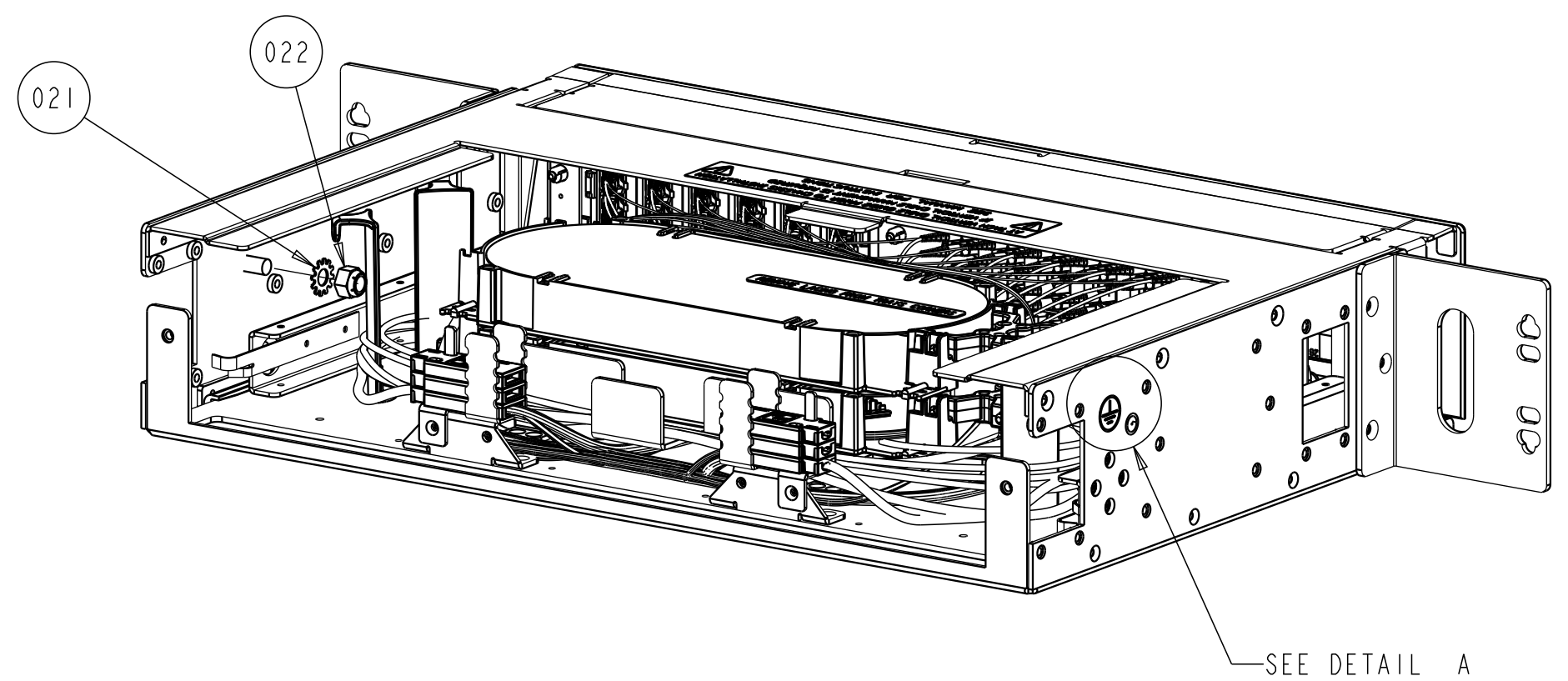
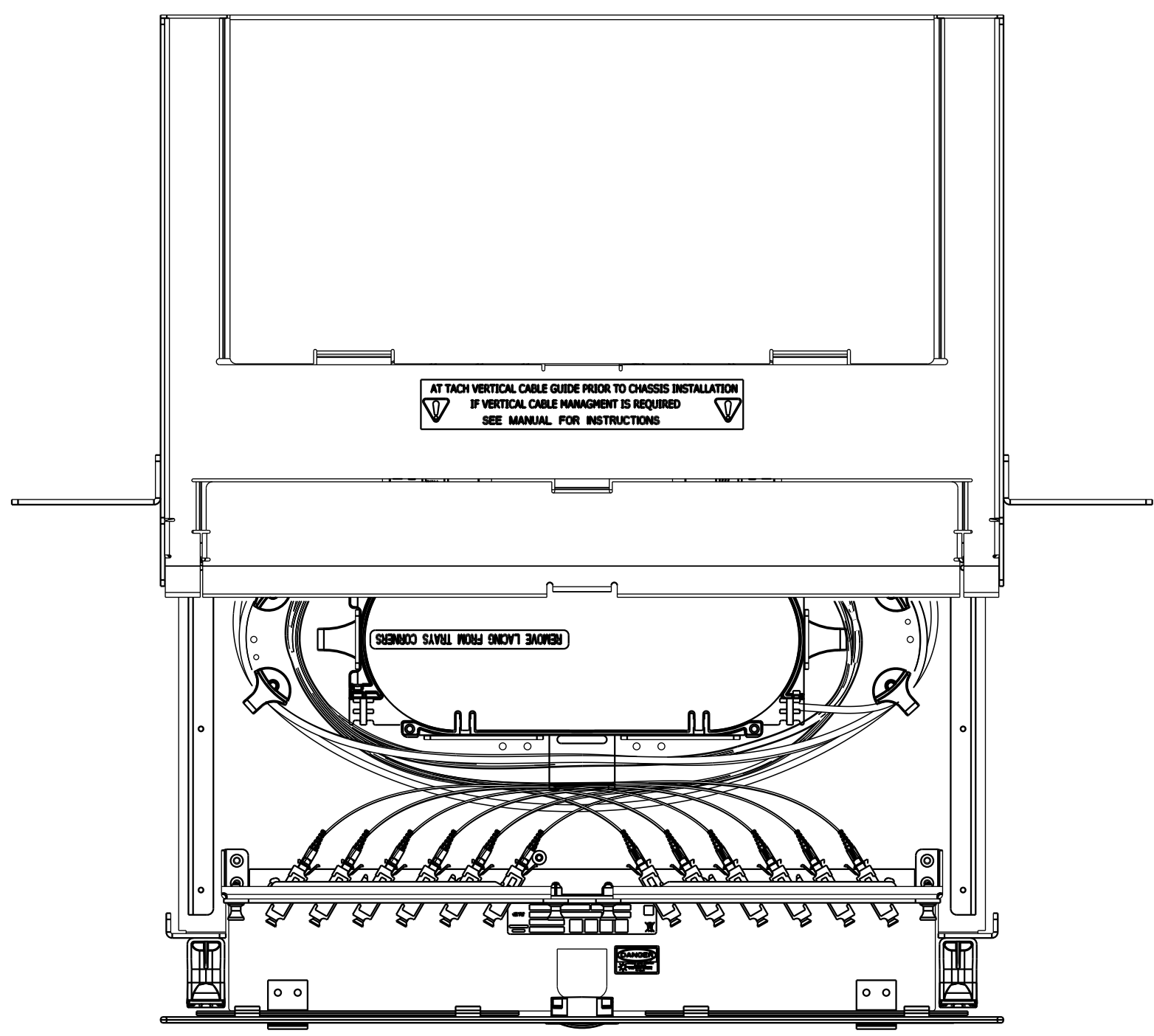
PANEL GROUNDING

EACH PANEL HAS A GROUNDING LOCATION MARKED WITH THE STANDARD GROUNDING SYMBOL. THIS LOCATION IS ON THE RIGHT SIDE OF THE PANEL AS SHOWN IN FPX 2RU PANEL DIAGRAM. USE THE TWO #10-32 GROUND SCREWS (ITEM 011) AND TWO #10 STAR WASHERS (ITEM 012) PROVIDED TO CONNECT A #6 COPPER GROUNDING CABLE TO THE PANEL. GROUND THE UNIT TO THE LOCAL FACILITY GROUND BUS PER LOCAL PRACTICE. A TWO-HOLE GROUNDING LUG IS SHOWN IN FIGURE FOR REFERENCE.

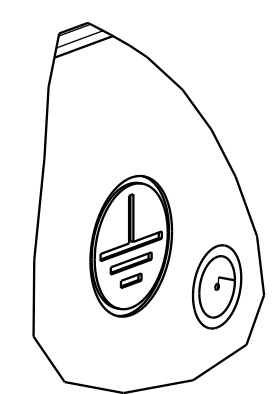
ALL PANEL IS BUILDING WITH SCREWS THREAD-FORMING WITH NIBS IN ORDER TO CUT THE PAINT AND GROUND ALL WALLS OF PANEL.

NOTES:

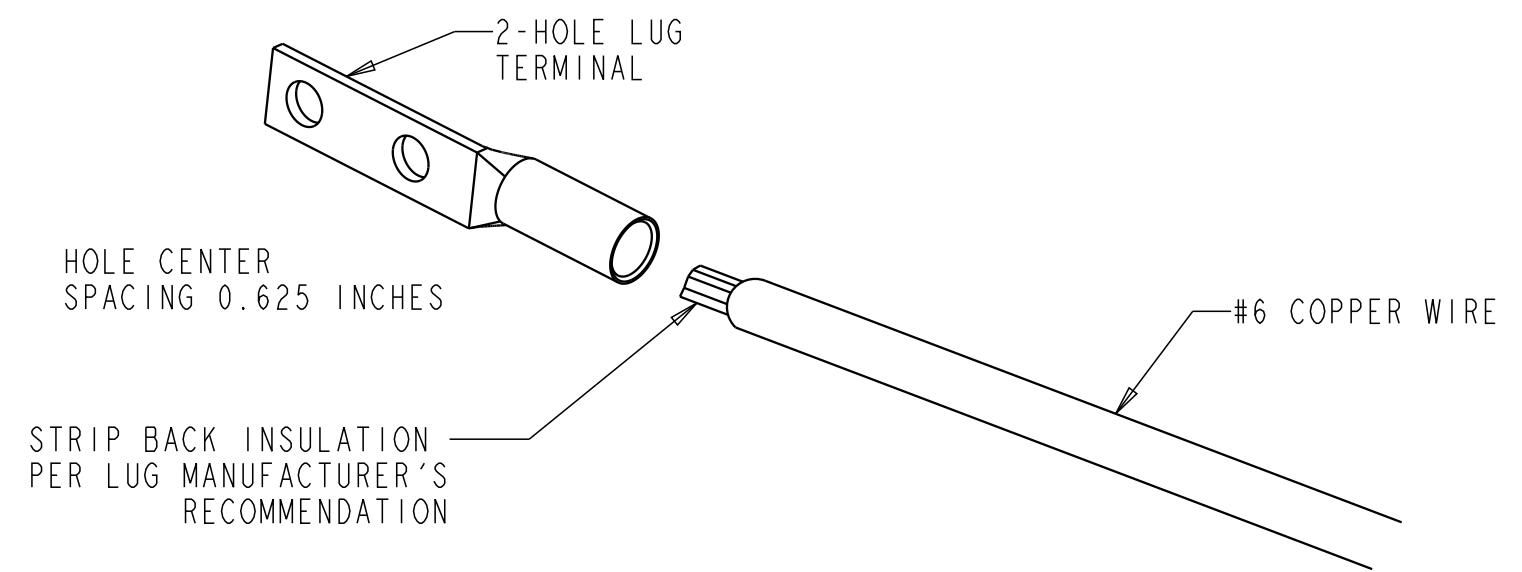
1. GROUND THE UNIT TO THE LOCAL FACILITY CBN (COMMON BONDING NETWORK) OR IBN (ISOLATED BONDING NETWORK) PER LOCAL PRACTICE.
2. GROUND SCREWS ARE TO BE TORQUED AT 40 IN-LIB
3. THE FIBER PANEL NEXT GENERATION IS DESIGNED TO BE INSTALLED IN AN ENVIRONMENTALLY CONTROLLED NETWORK TELECOMMUNICATIONS FACILITY SUCH AS A CENTRAL OFFICE, CONTROLLED ENVIRONMENTAL VAULT, OR DATA CENTER.



ISO REAR VIEW
SHOWN WITH COVERS REMOVED



DETAIL A
SCALE 1.300
GROUNDING LOCATION

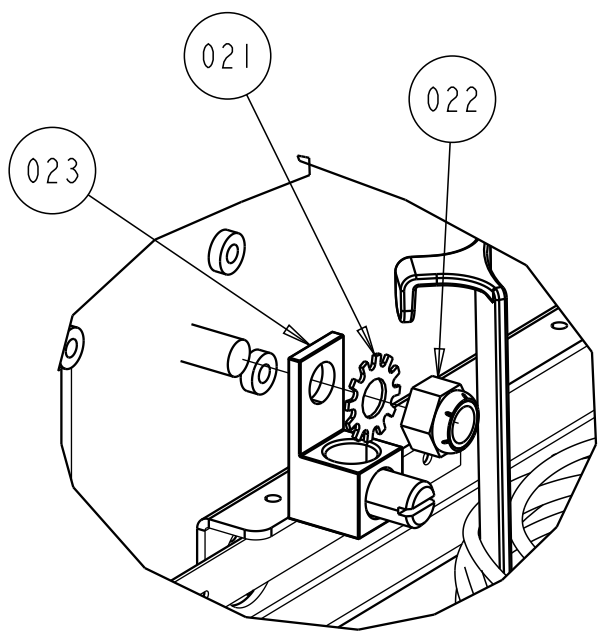
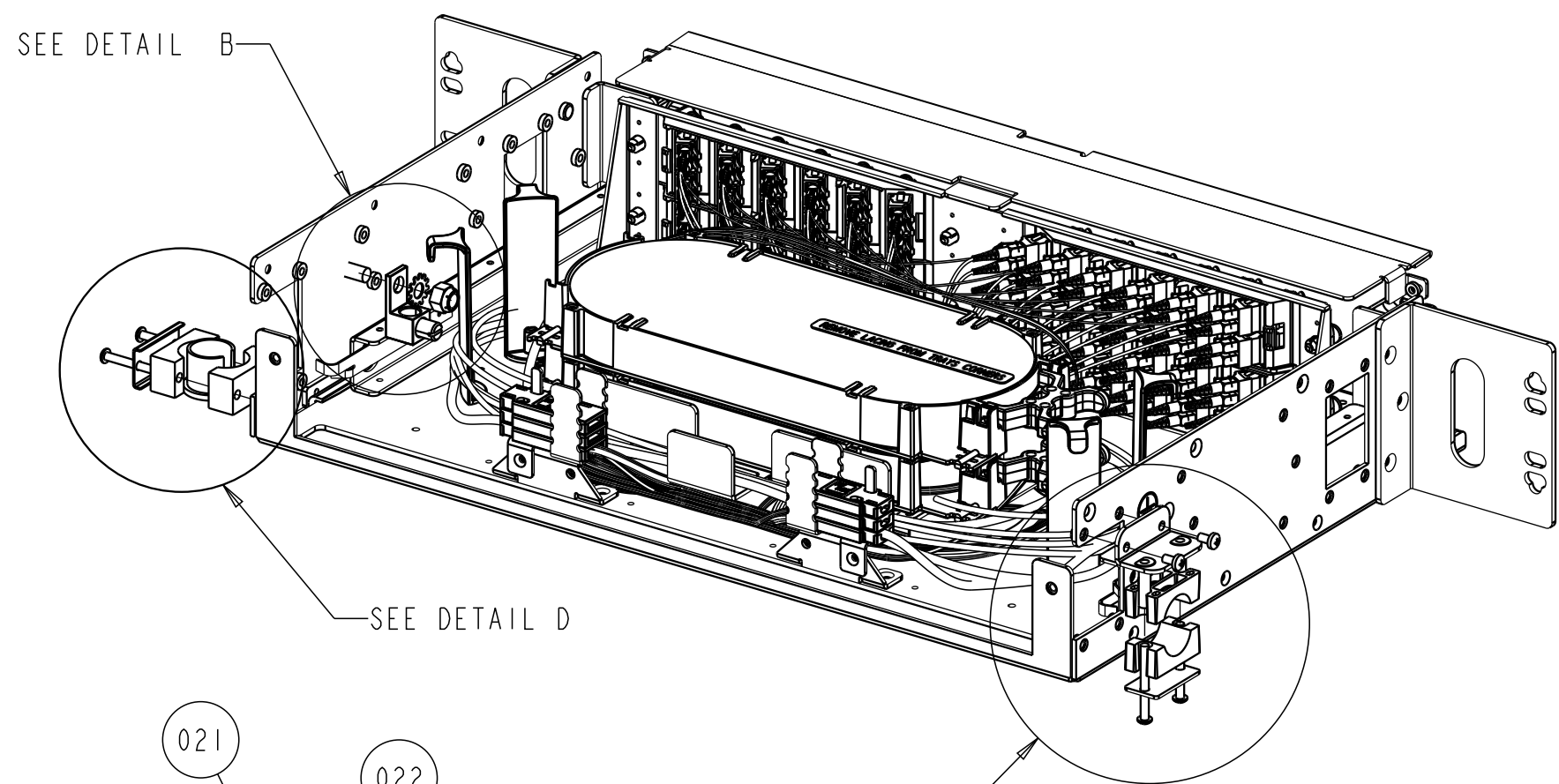


GROUND CABLE AND 2-HOLE LUG TERMINAL

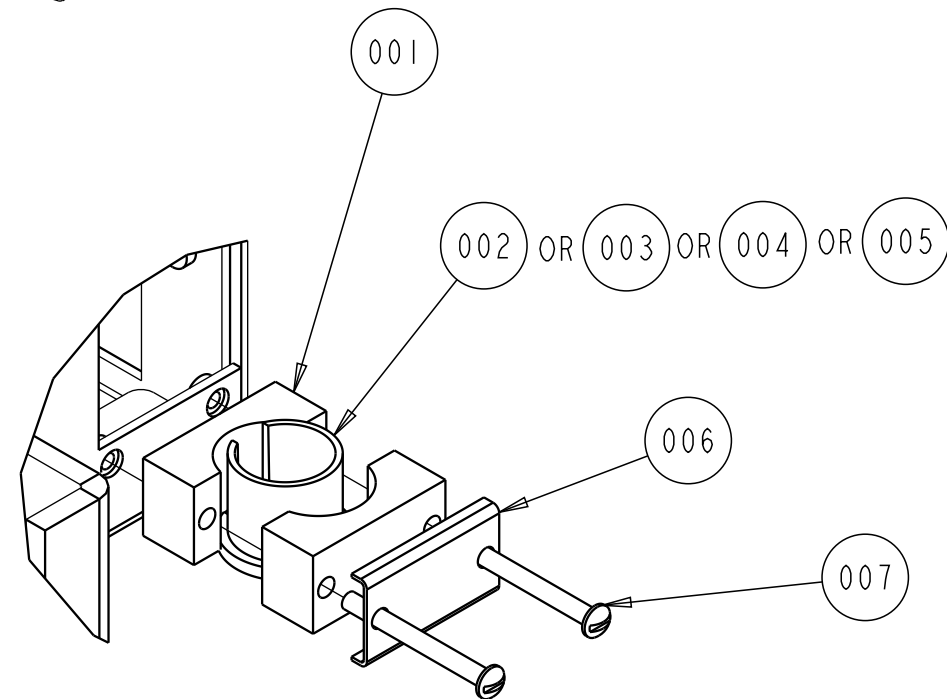
COMMSCOPE, INC.

© 2016 COMMSCOPE, INC. CONFIDENTIAL NOTICE: THESE DRAWINGS AND SPECIFICATIONS ARE THE PROPRIETARY PROPERTY OF COMMSCOPE, INC. AND MAY BE USED ONLY FOR THE SPECIFIC PURPOSE AUTHORIZED IN WRITING BY COMMSCOPE, INC.		TITLE INSTALLATION DWG FPX 2RU AFA 12" DEPTH	
ALL DIMS AND TOLERANCES .XX:±N/A ARE INCHES UNLESS .XXX:±N/A OTHERWISE SPECIFIED ANGULAR:±N/A	C SIZE	DRAWING NUMBER 300100105893	D REV
DO NOT SCALE DRAWING	ENGR: HECTOR UREÑO DWN: ASAHIEL SALCEDO	SHT. 2 OF 3	

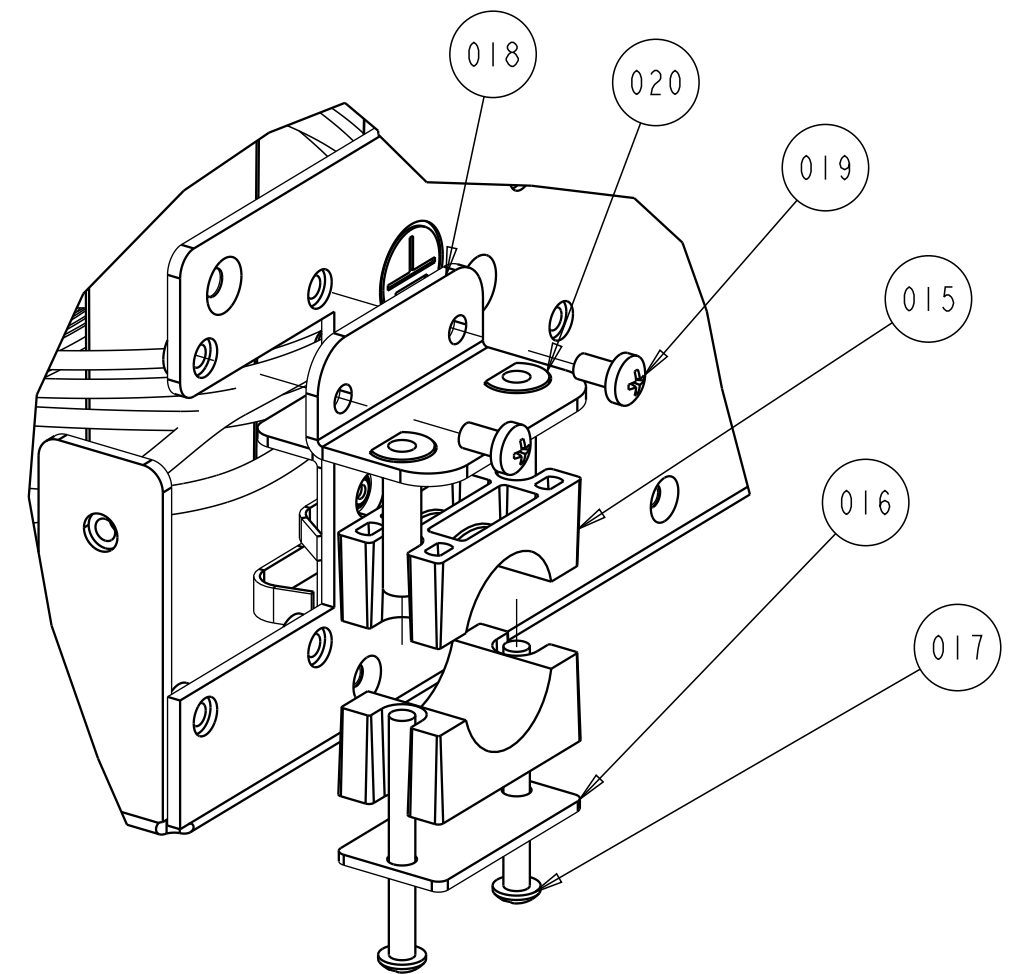
**DIMENSIONS IN INCHES
THIRD ANGLE PROJECTION**



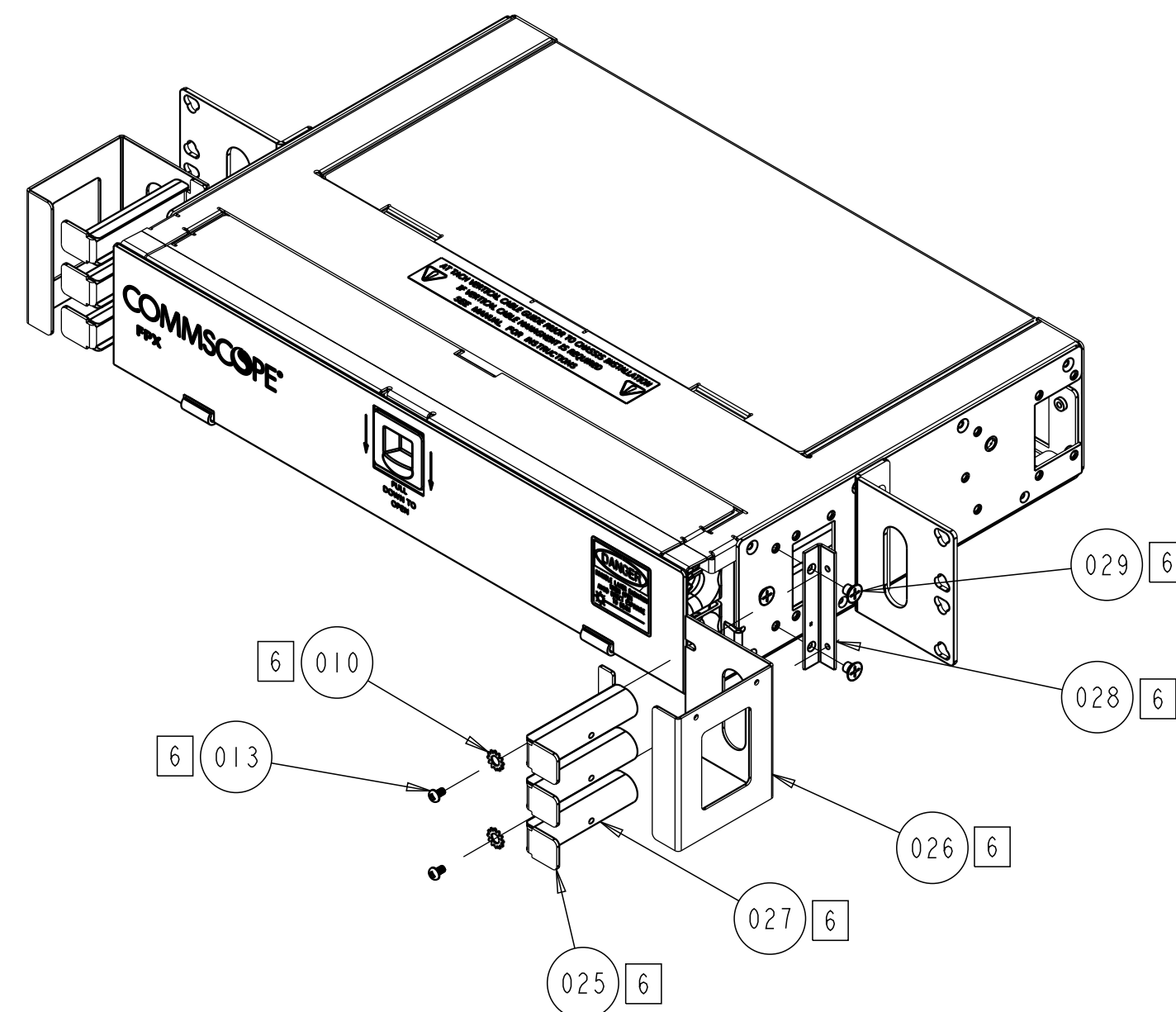
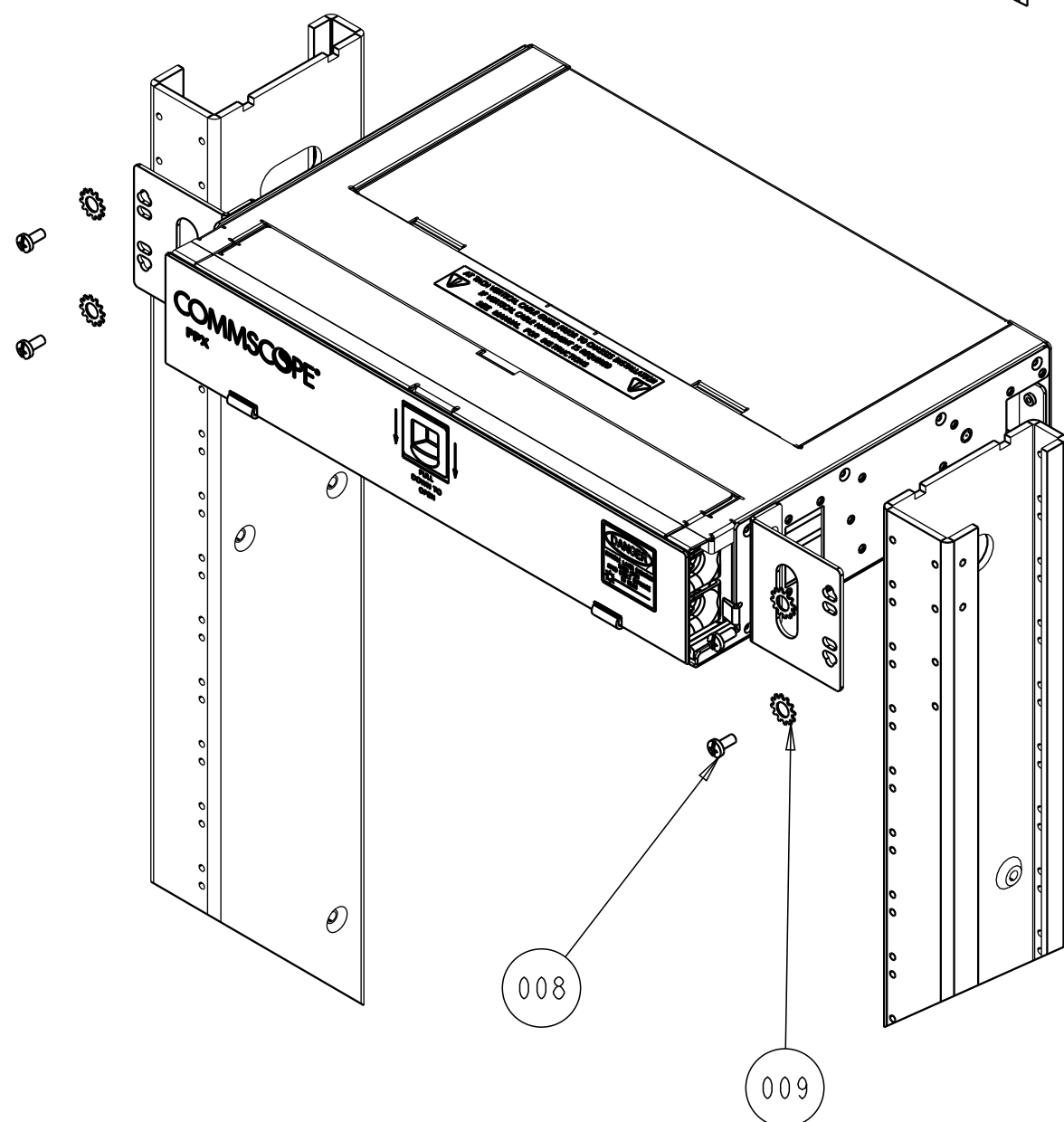
DETAIL B
SCALE 0.800



DETAIL D
SCALE .750



DETAIL C
SCALE 1.000



COMMSCOPE, INC.

<small>© 2016 COMMSCOPE, INC. CONFIDENTIAL NOTICE: THESE DRAWINGS AND SPECIFICATIONS ARE THE PROPRIETARY PROPERTY OF COMMSCOPE, INC. AND MAY BE USED ONLY FOR THE SPECIFIC PURPOSE AUTHORIZED IN WRITING BY COMMSCOPE, INC.</small>		TITLE INSTALLATION DWG FPX 2RU AFA 12" DEPTH	
<small>ALL DIMS AND TOLERANCES ARE INCHES UNLESS OTHERWISE SPECIFIED</small>	<small>.XX:±N/A .XXX:±N/A ANGULAR:±N/A</small>	C SIZE	DRAWING NUMBER 300100105893
DO NOT SCALE DRAWING		ENGR: HECTOR UREÑO DWN: ASAHIEL SALCEDO	D REV SHT. 3 OF 3

DIMENSIONS IN INCHES
THIRD ANGLE PROJECTION