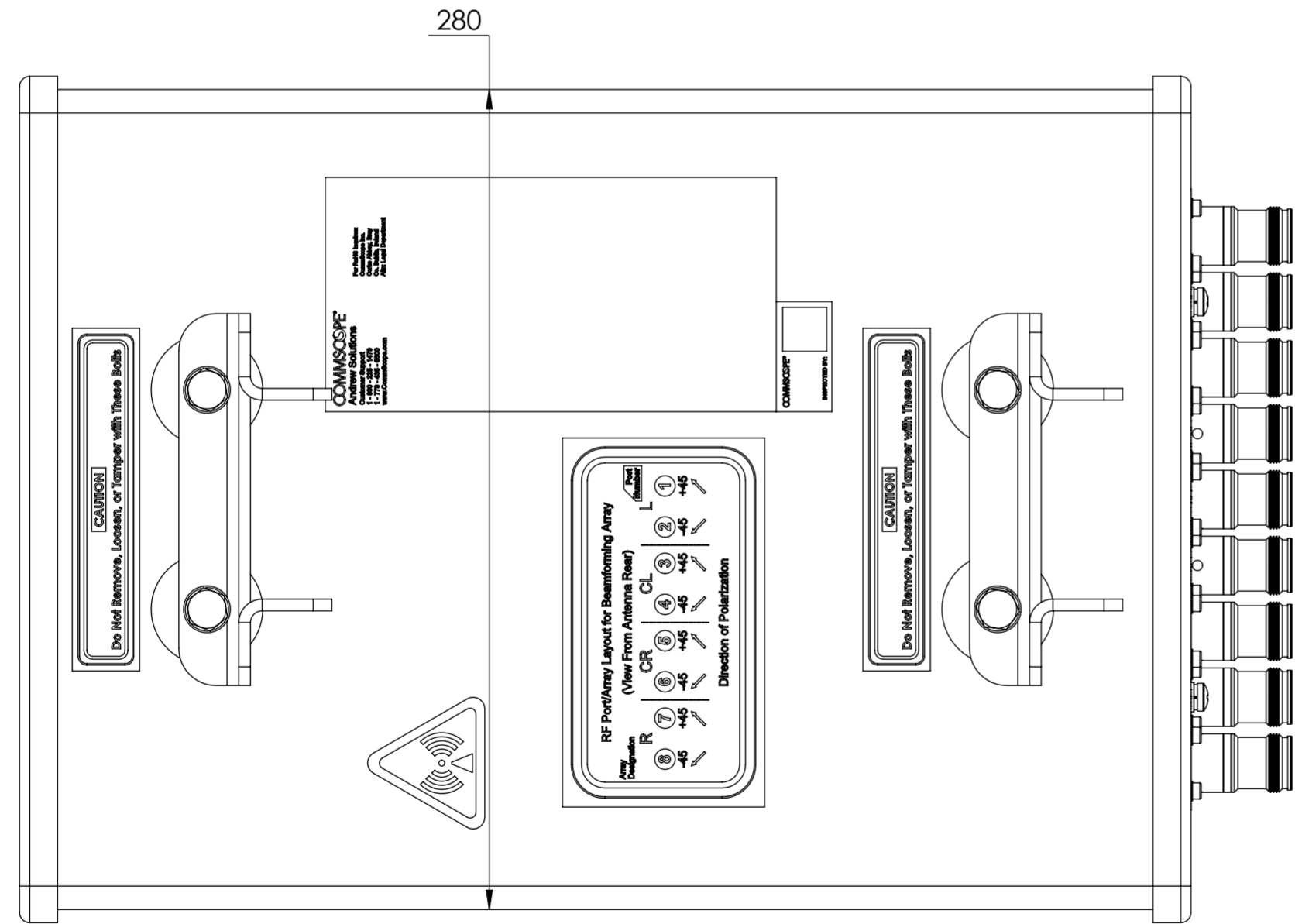
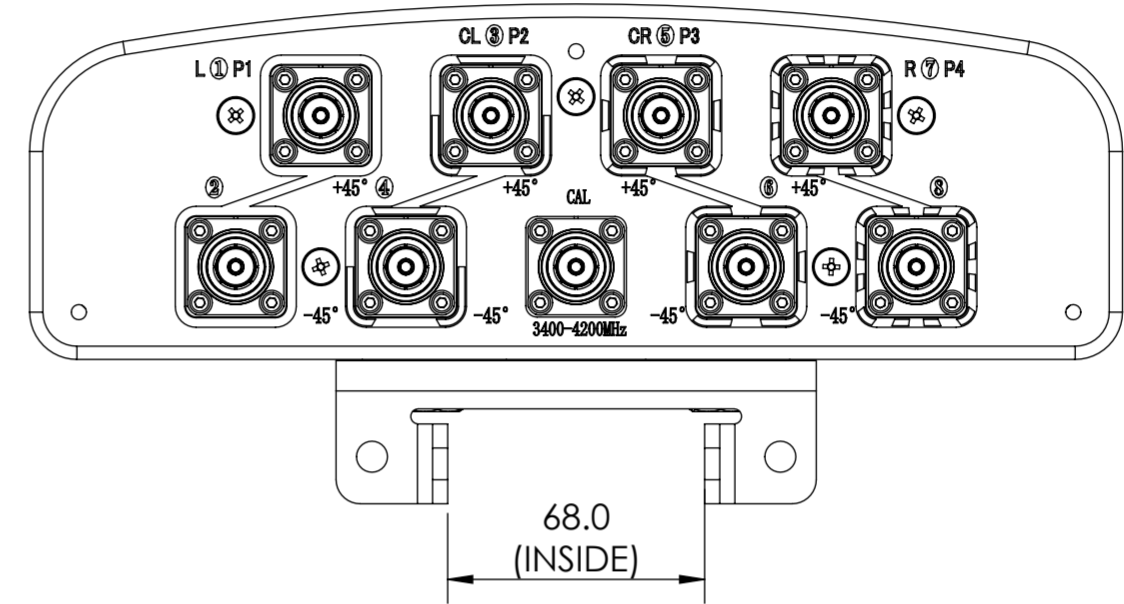
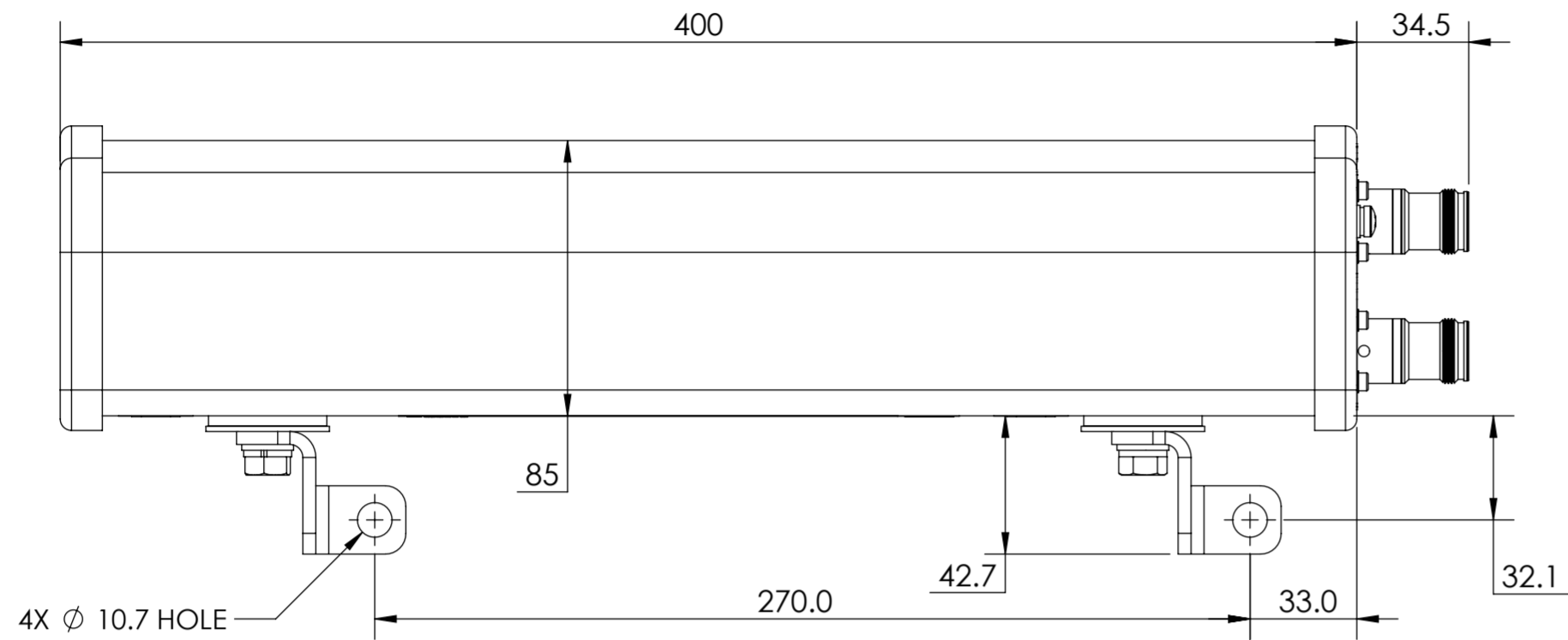


REVISIONS			
REV.	DESCRIPTION	DATE	APPROVED
A	ECR 8000040788: RELEASE TO PRODUCTION PER EAO 607542.	15MAY20 ZZH	YXW/XC
B	ECR 8000040788: UPDATE DRAWING.	25MAY20 ZY	YXW/XC
C	ECR 8000042970: UPDATE DRAWING.	22SEP20 ZZH	YXW/XC
D	ECR 8000043595: UPDATE DRAWING.	28OCT20 ZZH	YXW/XC



S4-90T-F-V2

**COMMSCOPE, INC. OF NORTH CAROLINA**

TOLERANCES		SAP MATERIAL MASTER									
0 PLACE	X ±	2 PLACE	.XX ±								
1 PLACE	.X ±	ANGLES	±								
FINISH		MATERIAL									
<small>UNLESS OTHERWISE SPECIFIED DIMENSIONS ARE IN MILLIMETERS INTERPRET PER ISO STANDARDS HANDBOOK TECHNICAL DRAWINGS VOLUMES 1 &amp; 2, THIRD EDITION (2002)</small>		NAME	DATE								
		CE ZZH	15MAY20								
		RW ZZ1029	10/28/2020								
		RV XY1021	10/28/2020								
		AD CX1012	10/28/2020								
RE XIAOWANG	10/29/2020	TITLE									
ECN 8000043595-O		<b>PRODUCT DRAWING</b>									
SCALE		DOCUMENT NO.									
1:2		S4-90T-F-V2-L									
SIZE	WORK AREA	MODEL									
A2	23	VERSION	STATUS								
		01	RE								
		DRAWING									
<table border="1" style="width: 100%;"> <tr> <td>REVISION</td> <td>VERSION</td> <td>STATUS</td> <td>REVISION</td> </tr> <tr> <td>B</td> <td>03</td> <td>RE</td> <td>D</td> </tr> </table>		REVISION	VERSION	STATUS	REVISION	B	03	RE	D	SHEET	
		REVISION	VERSION	STATUS	REVISION						
B	03	RE	D								
		1 OF 1									