

WB-K410-S



Safety Grated Waveguide Bridge Kit, 24 in x 10 ft, with four 10 ft 6 in base shoe posts

Product Classification

Product Type Waveguide bridge kit

General Specifications

Application Base shoe

Cable Runs, quantity 24

Pipe, quantity 4

Dimensions

Height 3,200.4 mm | 126 in

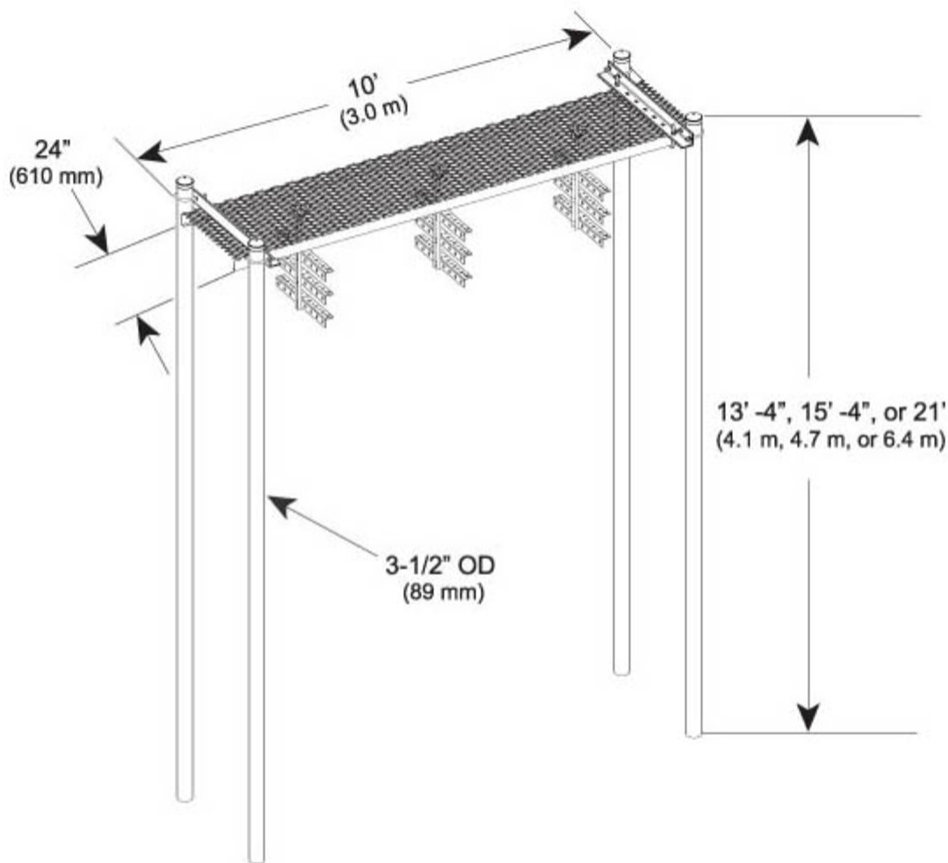
Width 609.6 mm | 24 in

Length 3048 mm | 120 in

Pipe Length 3,200.4 mm | 126 in

WB-K410-S

Outline Drawing



Material Specifications

Material Type Hot dip galvanized steel

Packaging and Weights

Included Caps | Channel | Hardware | Posts | Support brackets | Trapeze

Packaging quantity 1

Weight, net 254 kg | 559.973 lb

Regulatory Compliance/Certifications

Agency

CHINA-ROHS

ISO 9001:2015

Classification

Above maximum concentration value

Designed, manufactured and/or distributed under this quality management system

WB-K410-S

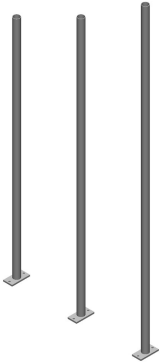
ROHS Compliant/Exempted
UK-ROHS Compliant



Included Products

- MF-126 – Base Shoe Pipe Column, 10 ft 6 in
- WB-CS24-3 – Safety Grated Channel Support, 24 in wide for 3-1/2 in OD pipe
- WB-CY210 – Safety Grated Waveguide Bridge Channel, 24 in x 10 ft
- WB-T24-3 – Trapeze Kit, triple tee, 24 in wide, three rungs

MF-126



Base Shoe Pipe Column, 10 ft 6 in

Product Classification

Product Type Pipe column

General Specifications

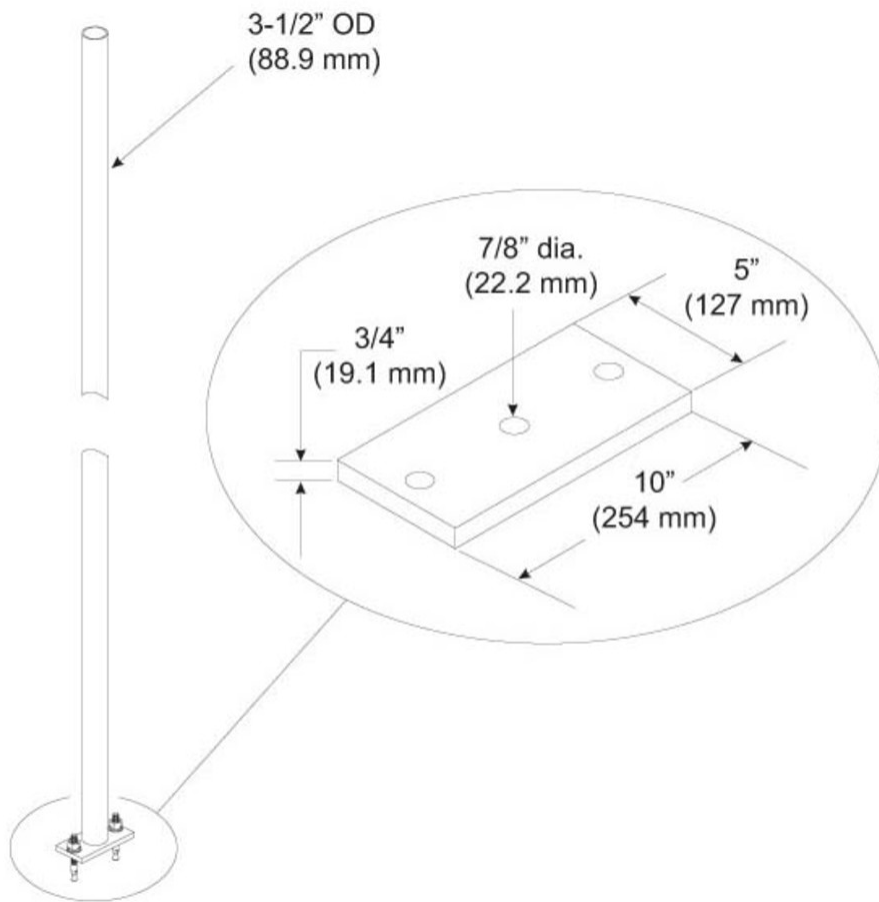
Application Base shoe
Mounting Waveguide bridge support bracket
Pipe, quantity 1

Dimensions

Height 3,200.4 mm | 126 in
Width 127 mm | 5 in
Length 254 mm | 10 in
Pipe Length 3,200.4 mm | 126 in
Pipe Outer Diameter 88.9 mm | 3.5 in

MF-126

Outline Drawing



Material Specifications

Material Type Hot dip galvanized steel

Packaging and Weights

Included Anchors | Pipe

Packaging quantity 1

Weight, net 41.7 kg | 91.933 lb

Regulatory Compliance/Certifications

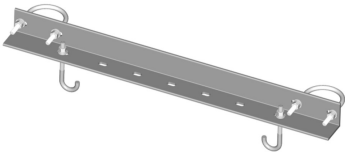
Agency **Classification**

MF-126

CHINA-ROHS	Above maximum concentration value
ISO 9001:2015	Designed, manufactured and/or distributed under this quality management system
ROHS	Compliant/Exempted
UK-ROHS	Compliant



WB-CS24-3



Safety Grated Channel Support, 24 in wide for 3-1/2 in OD pipe

Product Classification

Product Type Support bracket

General Specifications

Application Waveguide bridge kit, 24 in

Mounting Pipe, 88.9 mm (3-1/2 in) OD

Dimensions

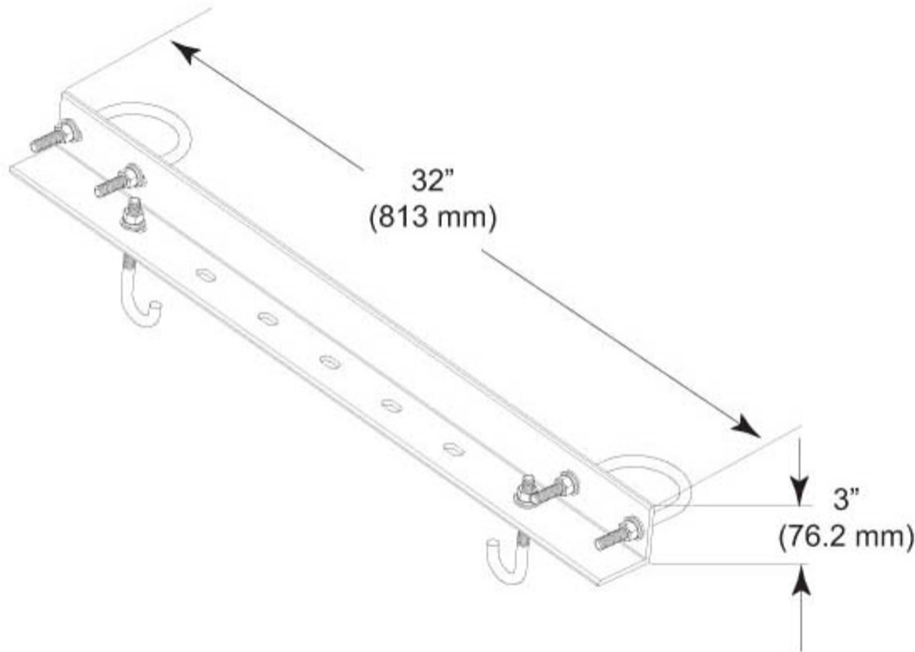
Height 101.6 mm | 4 in

Width 812.8 mm | 32 in

Length 101.6 mm | 4 in

WB-CS24-3

Outline Drawing



Material Specifications

Material Type Hot dip galvanized steel

Packaging and Weights

Included Channel support bracket | Hardware

Packaging quantity 1

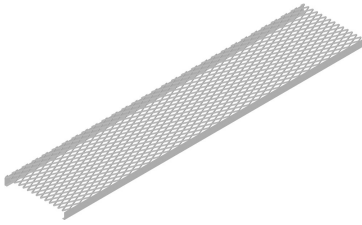
Weight, net 8.2 kg | 18.078 lb

Regulatory Compliance/Certifications

Agency	Classification
CHINA-ROHS	Below maximum concentration value
ISO 9001:2015	Designed, manufactured and/or distributed under this quality management system
REACH-SVHC	Compliant as per SVHC revision on www.commscope.com/ProductCompliance
ROHS	Compliant
UK-ROHS	Compliant



WB-CY210



Safety Grated Waveguide Bridge Channel, 24 in x 10 ft

Product Classification

Product Type Waveguide bridge channel

General Specifications

Application Waveguide bridge kit, 24 in

Dimensions

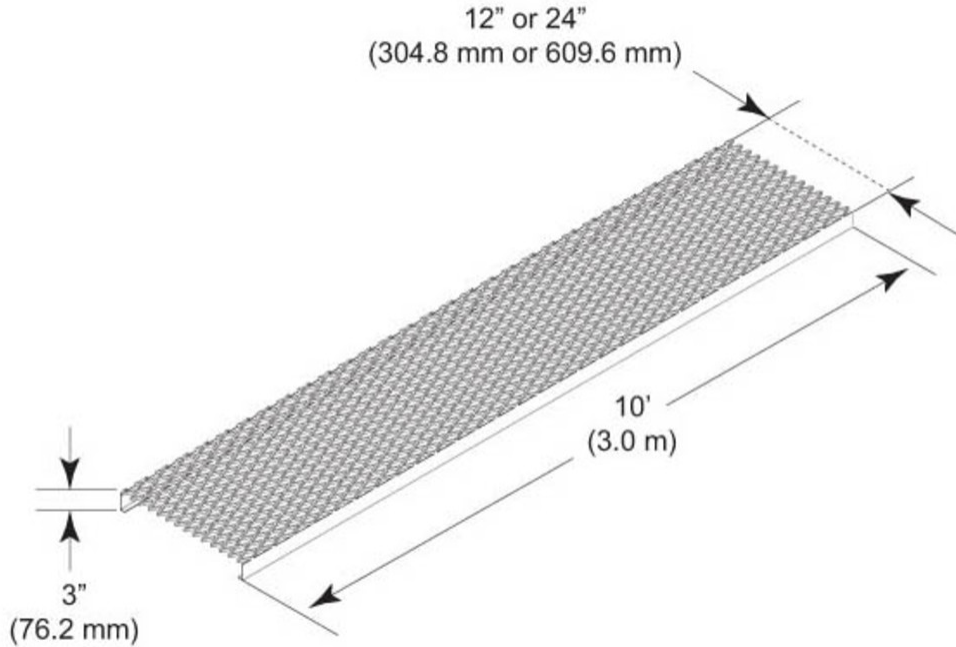
Height 76.2 mm | 3 in

Width 609.6 mm | 24 in

Length 3048 mm | 120 in

WB-CY210

Outline Drawing



Material Specifications

Material Type Hot dip galvanized steel

Packaging and Weights

Included Bridge channel

Packaging quantity 1

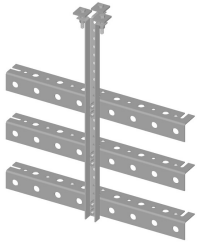
Weight, net 50.4 kg | 111.113 lb

Regulatory Compliance/Certifications

Agency	Classification
CHINA-ROHS	Above maximum concentration value
ISO 9001:2015	Designed, manufactured and/or distributed under this quality management system
ROHS	Compliant/Exempted
UK-ROHS	Compliant



WB-T24-3



Trapeze Kit, triple tee, 24 in wide, three rungs

Product Classification

Product Type Trapeze kit

General Specifications

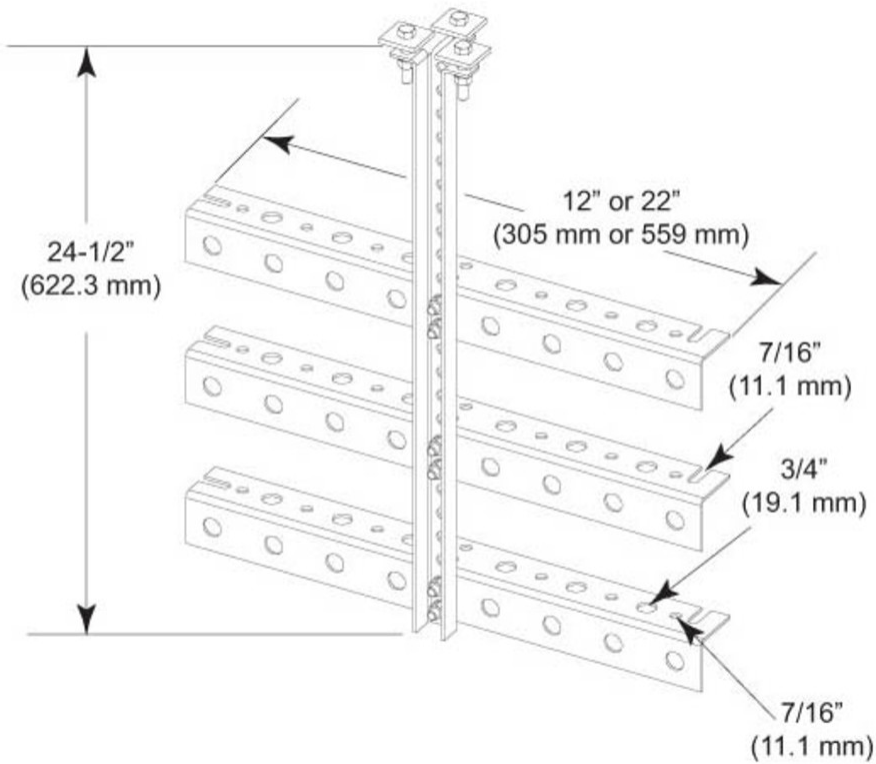
Application Waveguide bridge kit, 24 in
Cable Runs, quantity 24
Hole, quantity 24
Mounting Waveguide bridge channel
Rungs, quantity 3

Dimensions

Height 76.2 mm | 3 in
Width 609.6 mm | 24 in
Length 635 mm | 25 in
Hole Size 3/4 in | 7/16 in

WB-T24-3

Outline Drawing



Material Specifications

Material Type Hot dip galvanized steel

Packaging and Weights

Included Angle brackets | Mounting hardware

Packaging quantity 1

Weight, net 5.9 kg | 13.007 lb

Regulatory Compliance/Certifications

Agency

ISO 9001:2015

Classification

Designed, manufactured and/or distributed under this quality management system

