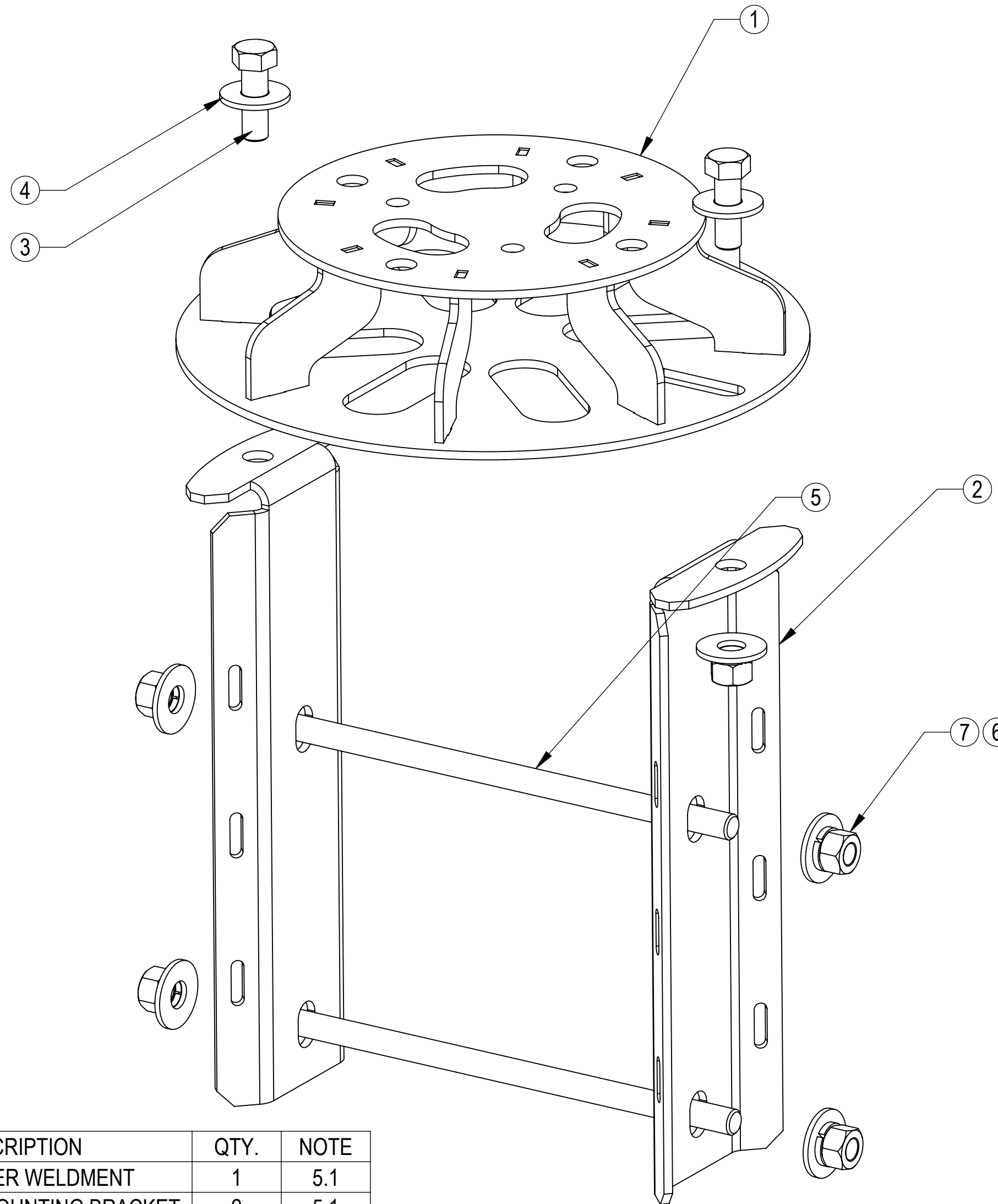


- 1. GENERAL NOTES
- 2. DESIGN NOTES
- 3. MANUFACTURING/SPECIAL REQUIREMENTS
  - 3.1 SHEET 2 IS CUSTOMER ASSEMBLY INSTRUCTIONS
- 4. TEST
- 5. PACKAGING
  - 5.1 WRAP THE UNIT IN PROTECTIVE FOAM WRAP BEFORE PACKAGING
  - 5.2 PACKAGE IN POLYBAG AND PLACE INSIDE THE UNIT FOR SHIPPING
  - 5.3 PRINTED DOCUMENT TO BE INCLUDED IN THE PACKAGE

REVISIONS				
REV.	ECN	DESCRIPTION	BY	DATE
A	8000036879	INITIAL RELEASE	JP1130	08/15/2019
B	8000037494	-1100 AND -1201 DESIGN UPDATED	JP1130	9/23/2019



ITEM NO.	PART NUMBER	DESCRIPTION	QTY.	NOTE
1	MTM1089-1100	PT ADAPTER WELDMENT	1	5.1
2	MTM1089-1201	PT ADAPTER MOUNTING BRACKET	2	5.1
3	GB-0622A	3/4" X 2-1/4" GALV BOLT KIT (A325)	2	5.2
4	GWF-06	3/4" GALV FLAT WASHER	8	5.2
5	MT38416	3/4" X 16" GALV THREADED ROD	2	
6	GWL-06	3/4" GALV LOCK WASHER	4	5.2
7	GN-06	3/4" GALV HEX NUT	4	5.2
8	860636779-CP	REFERENCE DOCUMENT	1	5.3

DENSITY		lbs/in <sup>3</sup>
MASS	51.41	lbs
VOLUME	182.45	in <sup>3</sup>
SURFACE AREA		in <sup>2</sup>
HEIGHT		
LENGTH		
WIDTH		

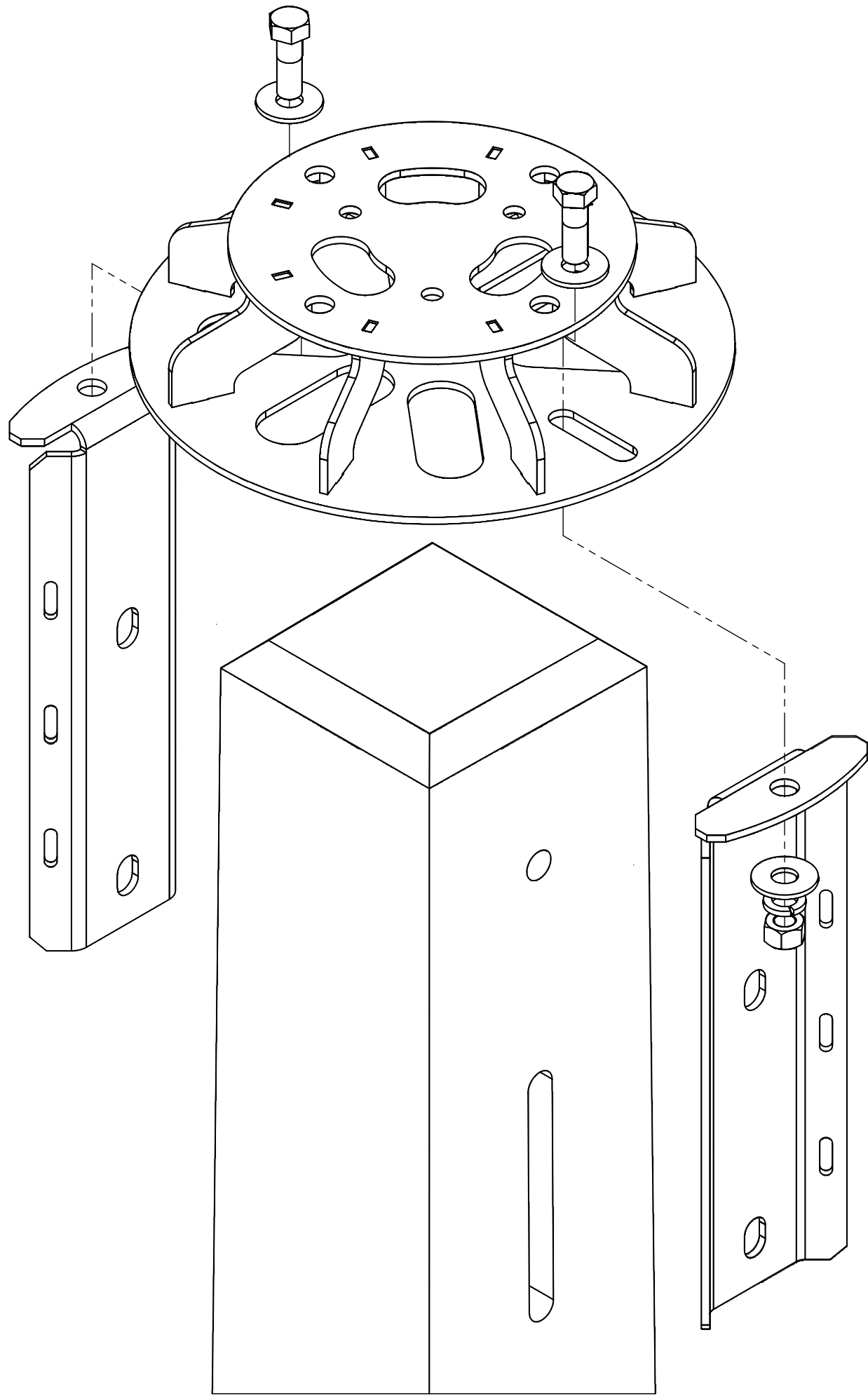
<b>COMMSCOPE, INC. OF NORTH CAROLINA</b>			
TOLERANCES		SAP MATERIAL MASTER	
1 PLACE .X± N/A	3 PLACE .XXX± N/A	<b>860636779-CP</b>	
2 PLACE .XX± N/A	ANGLES ± N/A		
FINISH N/A		MATERIAL SEE BOM	
UNLESS OTHERWISE SPECIFIED DIMENSIONS ARE IN INCHES INTERPRET PER ANSI Y 14.5M-1994	NAME	DATE	TITLE
	CE JP1130	08/15/2019	<b>PT CONCRETE POLE ADAPTER</b>
	RW JP1130	09/27/2019	
	RV		
	AD GR1010	09/27/2019	
RE JP1130	09/27/2019		
ECN 008000037494	SCALE <b>1:3</b>	DOCUMENT NO. <b>860636779-CP</b>	
SIZE <b>C</b>	WORK AREA 24	MODEL	
		VERSION 01	DRAWING
		STATUS RE	REVISION B
		VERSION 01	STATUS RE
		REVISION B	REVISION B
			SHEET 1 OF 2

4

3

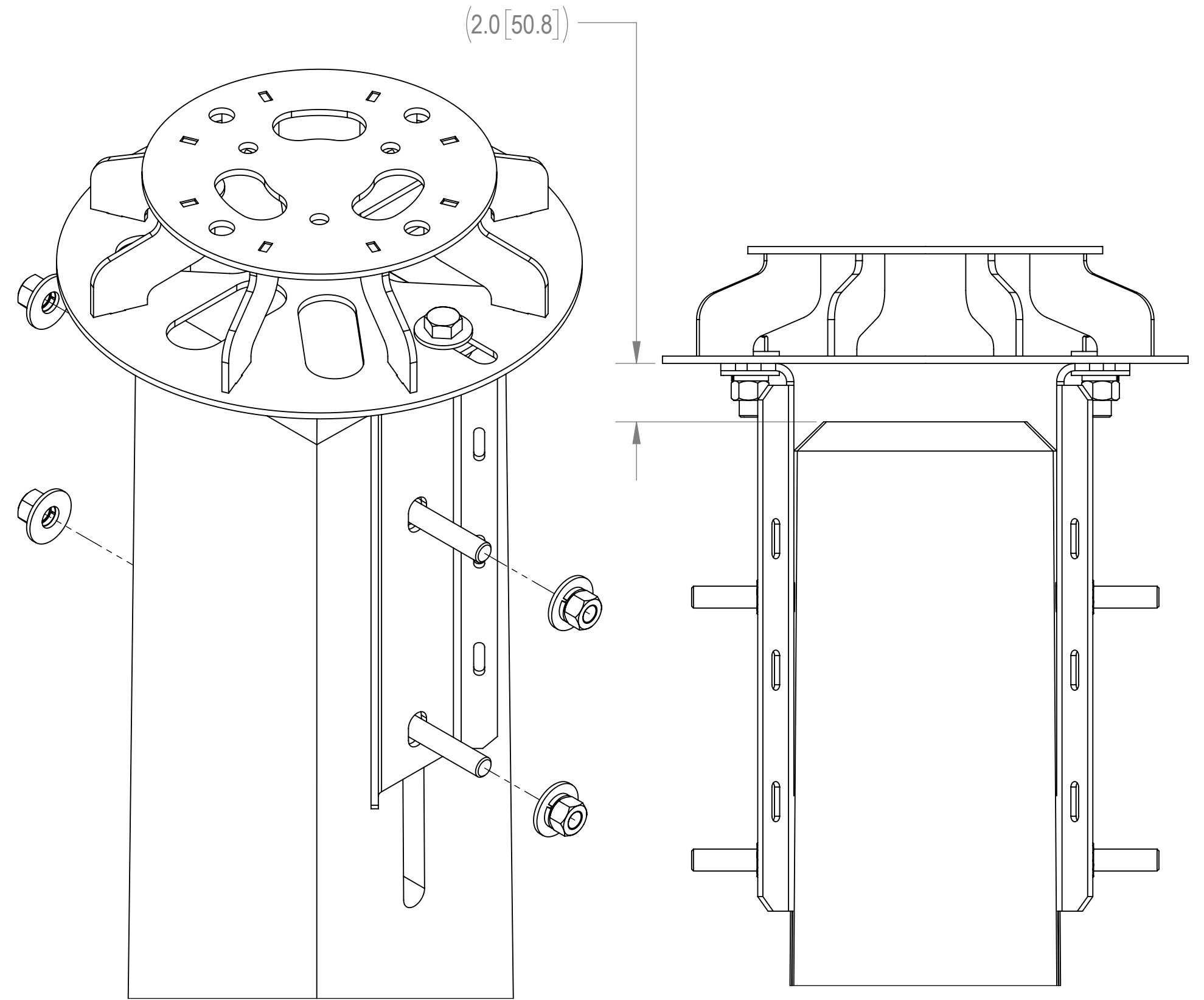
2

1



**STEP 1**

ASSEMBLE THE PT ADAPTER MOUNTING BRACKETS AND PT ADAPTER WELDMENT USING 2 SETS OF 3/4" BOLT, FLAT WASHER, LOCK WASHER AND NUT.



**STEP 2**

INSTALL THE SUB-ASSEMBLY FROM STEP 1 TO THE POLE USING 2 SETS OF 3/4" THREADED ROD, FLAT WASHER, LOCK WASHER AND NUT.

COMMSCOPE, INC. OF NORTH CAROLINA				
TITLE PT CONCRETE POLE ADAPTER				
SIZE <b>C</b>	SCALE <b>1:48</b>	DOCUMENT NO. 860636779-CP		
		DRAWING		SHEET
		VERSION	STATUS	REVISION
		01	RE	B
				SHEET 2 OF 2

4

3

2

1