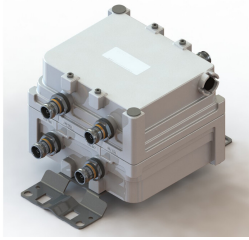


# E14F06P54

---



Twin Diplexer, 703-788 MHz/796-847 MHz, DC SMART bypass, with 4.3-10 connectors

- New 4.3-10 connectors for improved PIM performance and size reduction
- Minimal Insertion Loss
- DC/AISG SMART bypass functionality

## Product Classification

**Product Type** Diplexer

## General Specifications

**Color** Gray

**Modularity** 2-Twin

**Mounting** Pole | Wall

**Mounting Pipe Hardware** Band clamps (2)

**RF Connector Interface** 4.3-10 Female

**RF Connector Interface Body Style** Long neck

## Dimensions

**Height** 138 mm | 5.433 in

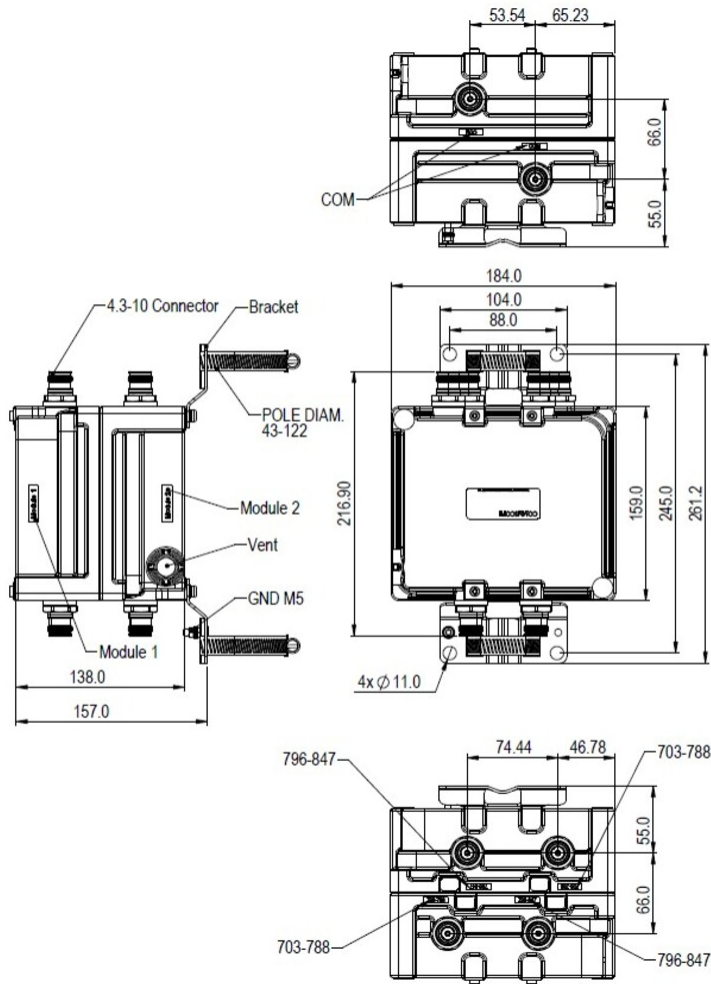
**Width** 184 mm | 7.244 in

**Depth** 159 mm | 6.26 in

**Mounting Pipe Diameter Range** 43–122 mm

## Outline Drawing

# E14F06P54



## Electrical Specifications

**Impedance** 50 ohm

## Electrical Specifications, dc Power/Alarm

- dc/AISG Pass-through Method** Auto sensing
- dc/AISG Pass-through, combiner** dc Smart Bypass
- dc/AISG Pass-through, demultiplexer** dc Smart Bypass
- Lightning Surge Current** 10 kA
- Lightning Surge Current Waveform** 8/20 waveform

## Electrical Specifications, AISG

**AISG Carrier** 2176 KHz ± 100 ppm

# E14F06P54

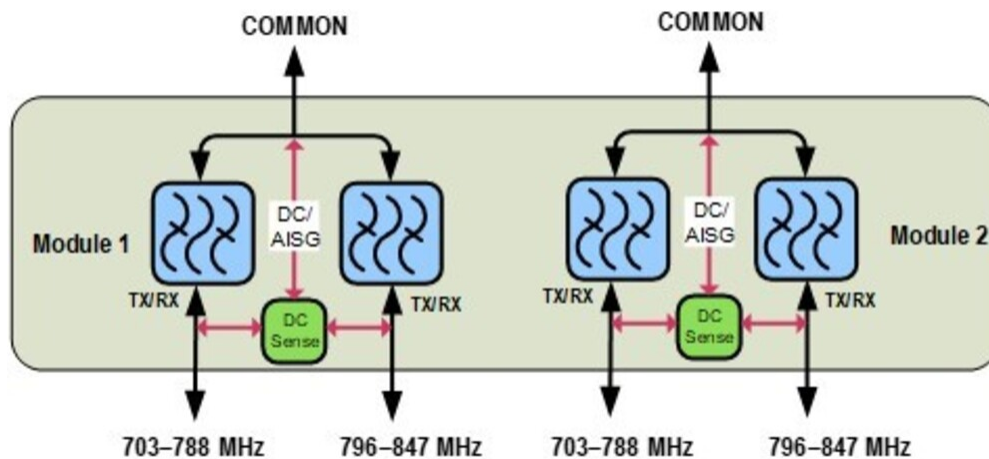
## Electrical Specifications

<b>Sub-module</b>	<b>1   2</b>	<b>1   2</b>
<b>Branch</b>	1	2
<b>Port Designation</b>	PORT 1 703-788	PORT 2 796-847

## Electrical Specifications, Band Pass

<b>Frequency Range, MHz</b>	<b>703–788</b>	<b>796–847</b>
<b>Insertion Loss, typical, dB</b>	0.2	0.3
<b>Return Loss, typical, dB</b>	20	20
<b>Isolation, typical, dB</b>	38	38
<b>Input Power, RMS, maximum, W</b>	200	200
<b>Input Power, PEP, maximum, W</b>	1000	1000
<b>3rd Order PIM, typical, dBc</b>	-162	-162
<b>3rd Order PIM Test Method</b>	2 x 20 W CW tones	2 x 20 W CW tones

## Block Diagram



## Environmental Specifications

<b>Operating Temperature</b>	-40 °C to +65 °C (-40 °F to +149 °F)
<b>Relative Humidity</b>	5%–100%
<b>Corrosion Test Method</b>	IEC 60068-2-11, 30 days
<b>Environmental Test Method</b>	ETSI EN 300 019-1-4
<b>Ingress Protection Test Method</b>	IEC 60529:2001, IP67

# E14F06P54

---

## Packaging and Weights

<b>Included</b>	Mounting hardware
<b>Volume</b>	4 L
<b>Weight, with mounting hardware</b>	4.3 kg   9.48 lb
<b>Weight, without mounting hardware</b>	4.1 kg   9.039 lb

## Regulatory Compliance/Certifications

<b>Agency</b>	<b>Classification</b>
ISO 9001:2015	Designed, manufactured and/or distributed under this quality management system