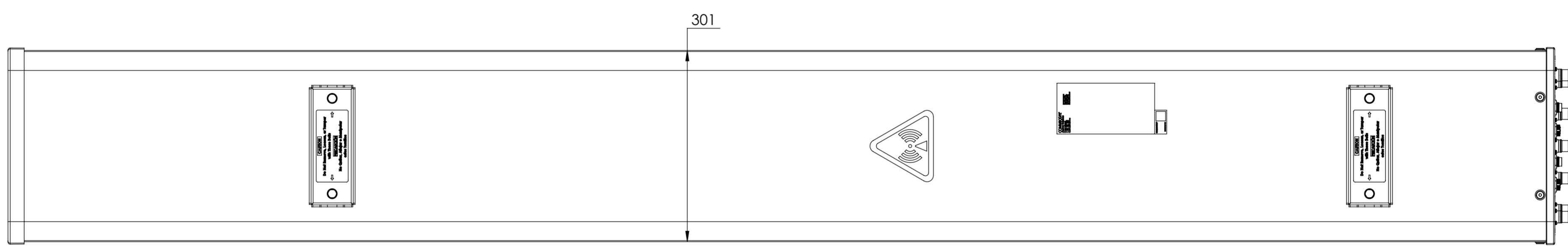
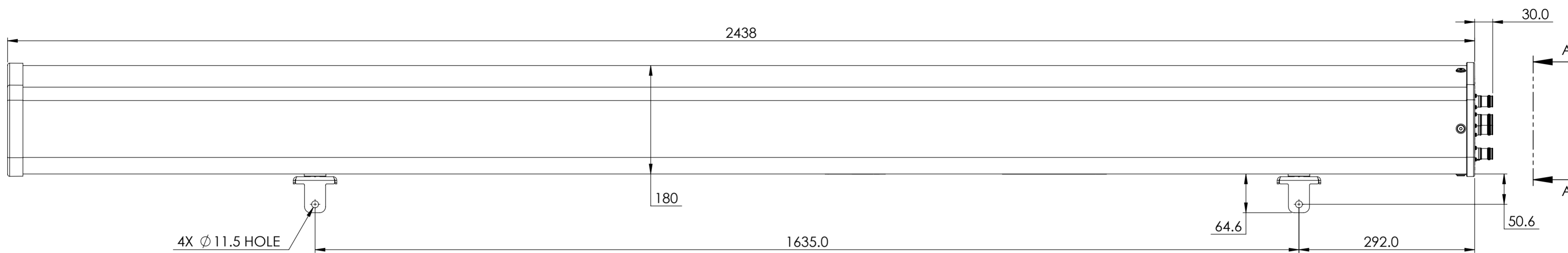
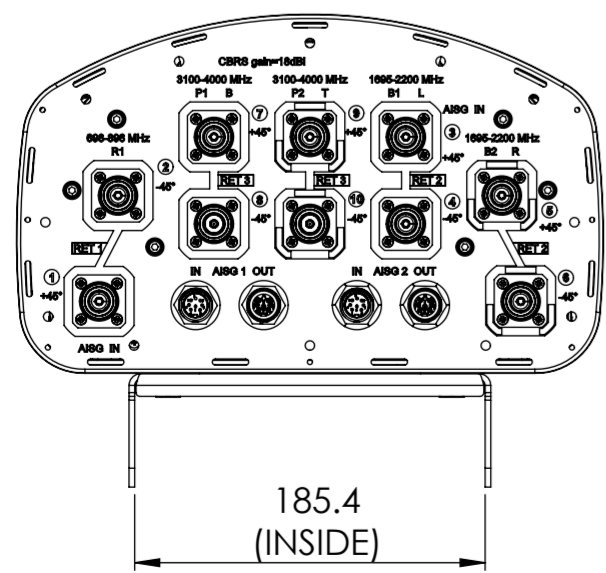


REVISIONS			
REV.	DESCRIPTION	DATE	APPROVED
A	ECR 12238PC: REL TO PRODUCTION PER EAO 609789.	10MAY21 FFJ	ZYL/YWQ



NHHSS-65C-R3B



VIEW A-A
SCALE 1 : 4

COMMSCOPE, INC. OF NORTH CAROLINA

TOLERANCES		SAP MATERIAL MASTER	
0 PLACE	X ±	2 PLACE	.XX ±
1 PLACE	.X ±	ANGLES	±
FINISH		MATERIAL	
<small>UNLESS OTHERWISE SPECIFIED DIMENSIONS ARE IN MILLIMETERS INTERPRET PER ISO STANDARDS HANDBOOK 1 TECHNICAL DRAWINGS VOLUMES 1 & 2, THIRD EDITION (2002)</small>		NAME	DATE
		CE	FFAN2 05/10/2021
		RW	FFAN2 06/01/2021
		AD	ZL8001 06/04/2021
RE	ZHHCHEN 06/06/2021	PRODUCT DRAWING SCALE 1:5 DOCUMENT NO. NHHSS-65C-R3B-L	
ECN 12238PC			
SIZE	WORK AREA	BSA	MODEL
A2			VERSION
			STATUS
REVISION	REVISION	VERSION	STATUS
00	RE	A	00
DRAWING		REVISION	
RE	A	00	A
SHEET			1 OF 1

DENSITY	g/mm ³
MASS	grams
VOLUME	mm ³
SURFACE AREA	mm ²
HEIGHT	
LENGTH	
WIDTH	